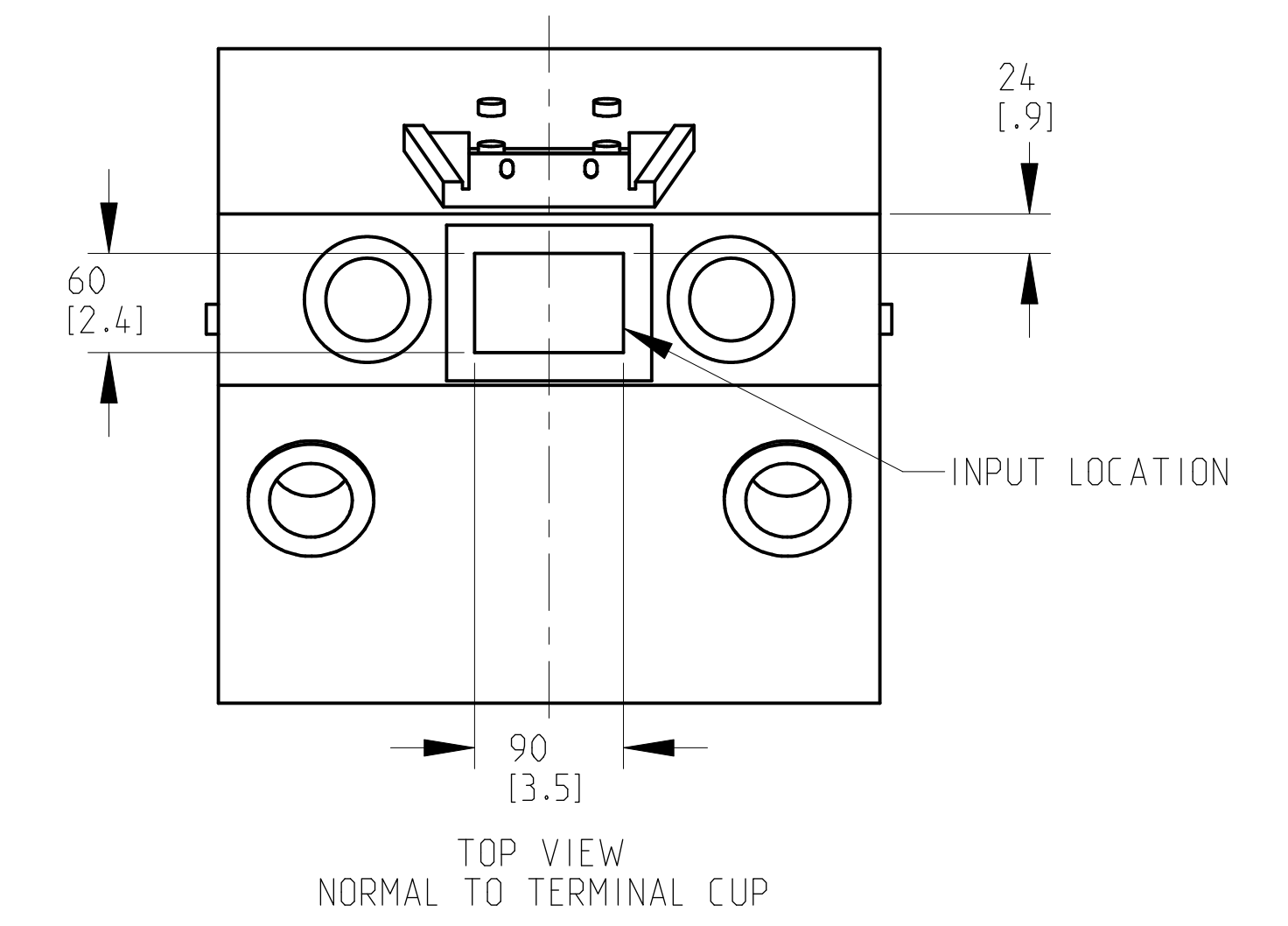
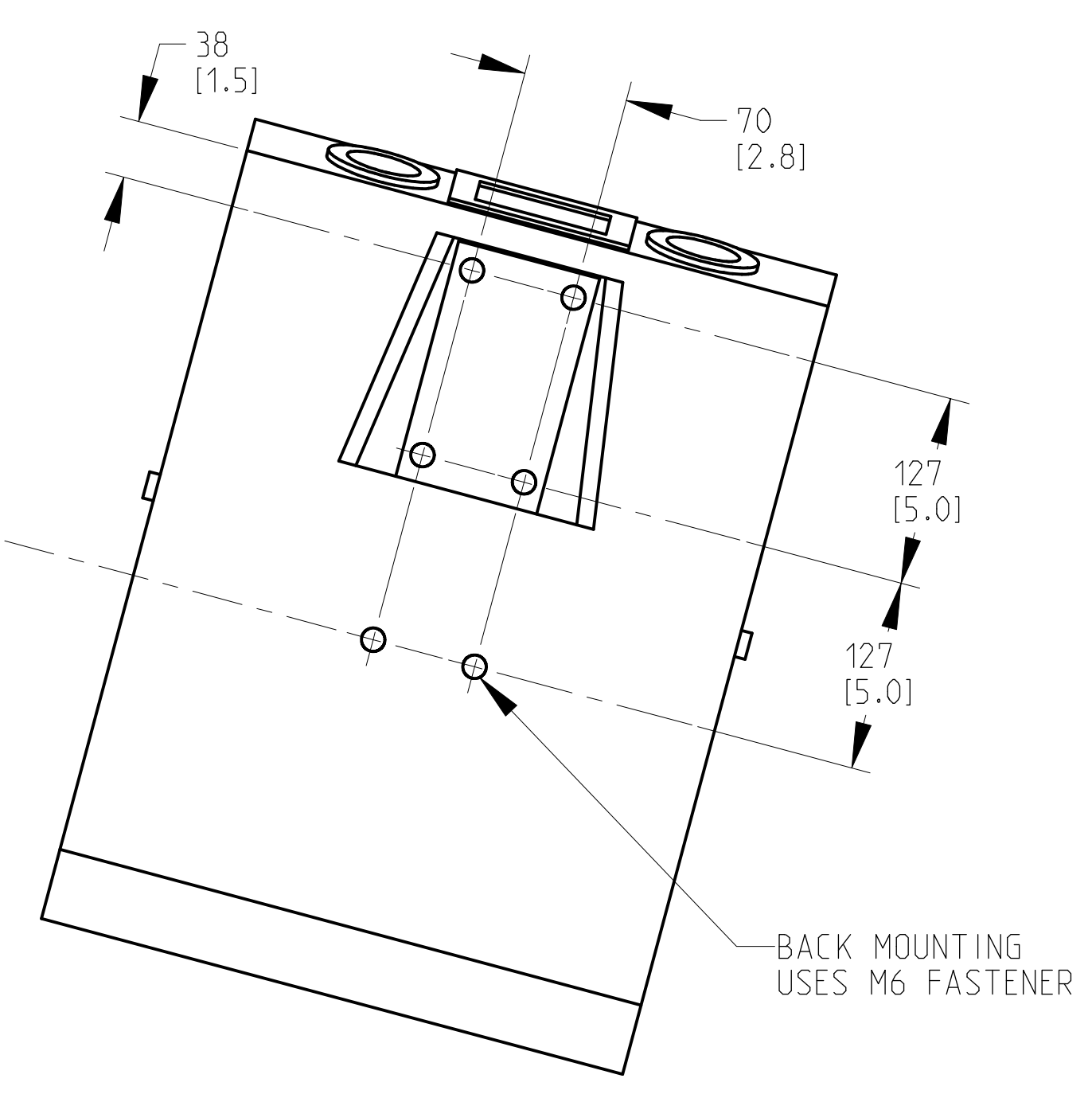
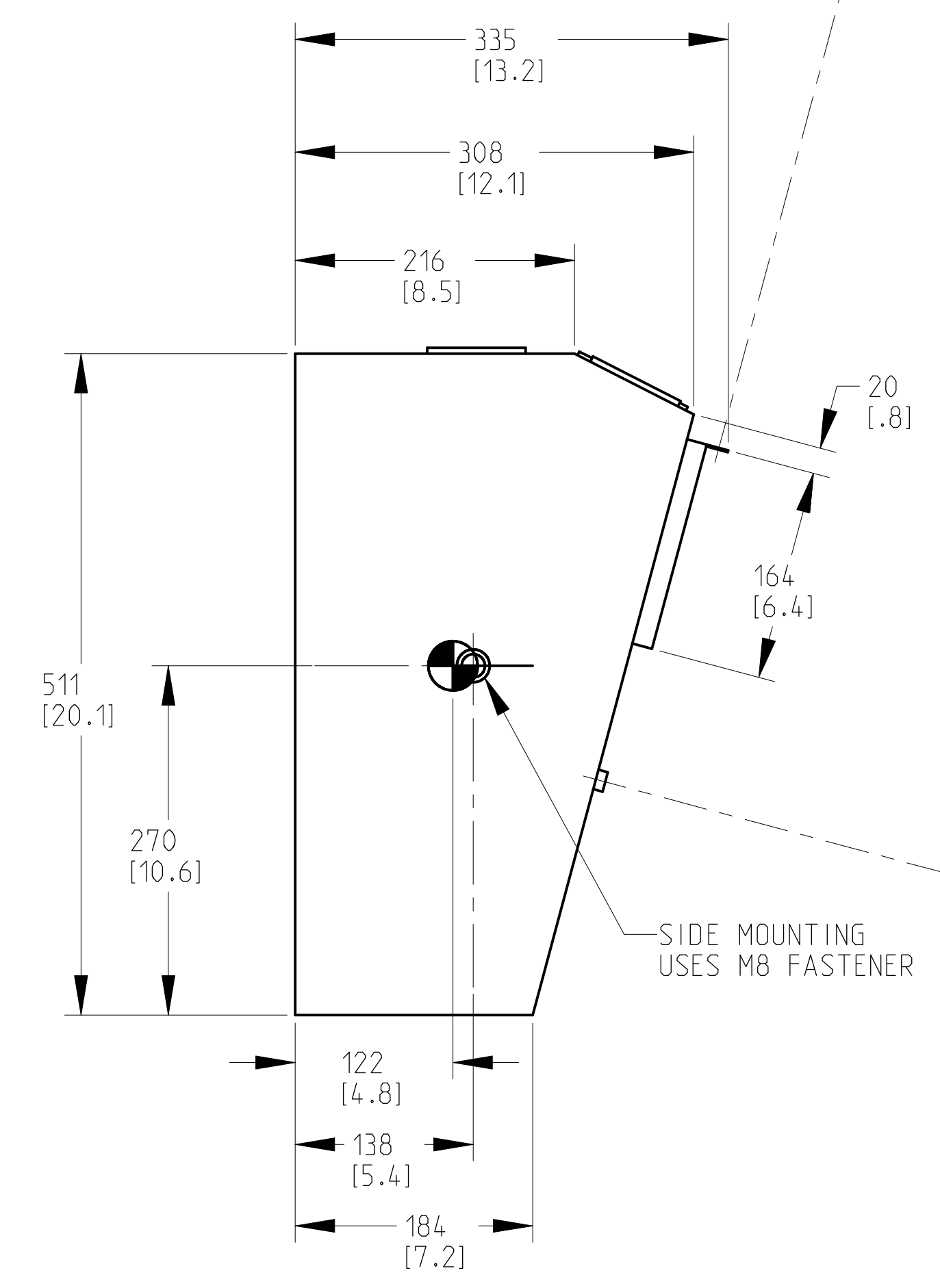
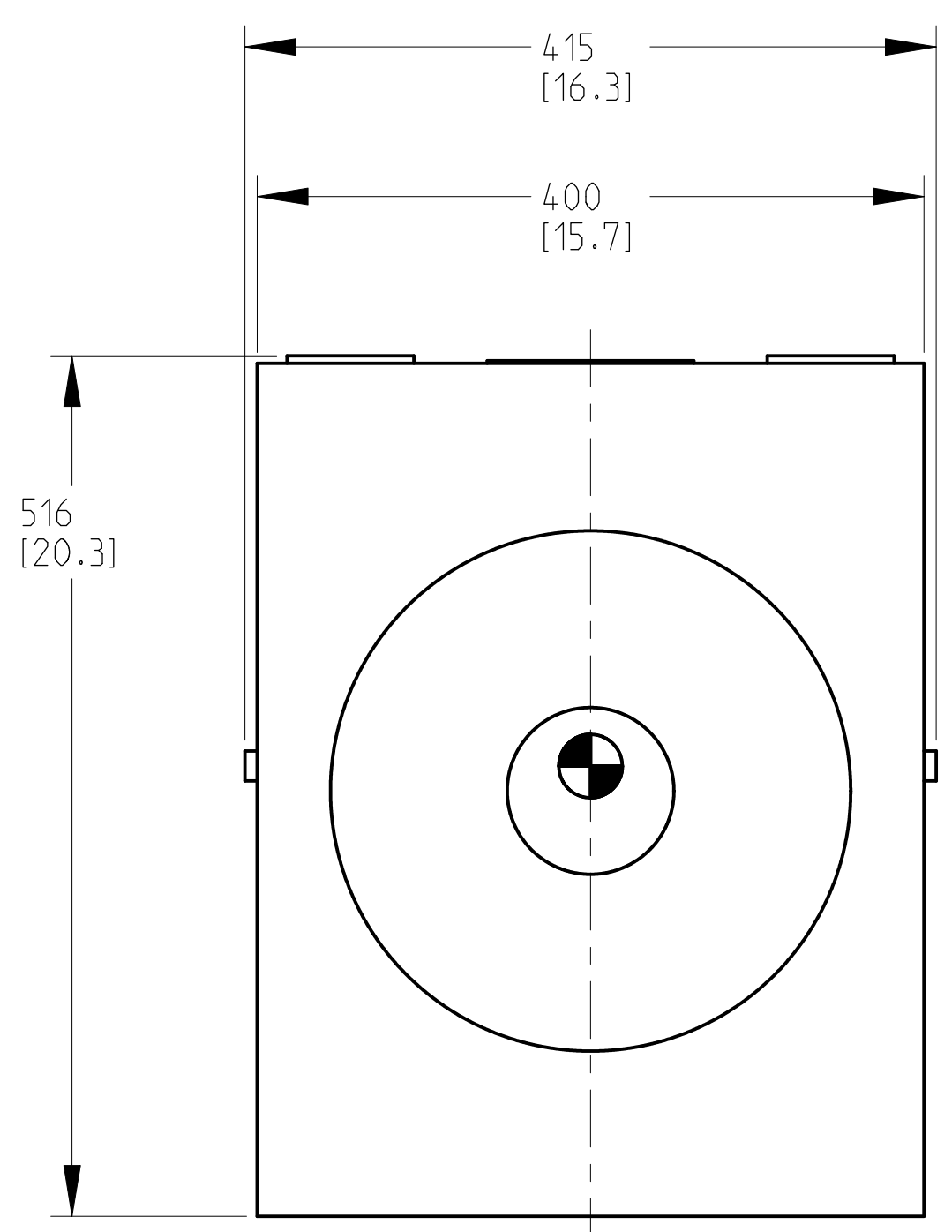
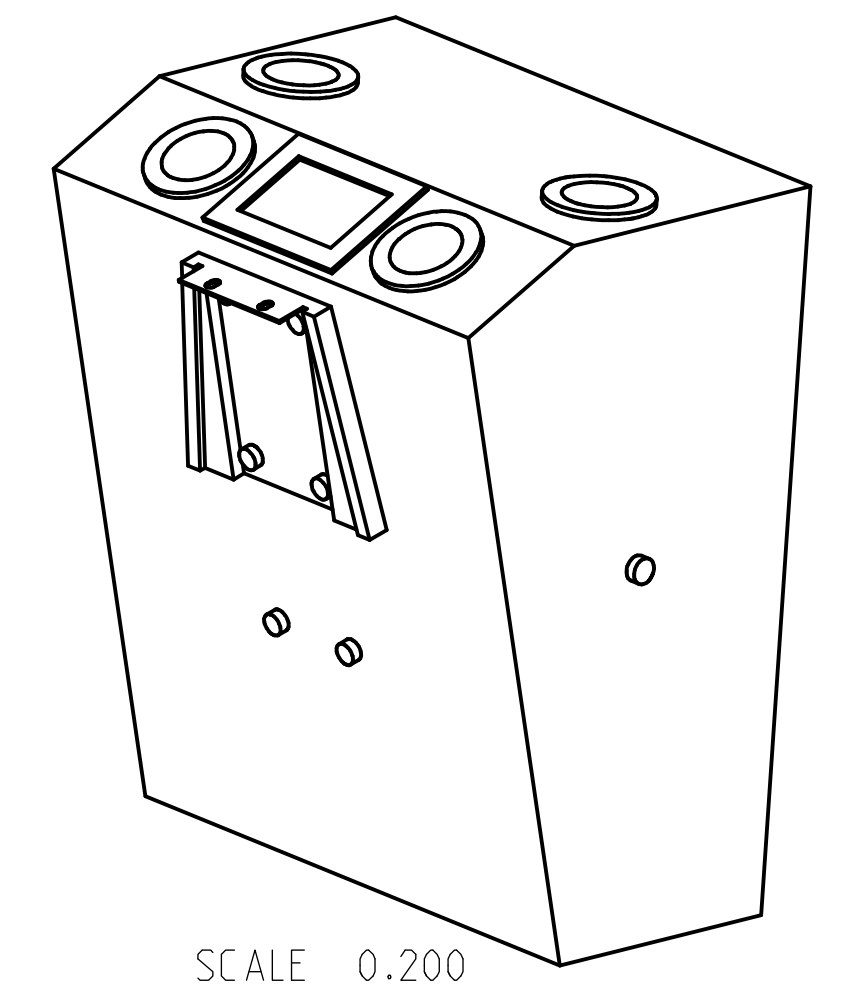
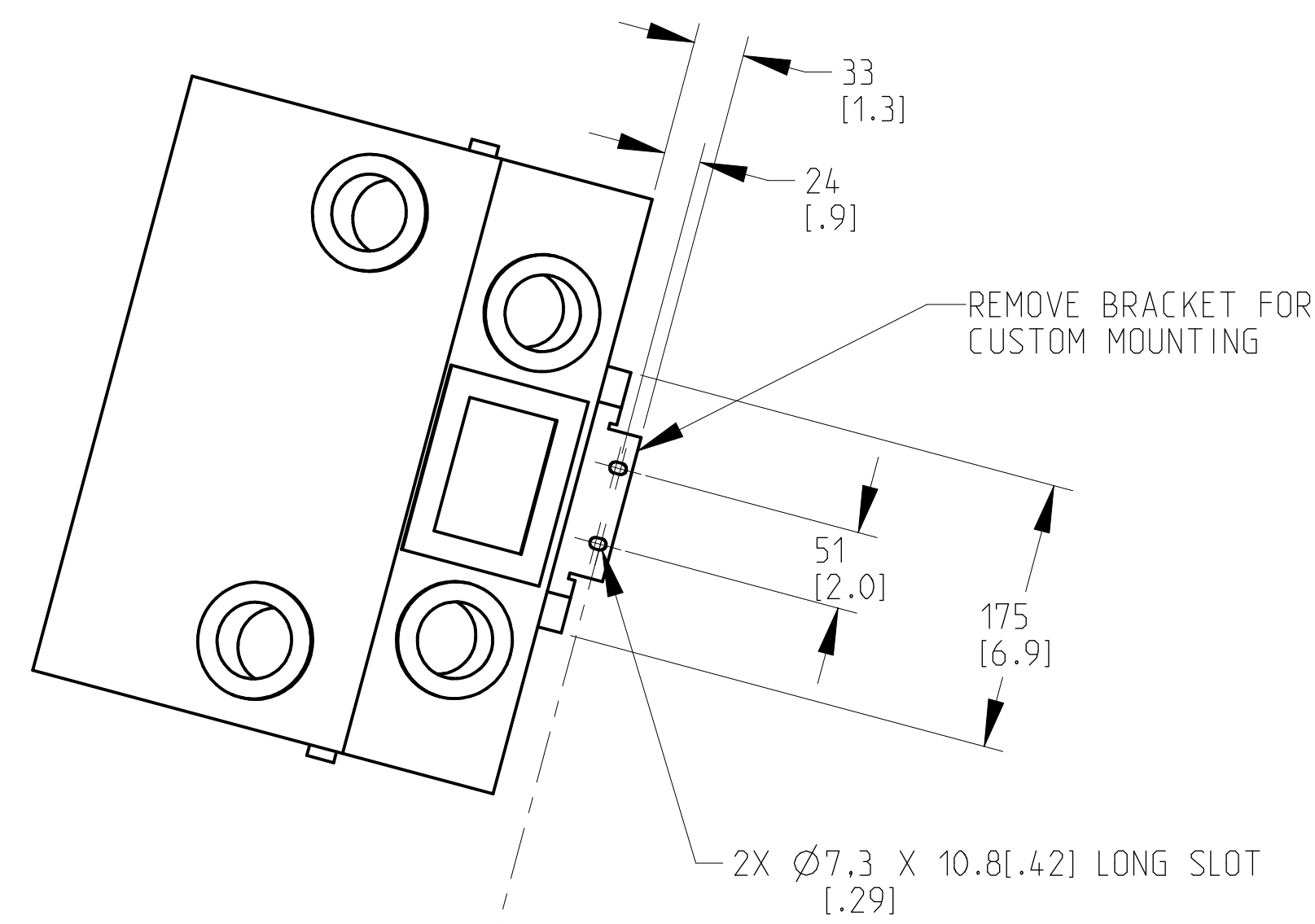


THIS DOCUMENT CONTAINS PROPRIETARY INFORMATION WHICH IS THE PROPERTY OF QSC AUDIO PRODUCTS. THAT MAY NOT BE DISCLOSED, REPRODUCED OR USED WITHOUT EXPRESS WRITTEN CONSENT FROM QSC AUDIO PRODUCTS.

REVISIONS					
REV	ECO	DESCRIPTION	BY	EFF DATE	ISSUED
A	-	RELEASE FOR MARKETING DATA			



- 6. GRILL NOT SHOWN FOR CLARITY.
 - 5. PARTS ARE SYMMETRICAL ABOUT CENTER LINES UNLESS OTHERWISE NOTED.
 - 4. SYMBOL \oplus INDICATES CENTER OF BALANCE.
 - 3. SYMBOL \odot INDICATES SUSPENSION POINT OF M8 THREAD, 2 PLACES.
 - 2. TOLERANCES ARE IN MILLIMETER: X.X ± 0.5, ANGLES: ± 1°.
 - 1. NET WEIGHT APPROX 34 LBS (15 KG)
- NOTE: UNLESS OTHERWISE SPECIFIED

UNLESS OTHERWISE SPECIFIED DIMENSIONS IN MILLIMETERS (MM) TOLERANCES ARE: DECIMALS DECIMALS ANGLES .X±.5(.02) .XX±.25(.010) ± 1/2 DEBURR EDGES: 25° (1.010) R MAX	APPROVALS	DATE (DD-MMM-YY)	<p>QSC AUDIO PRODUCTS, LLC 1675 MACARTHUR BOULEVARD COSTA MESA, CA 92626</p> <p>SPEAKER, FINISHED, SR-1290</p>								
	DRAWN V. VU	27-MAY-14									
	CHECKED										
	MFG ENG										
MATERIAL	QA CHECK		<table border="1"> <tr> <td>SIZE</td> <td>CAGE CODE</td> <td>DRAWING NO.</td> <td>REV</td> </tr> <tr> <td>D</td> <td>00PW4</td> <td>FG-001265-2D</td> <td>A</td> </tr> </table>	SIZE	CAGE CODE	DRAWING NO.	REV	D	00PW4	FG-001265-2D	A
SIZE	CAGE CODE	DRAWING NO.	REV								
D	00PW4	FG-001265-2D	A								
FINISH	DRAWING INFO: FG-001265-2D.A.7	MODEL INFO: FG-001265-3D.A.4	<table border="1"> <tr> <td>SCALE: 0.250</td> <td>DO NOT SCALE DRAWING</td> <td>SHEET 1 OF 1</td> </tr> </table>	SCALE: 0.250	DO NOT SCALE DRAWING	SHEET 1 OF 1					
SCALE: 0.250	DO NOT SCALE DRAWING	SHEET 1 OF 1									