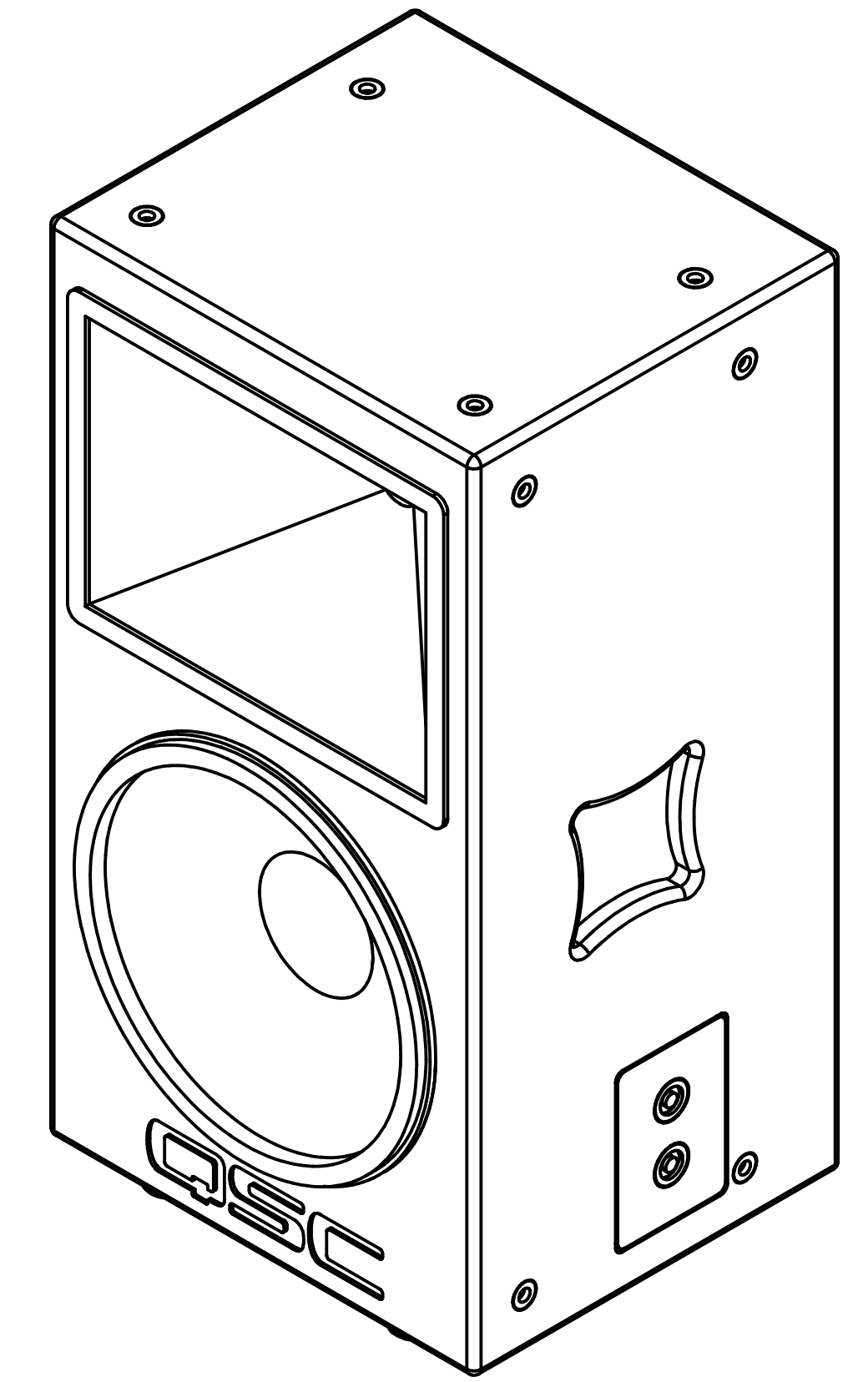
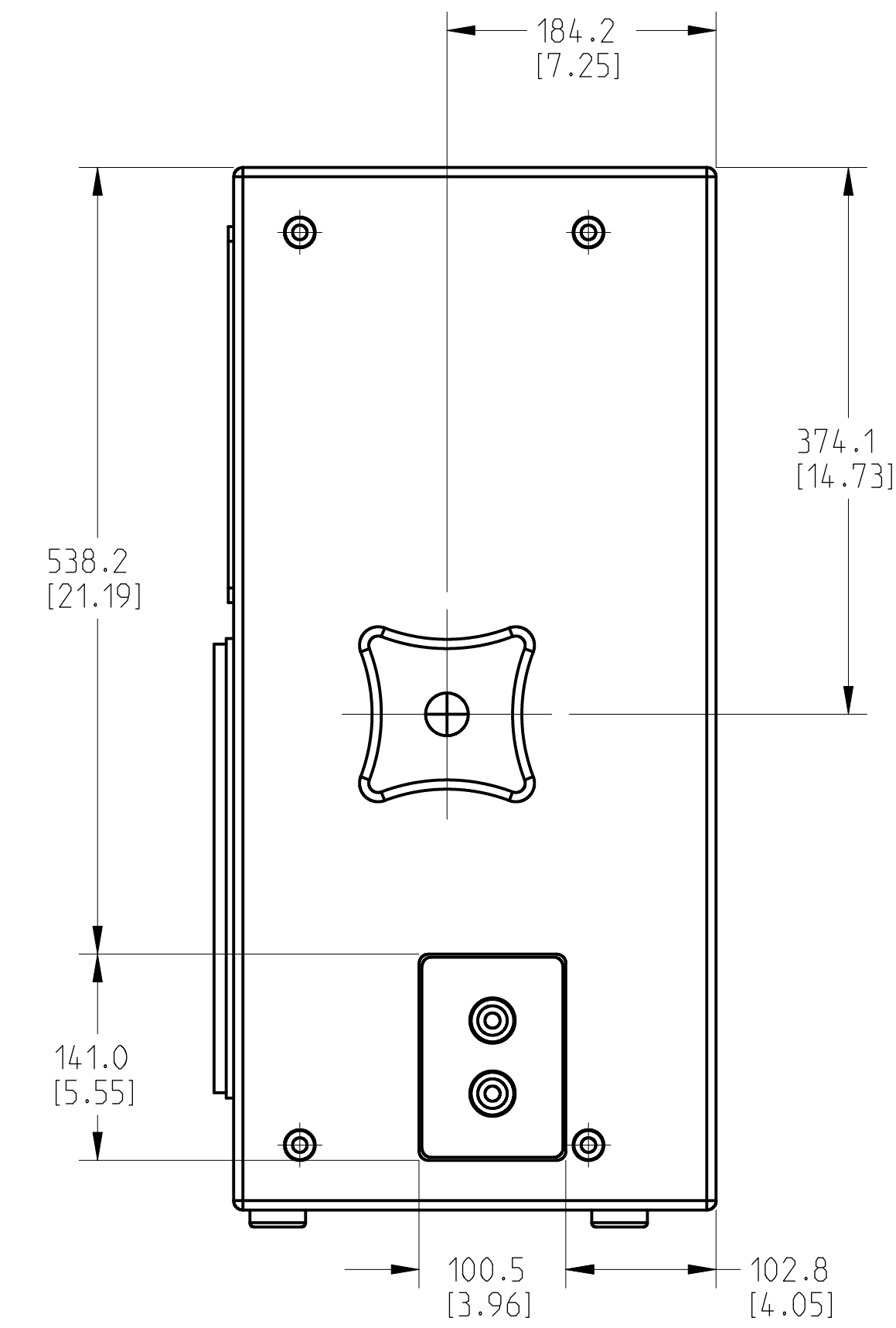
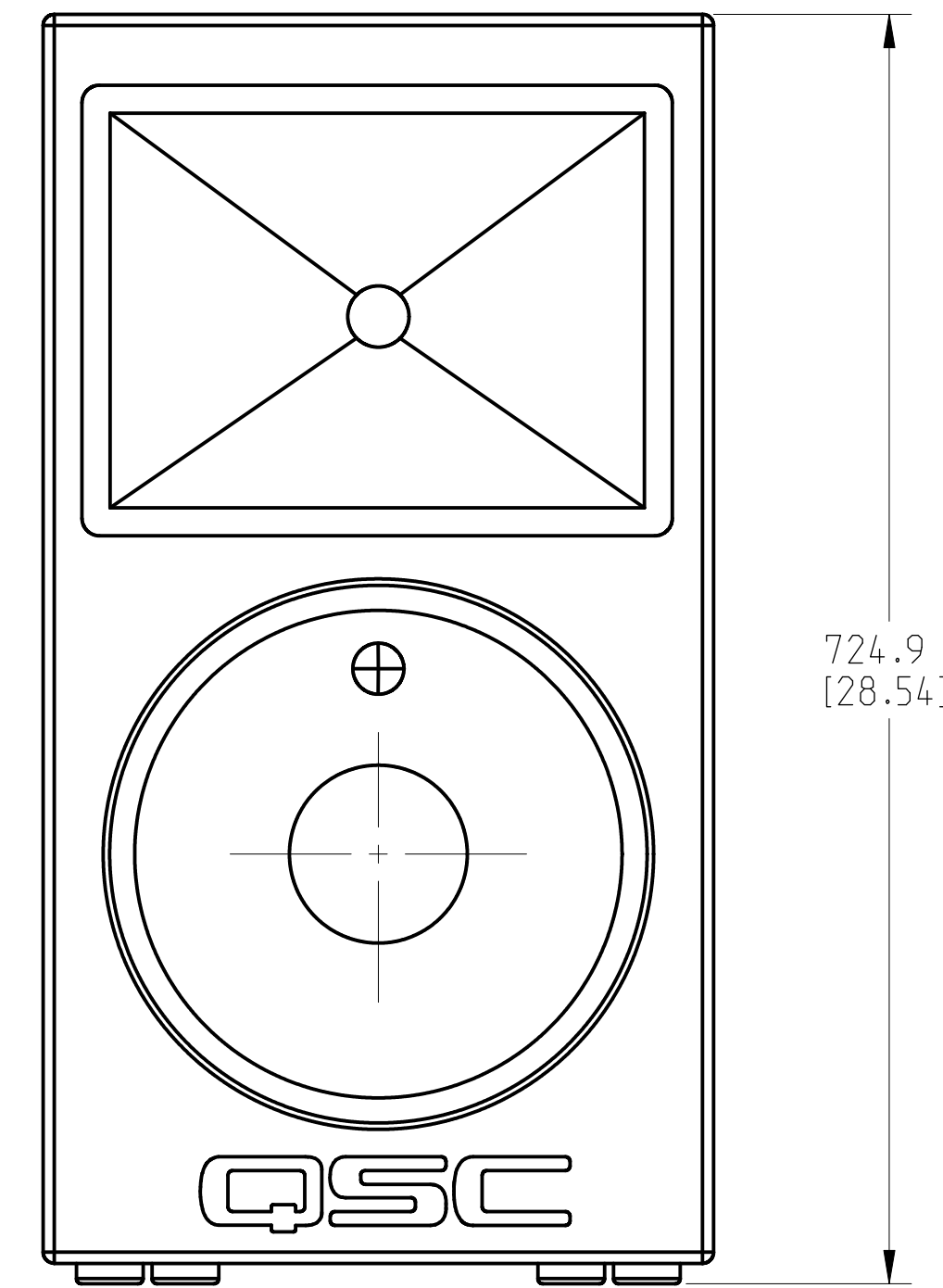
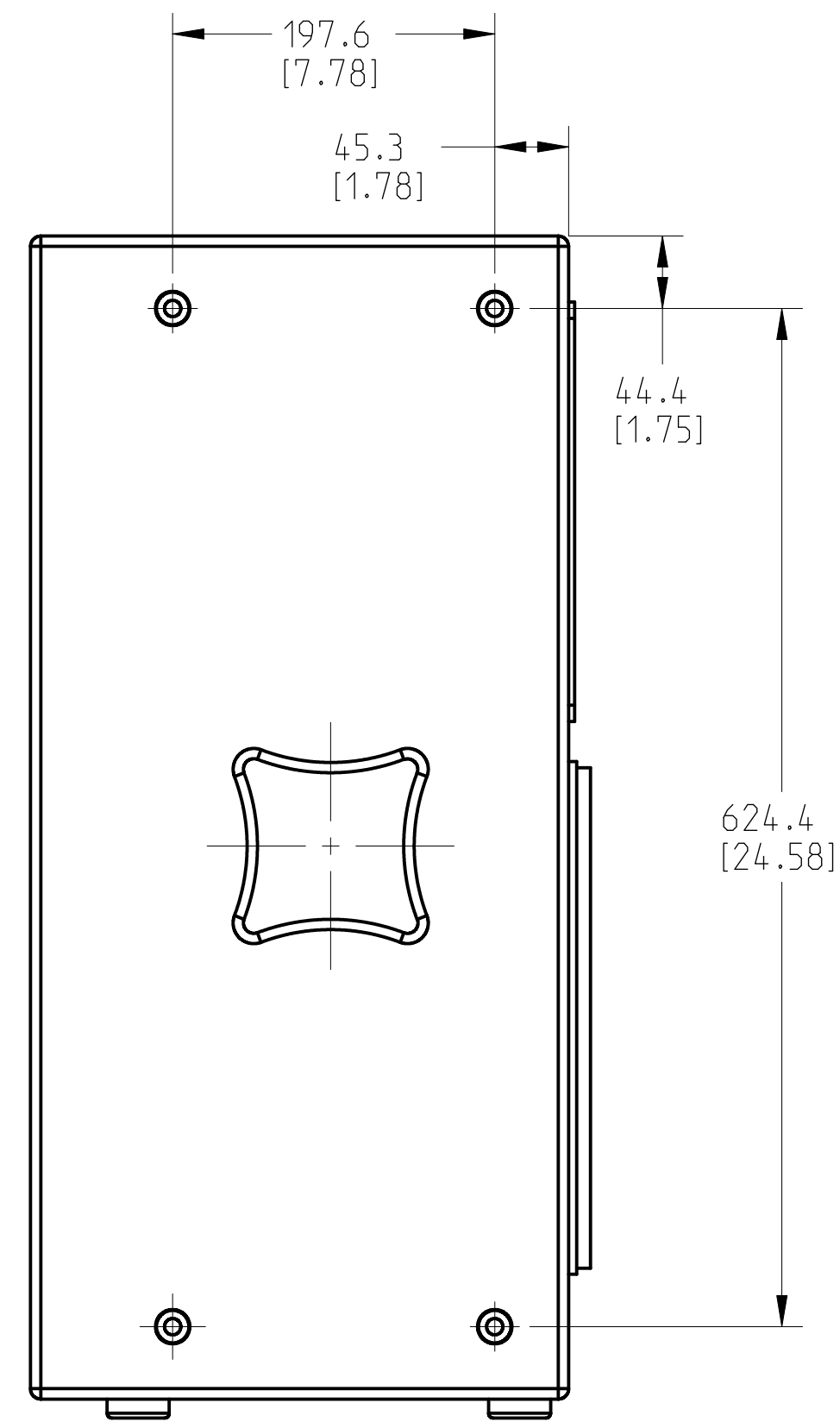
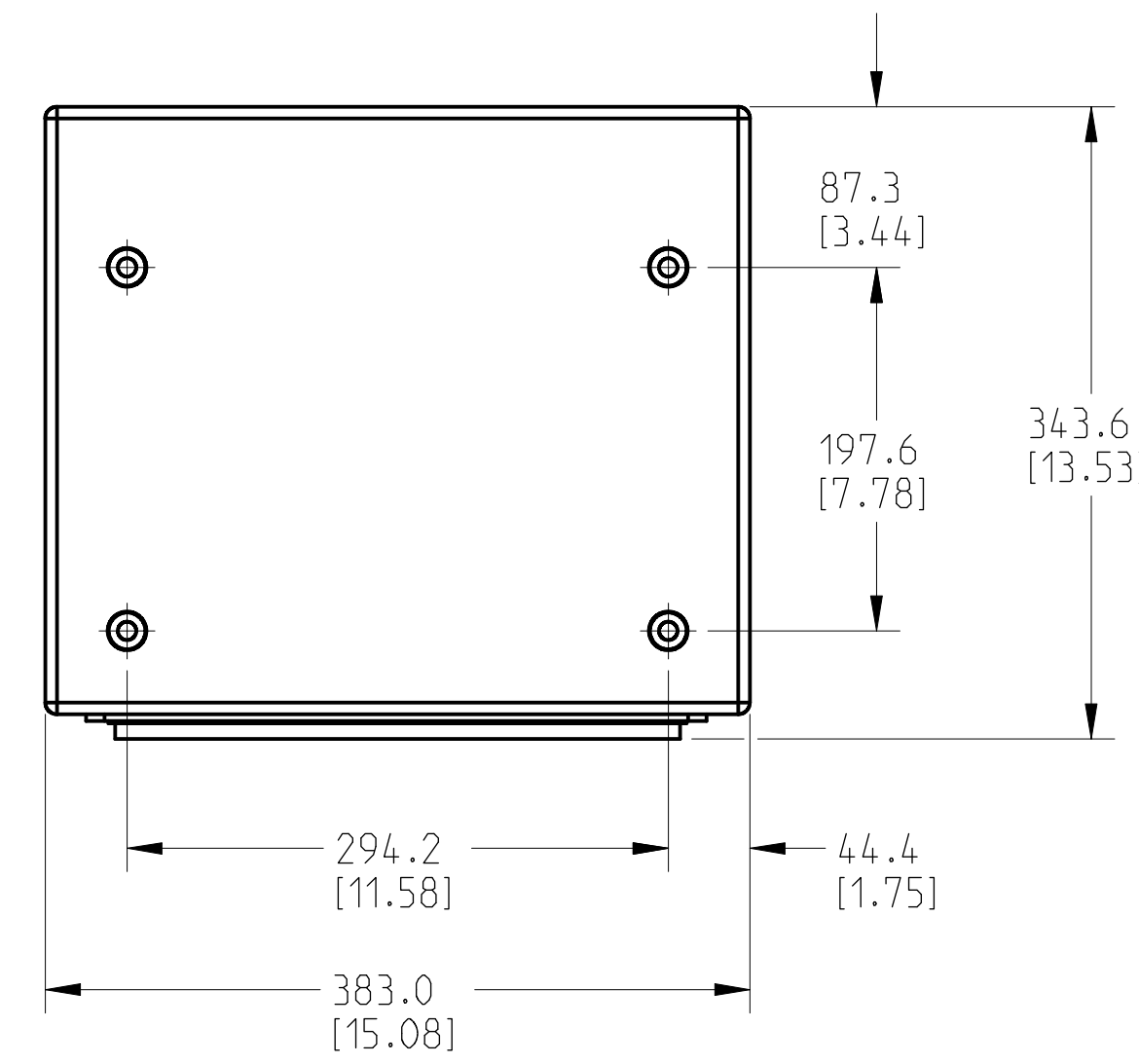


THIS DOCUMENT CONTAINS PROPRIETARY INFORMATION WHICH IS THE PROPERTY OF QSC AUDIO PRODUCTS. THAT MAY NOT BE DISCLOSED, REPRODUCED OR USED WITHOUT EXPRESS WRITTEN CONSENT FROM QSC AUDIO PRODUCTS.

REVISIONS					
REV	ECO	DESCRIPTION	BY	EFF DATE	ISSUED
A	-	RELEASE		-	-



RSC112

5. PARTS ARE SYMMETRICAL ABOUT CENTER LINES UNLESS OTHERWISE NOTED.
  4. SYMBOL ⊕ INDICATES CENTER OF BALANCE.
  3. SYMBOL ⊙ INDICATES SUSPENSION POINT.  
16 TOTAL: M10-1.5 THD.
  2. TOLERANCES (MM): X ± 5. ANGLES: ± 1°.
  1. NET WEIGHT APPROX. 30.1 / 66.4 (KG/LBS).
- NOTE: UNLESS OTHERWISE SPECIFIED

UNLESS OTHERWISE SPECIFIED DIMENSIONS IN MILLIMETERS (IN) TOLERANCES ARE: DECIMALS .X±.5(0.01) ANGLES ± 1/2 DECORR EDGES .25 (1.010) R MAX	APPROVALS	DATE (DD-MMM-YY)	<b>QSC AUDIO PRODUCTS, LLC</b> 1675 MACARTHUR BOULEVARD COSTA MESA, CA 92626
	DRAWN ENG. SERVICES		
	CHECKED M. Mayfield	09/06/13	
	MFG ENG NA	-	
MATERIAL	QA CHECK NA	-	<b>SPEAKER, FINISHED, RSC112</b>
FINISH	DRAWING INFO: FG-002112-2D.A.0	SCALE: DO NOT SCALE DRAWING	
	MODEL INFO: FG-002112-3D.A.0		SIZE: D CAGE CODE: 00PW4 DRAWING NO.: FG-002112-2D SHEET: 1 OF 1