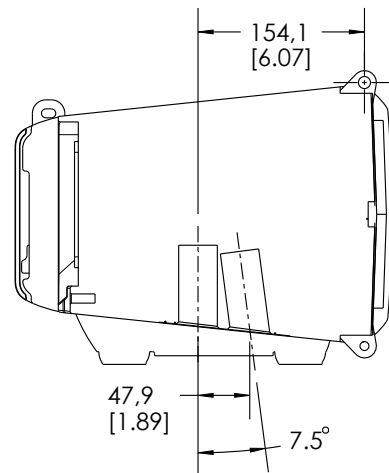
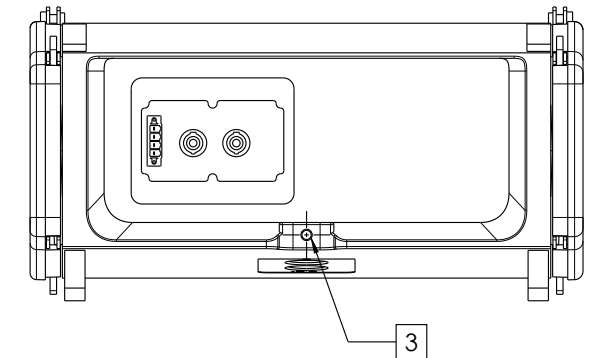
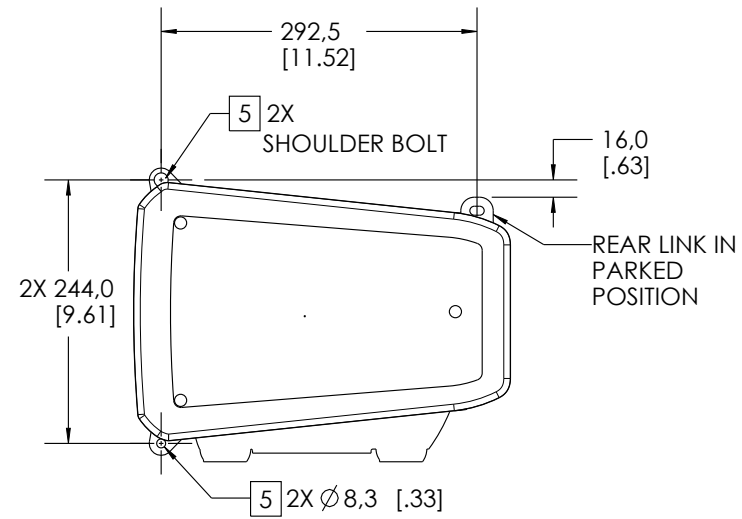
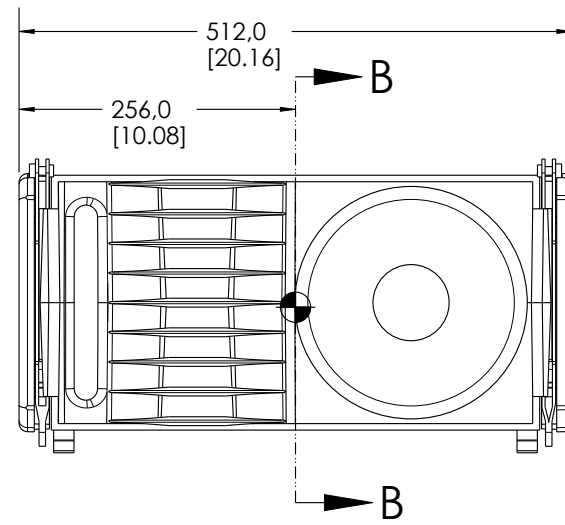
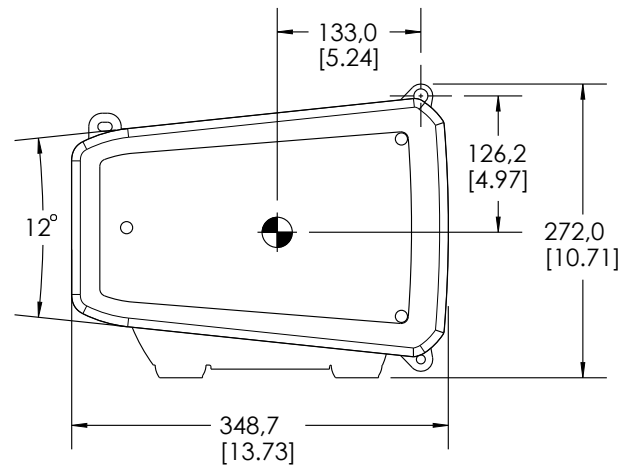
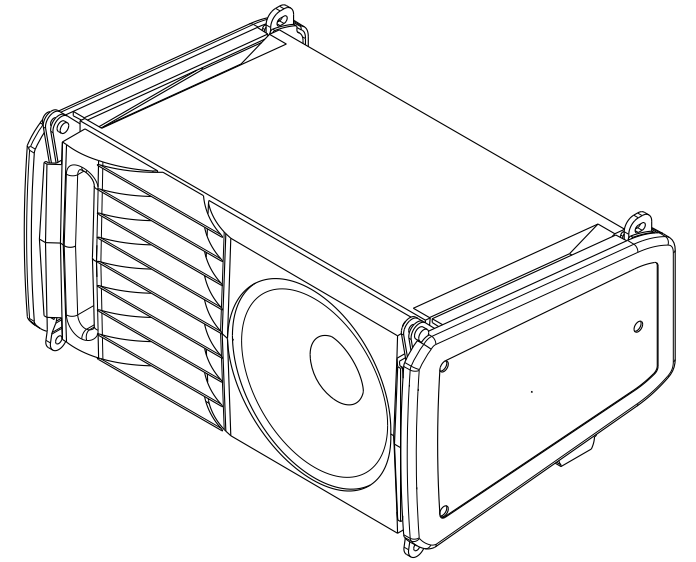


NOTES: UNLESS OTHERWISE SPECIFIED

1. NET WEIGHT APPROX. 12.4 KG [27.3 LBS].
2. SYMBOL ● INDICATES CENTER OF GRAVITY.
3. SYMBOL ◎ INDICATES SUSPENSION POINT, M10 THREAD, 1 PLACE.
4. POLE MOUNT LOCATION, 2 PLACES.
5. FRONT SUSPENSION MOUNTING LOCATIONS, 4 PLACES.
REAR SUSPENSION MOUNTING LOCATIONS HIDDEN BY REMOVABLE SIDE COVERS.
6. GRILLE NOT SHOWN FOR CLARITY.



SECTION B-B

