
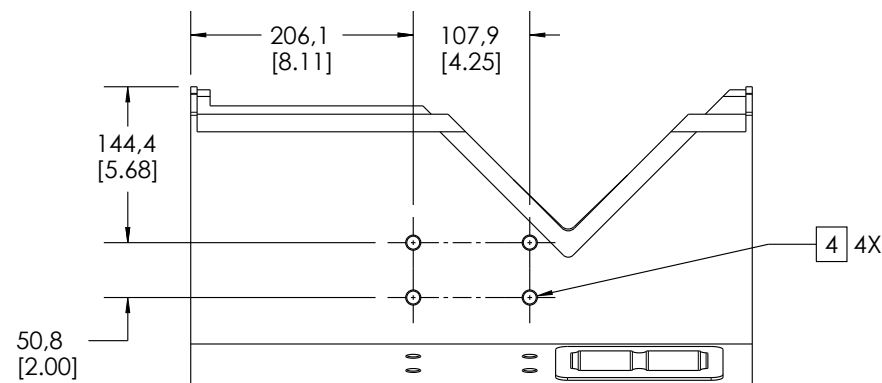
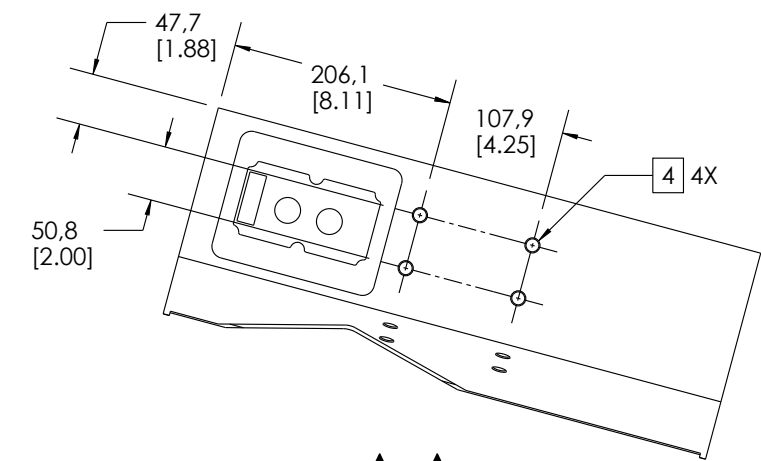
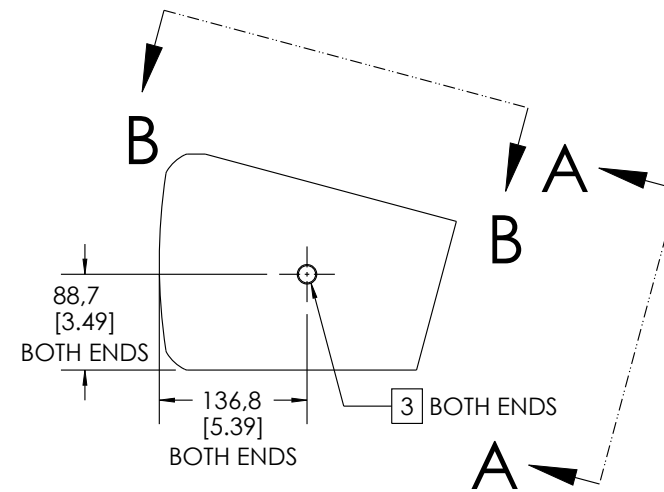
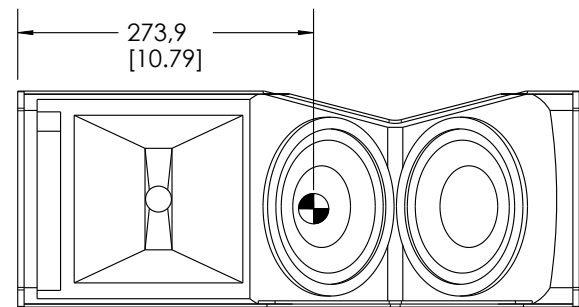
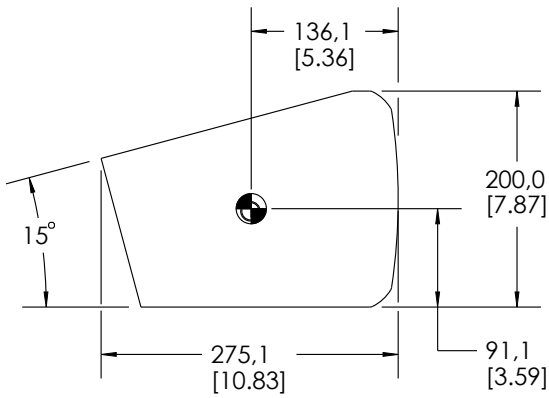
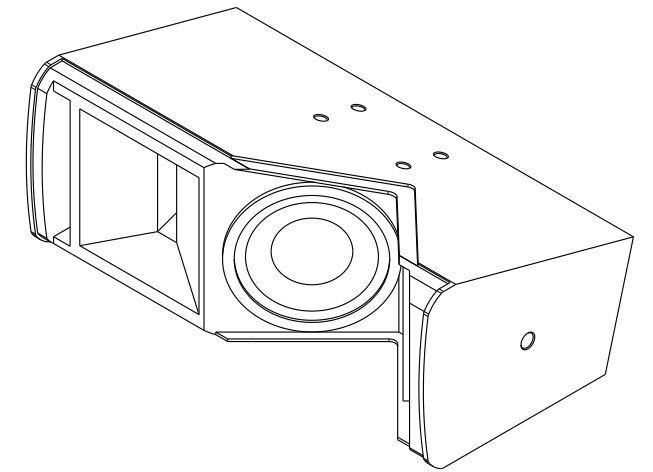
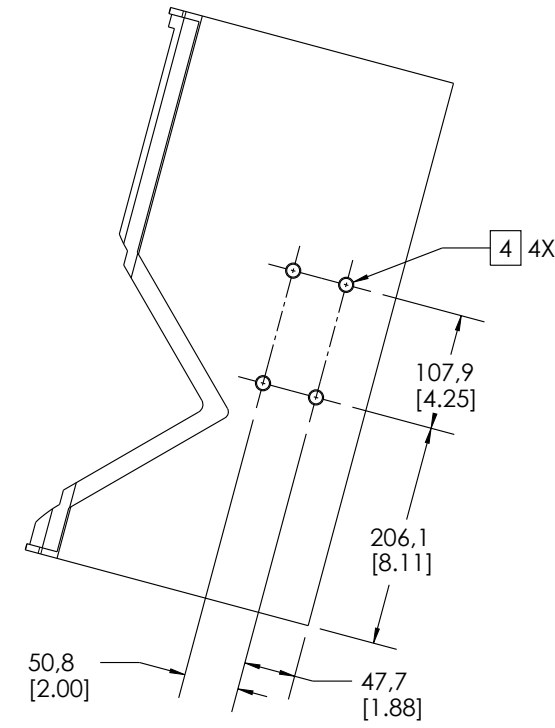
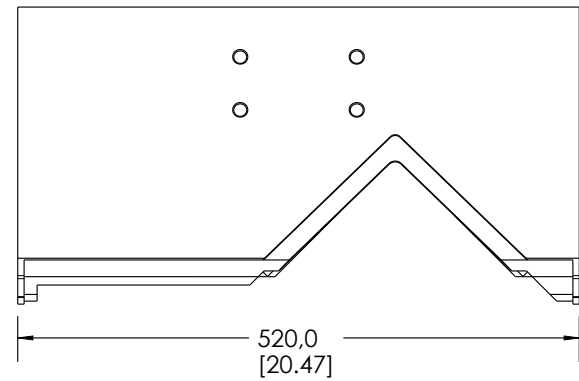


NOTES: UNLESS OTHERWISE SPECIFIED

1. NET WEIGHT APPROX. 11.5 KG [25.3 LBS].
2. SYMBOL  INDICATES CENTER OF GRAVITY.
3. SUSPENSION POINT LOCATION, M8 THREAD.
4. SUSPENSION POINT LOCATION, M6 THREAD.
5. GRILLE NOT SHOWN FOR CLARITY.



VIEW A-A