
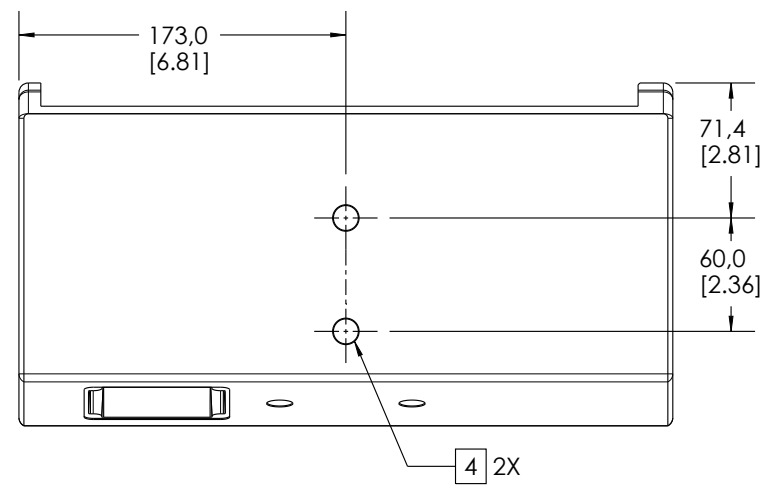
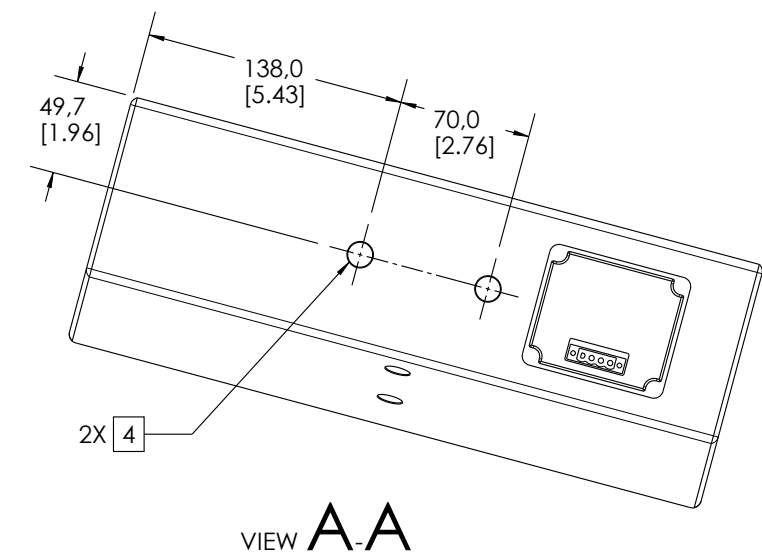
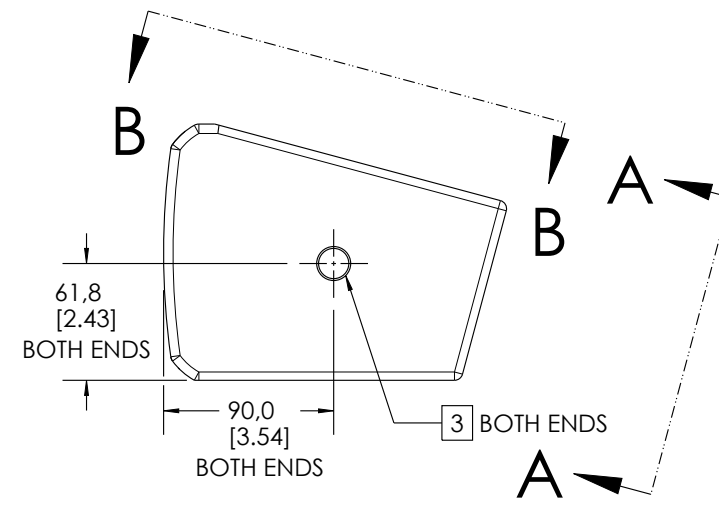
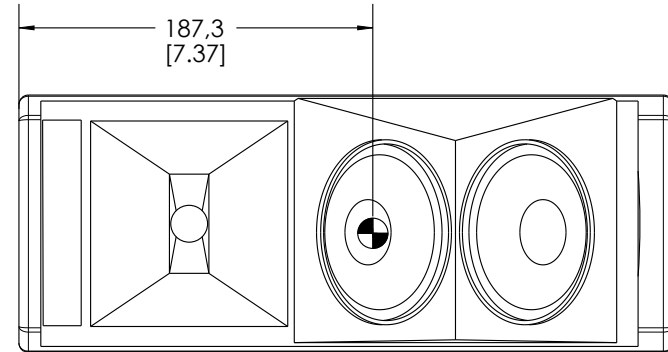
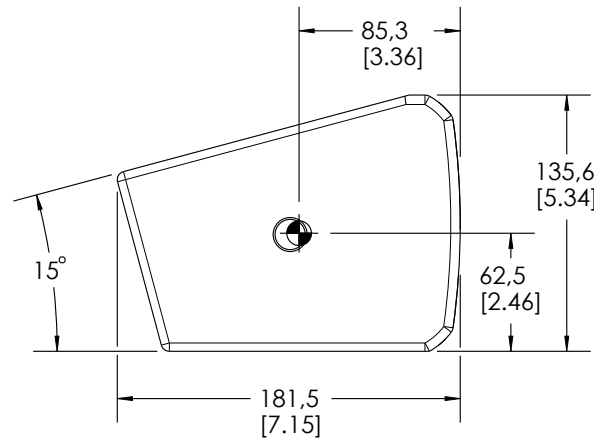
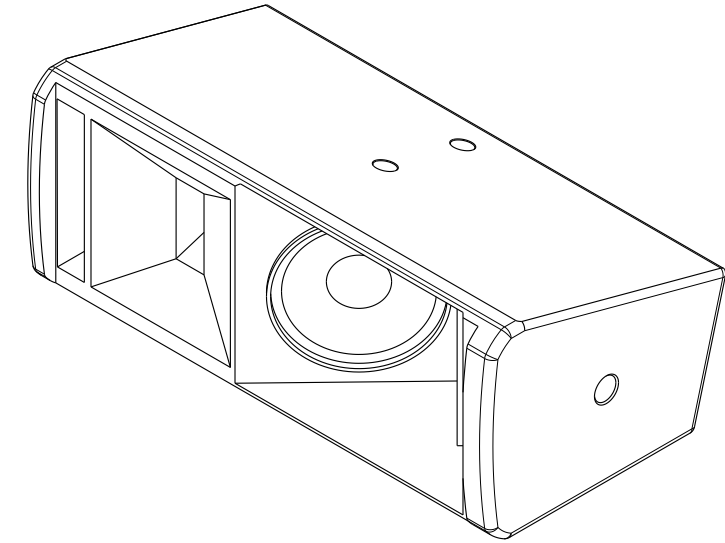
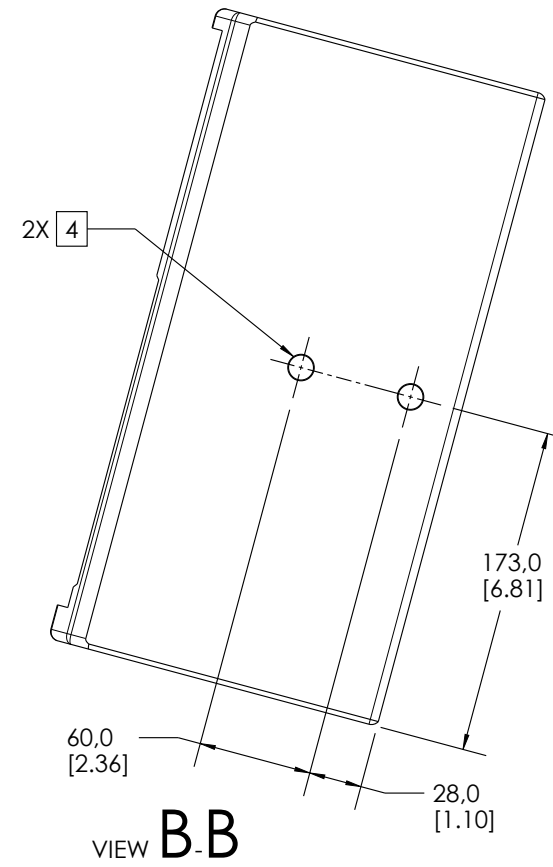
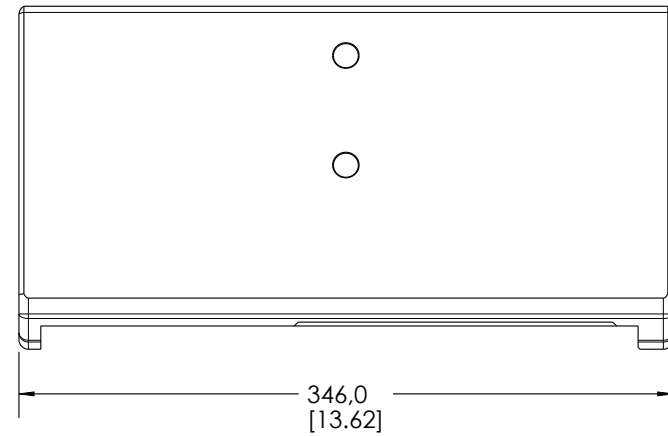


NOTES: UNLESS OTHERWISE SPECIFIED

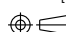
1. NET WEIGHT APPROX. 3.9 KG [8.7 LBS].
2. SYMBOL  INDICATES CENTER OF GRAVITY.
3. SUSPENSION POINT LOCATION, M8 THREAD.
4. SUSPENSION POINT LOCATION, M6 THREAD.
5. GRILLE NOT SHOWN FOR CLARITY.



QSC, LLC
1675 MACARTHUR BOULEVARD
COSTA MESA, CA 92626 USA

THIS DOCUMENT CONTAINS CONFIDENTIAL OR PROPRIETARY INFORMATION WHICH IS THE PROPERTY OF QSC, LLC. THAT MAY NOT BE DISCLOSED, REPRODUCED OR USED WITHOUT EXPRESS WRITTEN CONSENT FROM QSC, LLC. NO PORTION OF THIS DOCUMENT MAY BE REPRODUCED, REDISTRIBUTED, OR OTHERWISE DISCLOSED TO ANY THIRD PARTY WITHOUT QSC'S WRITTEN PERMISSION.

CAGE CODE
00PW4
FORM
QOS40169 B

UNLESS OTHERWISE SPECIFIED
DIMENSIONS ARE IN MM [IN]
PROJECTION 

TOLERANCES ARE:
DECIMALS ANGLES
.X ± 3.0 [.12] ± 1°
.XX ±

DRAWN BY
M. DAVILA
MECH ENGINEER
B. HAWKINS

TECH DIRECTOR
R. VAUCHER
MFG ENGINEER
A. TRAN

REV BY
MD
REV DATE
09-JAN-2024

LOUDSPEAKER, PL-DC24, 4"
2-WAY

DRAWING NUMBER FG-901545-2D	REV A
SCALE: 1:4	SHEET: 1 OF 1