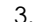
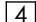
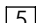
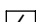
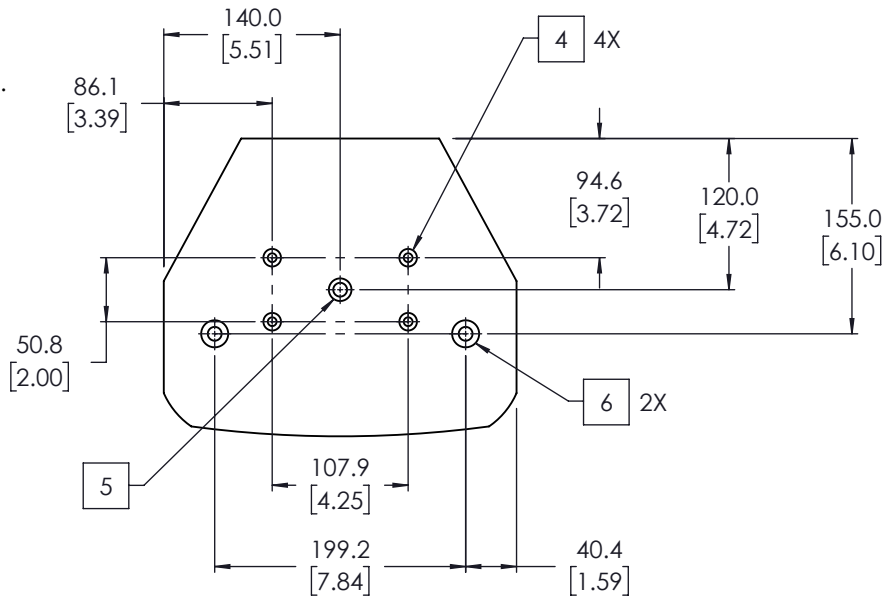
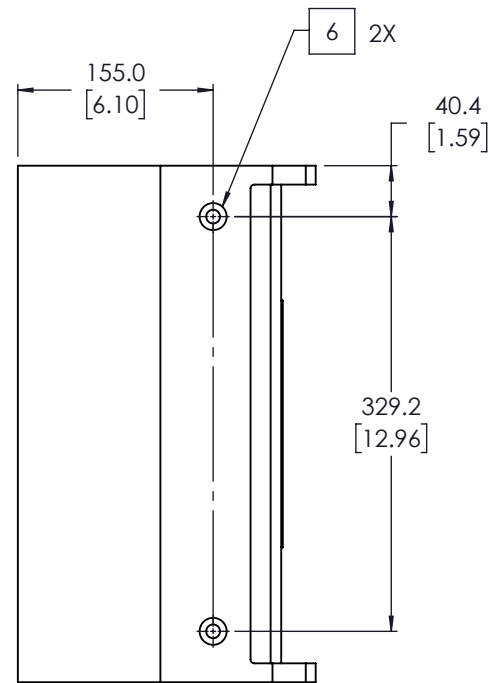
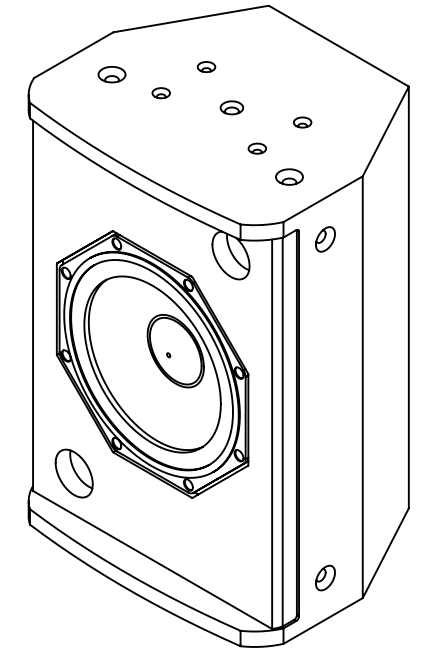


NOTES: UNLESS OTHERWISE SPECIFIED

1. NET WEIGHT APPROX. 11.9 KG [26.3 LBS].
2. PARTS ARE SYMMETRICAL ABOUT CENTER LINES UNLESS OTHERWISE NOTED.
3. SYMBOL  INDICATES CENTER OF GRAVITY.
4. SYMBOL  INDICATES SUSPENSION POINT.
5. 12 TOTAL: M6-1 THD
6. SYMBOL  INDICATES SUSPENSION POINT.
7. 2 TOTAL: M8-1.25 THD
8. SYMBOL  INDICATES SUSPENSION POINT.
9. 9 TOTAL: M10-1.5 THD
7. GRILLE NOT SHOWN FOR CLARITY.



DIMENSIONS TYP BOTH SIDES



DIMENSIONS TYP BOTH SIDES

