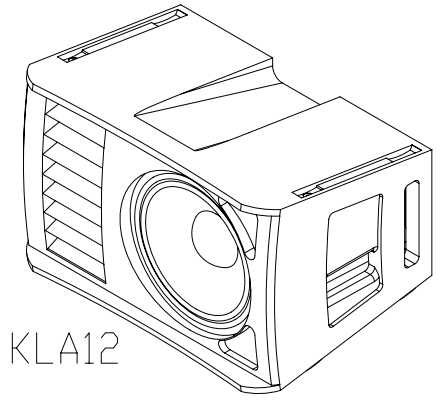
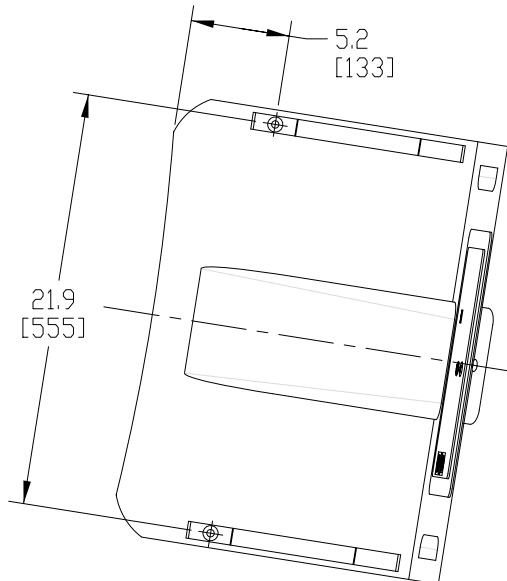


THIS DOCUMENT CONTAINS PROPRIETARY INFORMATION WHICH IS THE PROPERTY OF QSC AUDIO PRODUCTS, THAT MAY NOT BE DISCLOSED, REPRODUCED OR USED WITHOUT EXPRESS WRITTEN CONSENT FROM QSC AUDIO PRODUCTS.

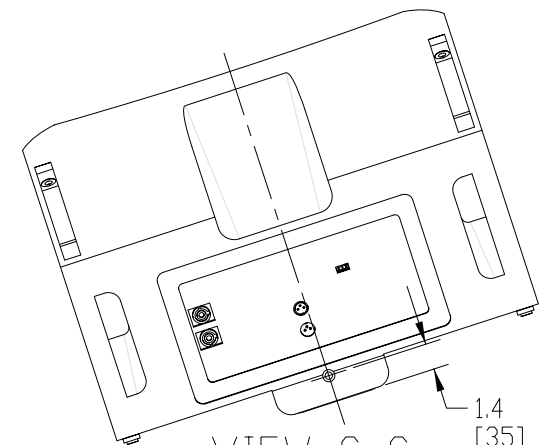
REVISIONS					
REV	ECO	DESCRIPTION	BY	EFF DATE	ISSUED
A	-	RELEASE	JD	20-MAY-11	-



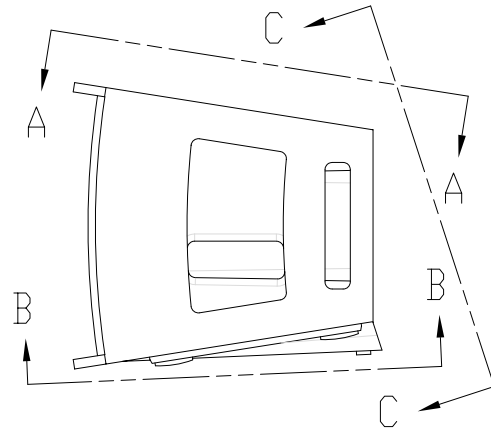
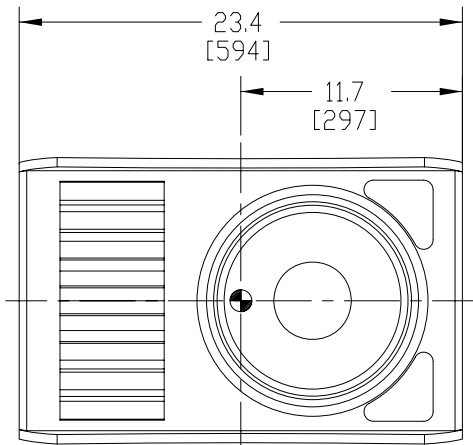
KLA12



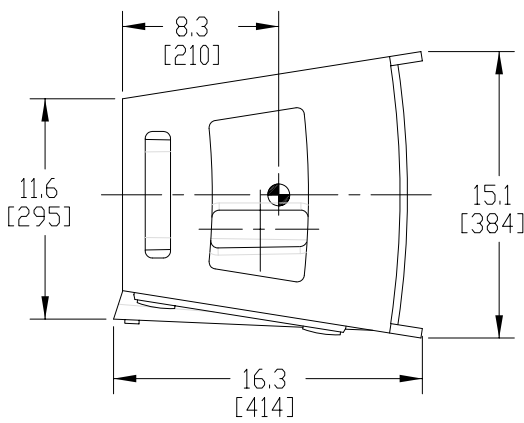
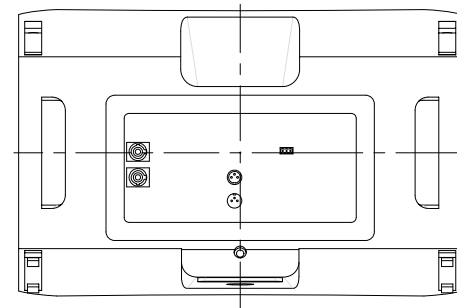
VIEW A-A



VIEW C-C



VIEW B-B



- 5. PARTS ARE SYMMETRICAL ABOUT CENTER LINES UNLESS OTHERWISE NOTED.
- 4. SYMBOL INDICATES CENTER OF BALANCE.
- 3. SYMBOL INDICATES SUSPENSION POINT, 3 TOTAL: M10-1.5 THD.
- 2. TOLERANCES (INCHES): .X ± .13, ANGLES: ± 1°.
- 1. NET WEIGHT APPROX. 55 LBS (25.0 KG)
- NOTE: UNLESS OTHERWISE SPECIFIED

UNLESS OTHERWISE SPECIFIED DIMENSIONS IN INCHES (MM) TOLERANCES ARE: DECIMALS .XX±.02(.5) DECIMALS .XXX±.010(.25) ANGLES ± 1/2 DEBURR EDGES .010 (.25) R MAX	APPROVALS	DATE (DD-MMM-YY)	QSC AUDIO PRODUCTS, LLC 1675 MACARTHUR BOULEVARD COSTA MESA, CA 92626
	DRAWN J. DELARM	12-MAY-11	
	CHECKED P. SANCHEZ	19-MAY-11	
	MFG ENG -	-	
MATERIAL	QA CHECK -	-	SPEAKER, FINISHED, KLA12 SIZE C CAGE CODE 00PW4 DRAWING NO. FG-001233-2D REV A
FINISH	DRAWING INFO: FG-001233-2D.A.0	SCALE: 0.156 DO NOT SCALE DRAWING SHEET 1 OF 1	
	MODEL INFO: FG-001233-3D.A.0		