

Features

- Two-way, bi-amplified screen channel system
- HF-75 provides 90° horizontal by +20° to -30° vertical coverage
- LF-4215 is constructed of MDF and features single woofer chambers
- Low-distortion waveguide provides highly articulate dialogue
- Shallow depth (20") facilitates installation



Developed specifically for the unique requirements of professional motion picture playback, the SC-422 extends QSC's commitment to the cinema market. As a member of the DCS Digital Cinema Speaker Series, the SC-422 is a two-way, bi-amplified screen channel loudspeaker system comprised of two main units—the HF-75 high-frequency system and the LF-4215 low-frequency system.

The HF-75 high-frequency system features a large format, 3" (75mm) titanium diaphragm compression driver mounted on a custom designed high-frequency cinema horn with an adjustable pan and tilt bracket. The HF-75 includes a driver protection and equalization network. DC blocking capacitors protect against DC or low-frequency signals that would likely destroy an unprotected driver. Power limiter circuitry protects the driver from overpowering and a response correction filter smoothes the frequency response of the horn/driver combination. The driver and equalization network provides for more reliable operation, ensuring the show will go on.

The LF-4215 dual 15" (381mm) low-frequency enclosure is designed specifically to address the extended low-frequency response required for cinema applications. The LF-4215 covers the frequency range from 35 Hz to 1000 Hz, depending upon the high-frequency system requirements. Close Coupled Woofers (CCW), with their tight spacing between woofers, improves coupling and keeps coverage angles wide over a greater frequency range than more widely spaced designs.

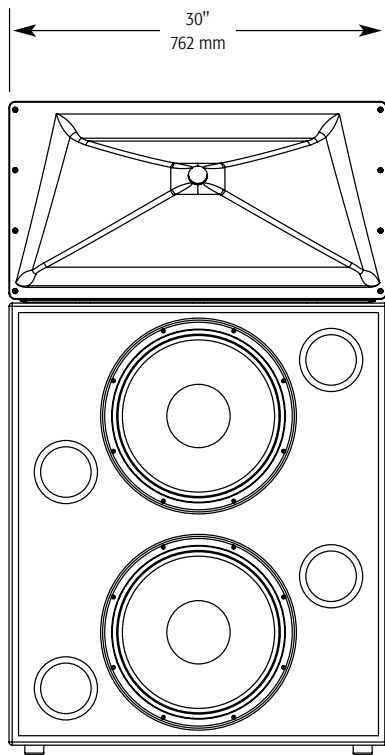
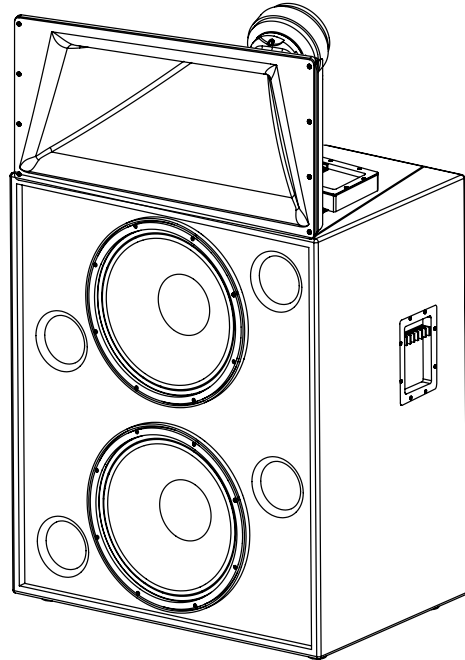
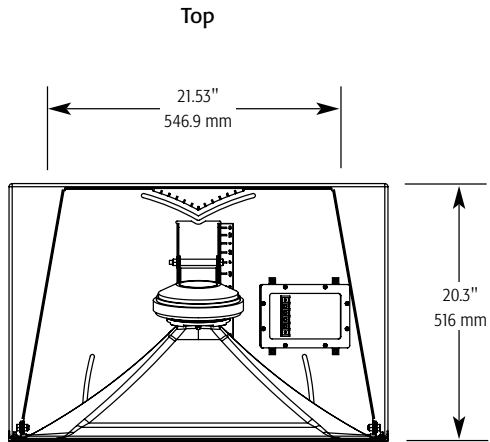
The SC-422 is designed for ease of installation. The HF-75 components come pre-assembled to reduce field assembly time. Three bolts are all that are required to secure the HF-75 to the top of the LF-4215 enclosure.

Specifications

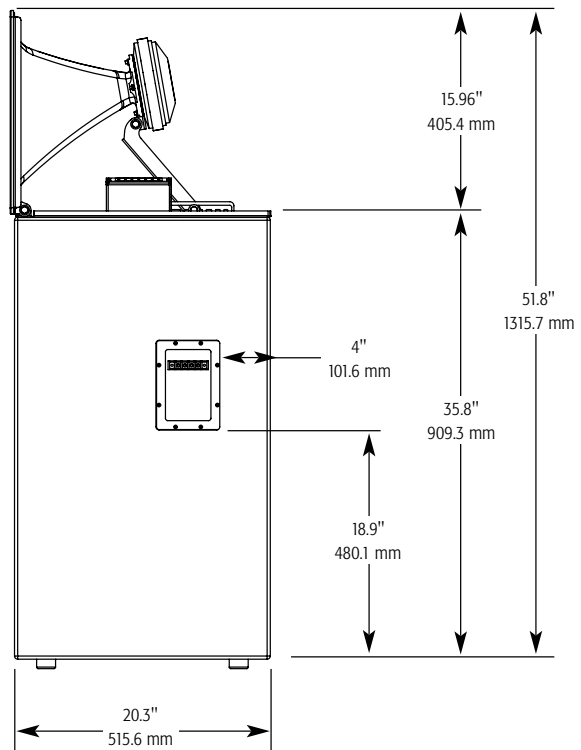
SC-422

Nominal Coverage	90° horizontal x +20 to -30° vertical	
Frequency Range	38 Hz - 16 kHz (-6 dB)	
Crossover Frequency	700 Hz, 24 dB per octave	
	LF-4215	HF-75
Impedance	4Ω	8Ω
Sensitivity 1 watt/1 meter, half space	99.5 dB	107.5 dB
Maximum Input Power ¹		
8 hours of 6 db crest factor IEC 268 noise spectrum	800 W RMS	60 W RMS
2 hours of 6 db crest factor pink noise, 50 Hz - 20 kHz, AES method	1000 W RMS	80 W RMS
Recommended Amplifier Power	1600 W RMS maximum	100 W RMS maximum
Recommended Processing	Subsonic filter below 30 Hz, > 18 dB per octave	4th order LR crossover at 1000 Hz
Connectors	Barrier strip screw terminals accept up to #10 AWG stranded wire, four terminals; two inputs and two parallel outputs	Barrier strip screw terminals accept up to #10 AWG stranded wire, four terminals; two inputs and two HF outputs
Transducers	Two 15" (381mm) high efficiency, extended bass woofer featuring 4" copper voice coils	1.5" (38mm) exit, 3" titanium diaphragm compression driver
Enclosure	Quasi B4 alignment, ported enclosure with fully flared ports, symmetrical port design, tuned to 36 Hz, constructed of MDF and heavily braced. Features vandal resistant woofer mounting bolts	Tilt/Pan Bracket ±10° vertical tilt ±10° horizontal pan
Dimensions (HWD)	36" x 30" x 20.3" (910 mm x 762 mm x 516 mm)	16" x 30" x 20" (406 mm x 762 mm x 508 mm)
Weight - Net	172 lbs (78 kg)	40 lbs (18.4 kg)
System Weight	212 lbs (96.4 kg)	
Baffle Cut-Out	53" x 32"	

¹) Maximum input power tested in accordance with IEC 268-5 recommendations, 50 Hz - 20 kHz band limiting, 6 dB signal crest factor.



Side



Front

Specifications subject to change without notice.



1675 MacArthur Blvd., Costa Mesa, CA, 92626 USA
 Main Number (714) 754-6175 Sales & Marketing (714) 957-7100 or toll free (USA only) (800) 854-4079
 Customer Service(714) 957-7150 or toll free (USA only) (800) 772-2834

Cinema Loudspeaker Systems User Manual

HF-75 High Frequency Component

Introduction

The HF-75 is the high frequency component of the SC-412 and SC-422 two-way, biamplified screen channel loudspeakers for high performance cinema applications. The system is shipped as two separate components: the HF-75 high frequency system and the LF-4115 or LF-4215 woofer system.

The HF-75 high-frequency system features a large format, 3" (75mm) titanium diaphragm compression driver mounted on a custom designed high-frequency cinema horn with an adjustable pan and tilt bracket. The horn features broad horizontal and vertical coverage angles to ensure coverage of every seat in the auditorium. The horn is a low-distortion waveguide providing highly articulate dialogue without the "honky" coloration associated with conventional horn loudspeakers.

The HF-75 includes a driver protection and equalization network. DC blocking capacitors protect against DC or low-frequency signals that would likely destroy an unprotected driver. Power limiter circuitry protects the driver from over-powering and a response correction filter smooths the frequency response of the horn/driver combination. The driver and equalization network provides for more reliable operation, ensuring the show will go on.

The HF-75 components come pre-assembled to reduce field assembly time. Three bolts are all that are required to secure the HF-75 to the top of the low frequency enclosure.

Mounting

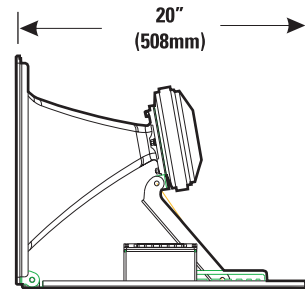
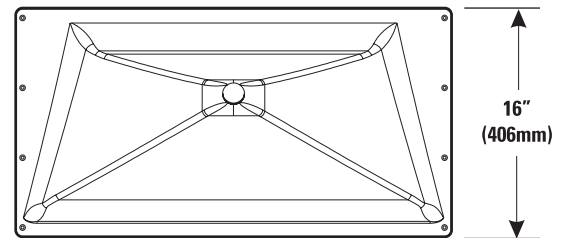
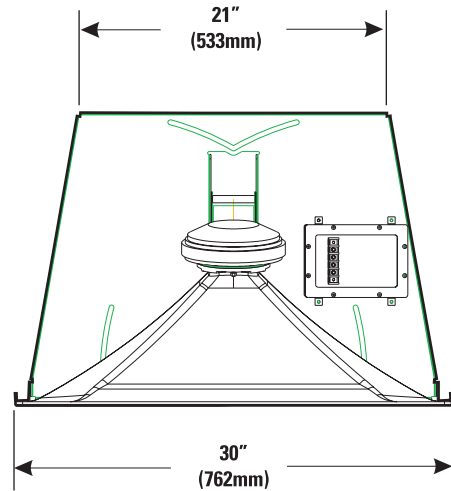
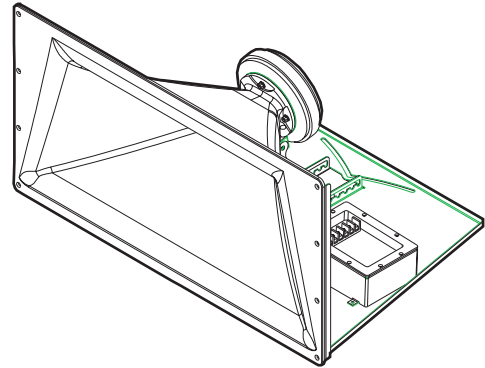
Refer to the illustration for mounting information. The HF-75 attaches to the top of the LF-4115 or LF-4215 with three 5/16-18 bolts, 0.75" long, with lock washers. We recommend the use of serviceable thread locking compound when installing the bolts to prevent loosening due to vibration. Aim the horn in the horizontal plane (pan) before tightening. Adjust the vertical tilt with the bracket adjustment.



Install in accordance with QSC Audio Product's instructions and a licensed, professional engineer. Only use attachments, mounts, accessories, or brackets specified by QSC Audio Products, Inc. Refer all servicing to qualified personnel. Servicing is required when the apparatus has been damaged in any way.



WARNING! Before placing, installing, rigging, or suspending any speaker product, inspect all hardware, suspension, cabinets, transducers, brackets and associated equipment for damage. Any missing, corroded, deformed or non-load rated component could significantly reduce the strength of the installation, placement, or array. Any such condition severely reduces the safety of the installation and should be immediately corrected. Use only hardware which is rated for the loading conditions of the installation and any possible short-term unexpected overloading. Never exceed the rating of the hardware or equipment. Consult a licensed, professional engineer when any doubt or questions arise regarding a physical equipment installation.



Connections

The HF-75 has barrier strip screw terminals that accept up to #10 AWG stranded loudspeaker wire.

HF INPUT Terminals

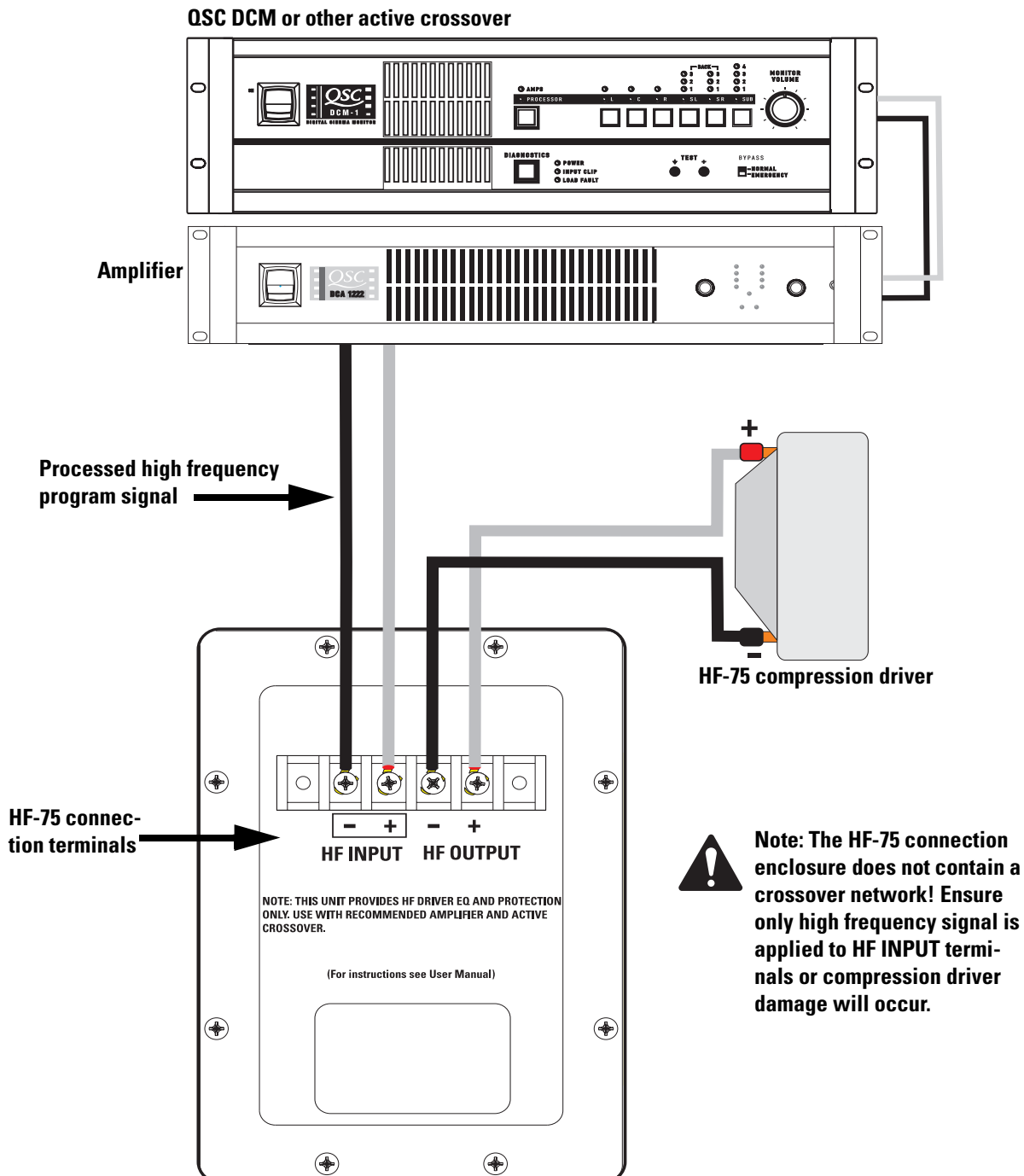
Connect the amplifier's output signal to the loudspeaker's HF INPUT terminals. Observe proper polarity; amplifier + signal to loudspeaker + HF INPUT, amplifier - signal to loudspeaker - HF INPUT. Use the largest wire size and shortest length for the application.



NOTE! Do not apply full range signal to the HF-75! There is no crossover in the HF-75, only a compensation/delay network. All required signal processing must be done upstream of the HF-75. Maintain proper loudspeaker connection polarity throughout the entire system for maximum performance.

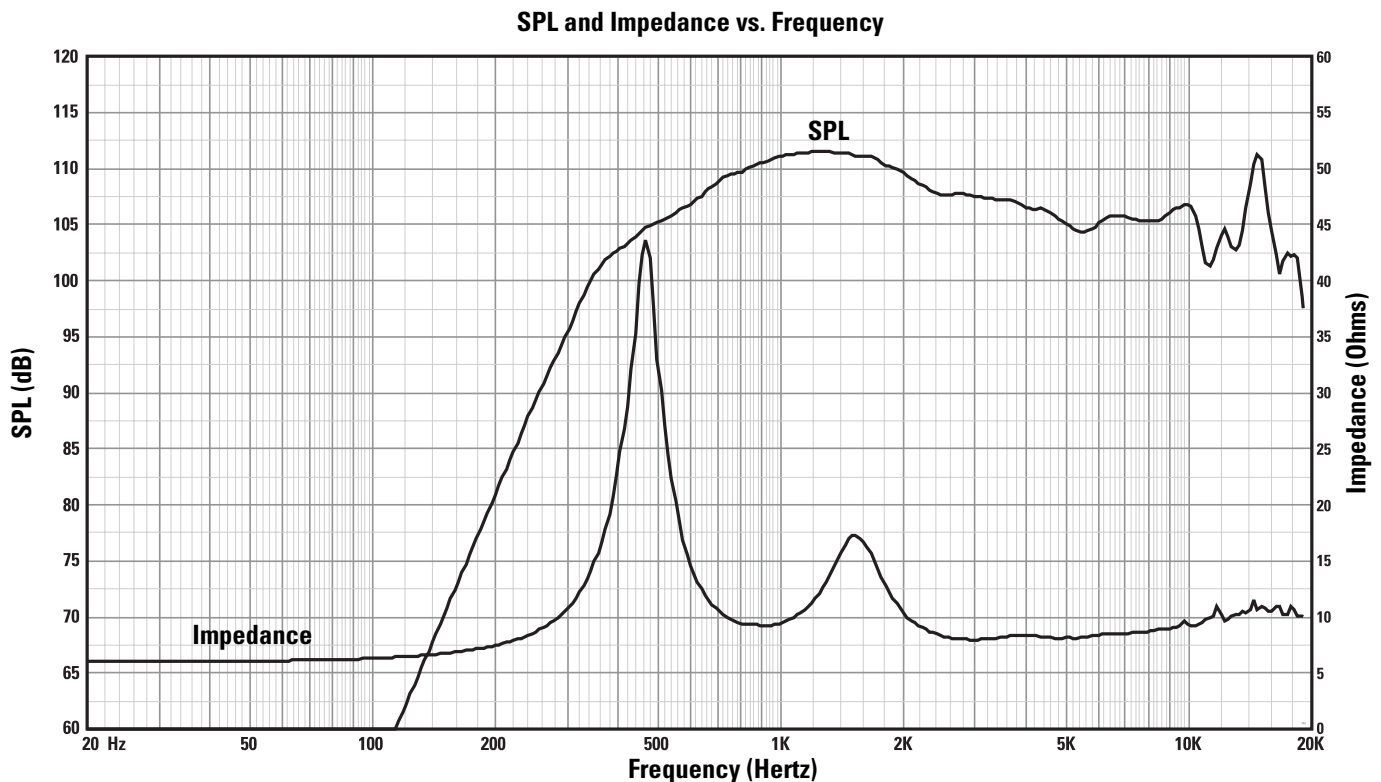
HF OUTPUT Terminals

The HF OUTPUT terminals are factory-connected to the compression driver. These terminals should ONLY be connected to the HF-75's compression driver.



HF-75 Specifications (subject to change without notice)

Frequency Range:	600 - 16k Hz (-6 dB, full space)
Nominal Coverage:	90° horizontal X +15° to -35° vertical (50° total, adjustable mount provides for vertical plane adjustments. The horizontal plane can be adjusted by altering mounting position on the LF-4215 enclosure before tightening bolts.
DI:	9.0 dB (600 to 16,000 Hertz average)
Q:	8.0 (600 to 16,000 Hertz average)
Maximum Output:	133 dB SPL calculated peak, 1 meter, half space.
Impedance:	8 ohms nominal 8.0 ohms minimum at 3,000 Hertz 104 ohms maximum at 475 Hertz
Maximum Input Power:	60 watts rms (100 hours of 6 dB crest factor pink noise, 500 to 20,000 Hertz, IEC method) 80 watts rms (2 hours of 6 dB crest factor pink noise, 60 - 6,000 Hertz, AES method)
Sensitivity:	108 dB half space, 1 watt, 1 meter
Crossover Frequency:	700 Hertz or higher, 24 dB per octave
Connectors:	Barrier strip screw terminals accept up to #10 AWG stranded wire. Four terminals: (two HF INPUT and two post compensation HF OUTPUT). HF OUTPUT factory wired to compression driver.
Transducers:	1.5" (38mm) exit, 3.0" (76mm) titanium diaphragm compression driver.
Mounting Hardware:	Attaches to top of low frequency cabinet using three 5/16"-18 x 3/4" long bolts.
Size:	30" wide X 16" high X 20" deep (762mm X 406mm X 508mm)
Weight:	50 lbs. (shipping), 40 lbs. (net), 22.7/18.4 kilograms



Warranty (USA only; other countries, see your dealer or distributor)

Disclaimer

QSC Audio Products, Inc. is not liable for any damage to amplifiers, or any other equipment that is caused by negligence or improper installation and/or use of this loudspeaker product.

QSC Audio Products 3 Year Limited Warranty

QSC Audio Products, Inc. ("QSC") guarantees its products to be free from defective material and / or workmanship for a period of three (3) years from date of sale, and will replace defective parts and repair malfunctioning products under this warranty when the defect occurs under normal installation and use - provided the unit is returned to our factory or one of our authorized service stations via pre-paid transportation with a copy of proof of purchase (i.e., sales receipt). This warranty provides that the examination of the return product must indicate, in our judgment, a manufacturing defect. This warranty does not extend to any product which has been subjected to misuse, neglect, accident, improper installation, or where the date code has been removed or defaced. QSC shall not be liable for incidental and/or consequential damages. This warranty gives you specific legal rights. This limited warranty is freely transferable during the term of the warranty period.

Customer may have additional rights, which vary from state to state.

In the event that this product was manufactured for export and sale outside of the United States or its territories, then this limited warranty shall not apply. Removal of the serial number on this product, or purchase of this product from an unauthorized dealer, will void this limited warranty. Periodically, this warranty is updated. To obtain the most recent version of QSC's warranty statement, please visit www.qscaudio.com. Contact us at 800-854-4079 or visit our website at www.qscaudio.com.

Contacting QSC Audio Products

Mailing address: QSC Audio Products, Inc.
1675 MacArthur Boulevard
Costa Mesa, CA 92626-1468 USA

Telephone Numbers:

Main Number (714) 754-6175

Sales & Marketing (714) 957-7100 or toll free (USA only) (800) 854-4079

Customer Service (714) 957-7150 or toll free (USA only) (800) 772-2834

Facsimile Numbers:

Sales & Marketing Fax (714) 754-6174

Customer Service Fax (714) 754-6173

World Wide Web: www.qscaudio.com

E-mail: info@qscaudio.com

service@qscaudio.com



QSC Audio Products, Inc. 1675 MacArthur Boulevard Costa Mesa, California 92626 USA
©2003, 2004 "QSC" and the QSC logo are registered with the U.S. Patent and Trademark Office.



1675 MacArthur Blvd., Costa Mesa, CA, 92626 USA
 Main Number (714) 754-6175 Sales & Marketing (714) 957-7100 or toll free (USA only) (800) 854-4079
 Customer Service(714) 957-7150 or toll free (USA only) (800) 772-2834

Cinema Loudspeaker Systems User Manual

LF-4215 Low Frequency Loudspeaker

Introduction

The LF-4215 dual 15" (381mm) low frequency enclosure is designed specifically for cinema applications. Meeting cinema requirements for extended low frequency response differentiates the LF-4215 from more conventional "rock-and-roll" woofer systems. The LF-4215 covers the frequency range from 35 Hertz to 1000 Hertz, depending upon the high frequency system requirements. Close Coupled Woofers (CCW), with its tight spacing between woofers, improves coupling and keeps coverage angles wide over a greater frequency range than more widely spaced designs.

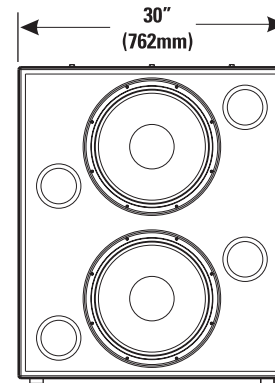
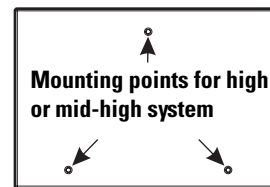
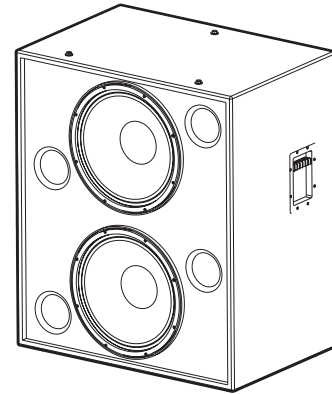
The two custom 400 watt, 15" transducers were developed especially for cinema use. They feature extremely large 4" (100mm) voice coils and a multi-vented pole piece to ensure cool operation, even at high power levels. Cooler temperatures increase transducer lifespan and decrease the problem of power compression at high power. An undercut pole piece ensures the voice coil operates in a Symmetrical Magnetic Gap (SMG), reducing second harmonic distortion.

The enclosure is constructed of high quality MDF panels and features Single Woofer Chambers (SWC, separate chambers for each transducer). In the rare event of a transducer failure, this prevents over-excursion of the remaining transducer caused by improper box loading.

Large, Fully Radiused Ports (FRP) ensure smooth air flow through the ports, especially at higher power. This prevents potentially audible port turbulence noise. Both internal and external port openings are fully radiused.

With Symmetrical Port Loading (SPL), bass ports are evenly spaced on each side of the transducers, making internal pressure more uniform across the back surface of the transducer. This prevents the cone from being displaced to one side or another by unbalanced forces, reducing the chance of driving the voice coil out of the center of the gap at high power.

Three T-nuts in the top of the enclosure provide easy mounting of QSC's HF-75 high frequency system, or MH-1075 mid-high system.



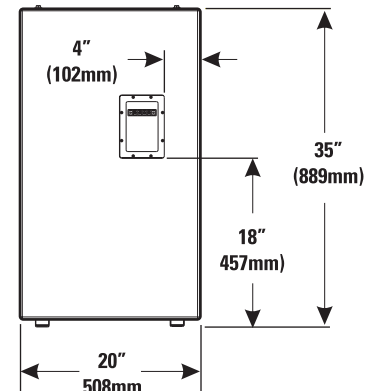
Enclosure is not designed to be suspended, flown, or rigged. Do not suspend, fly, or rig this enclosure.

This product is capable of producing sound pressure levels that can permanently damage human hearing. Always keep sound pressure levels in the listening area below levels that can damage human hearing.

Install in accordance with QSC Audio Product's instructions and a licensed, professional engineer. Only use attachments, mounts, accessories, or brackets specified by QSC Audio Products, Inc. Refer all servicing to qualified personnel. Servicing is required when the apparatus has been damaged in any way.



WARNING! Before placing, installing, rigging, or suspending any speaker product, inspect all hardware, suspension, cabinets, transducers, brackets and associated equipment for damage. Any missing, corroded, deformed or non-load rated component could significantly reduce the strength of the installation, placement, or array. Any such condition severely reduces the safety of the installation and should be immediately corrected. Use only hardware which is rated for the loading conditions of the installation and any possible short-term unexpected overloading. Never exceed the rating of the hardware or equipment. Consult a licensed, professional engineer when any doubt or questions arise regarding a physical equipment installation.

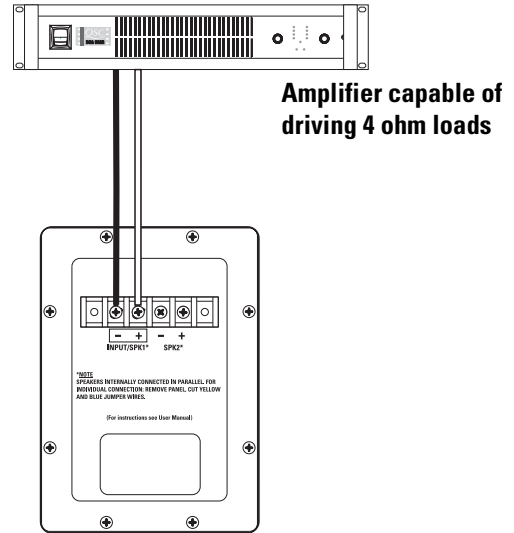


Connections

Normal Connection

The LF-4215 has barrier strip screw terminals for connection. The terminals accept up to #10 AWG stranded loudspeaker wiring. Use the largest wire size and shortest wire length possible for a given installation. Observe the polarity markings and keep polarity consistent throughout the system for best performance.

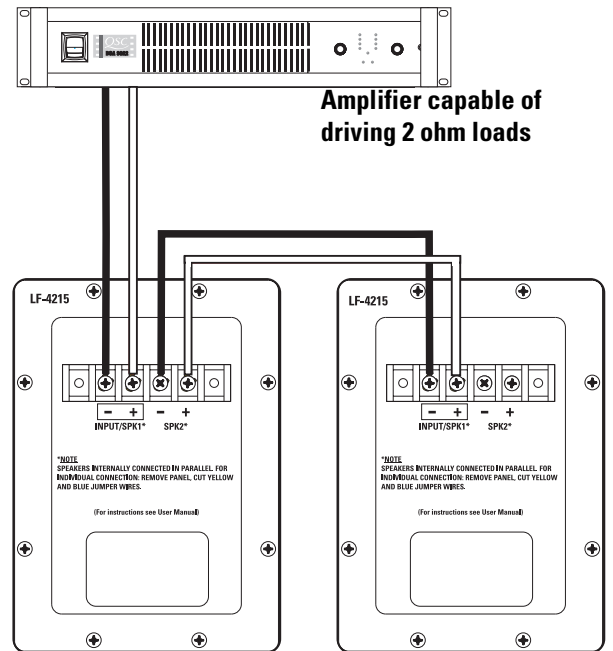
Normal Connection Example:



Parallel Connection of Second SB-5218

The terminals marker SPK2 may be used to connect another LF-4215 in parallel. Connect the wires as shown in the illustration, at right. Note: If the LF-4215's internal wiring has been modified in any way, this may not function. If this is the case, remove the terminal cup and verify the presence of the factory yellow jumper and blue jumper wires; remedy as required or have the loudspeaker serviced.

Parallel Connection Example:

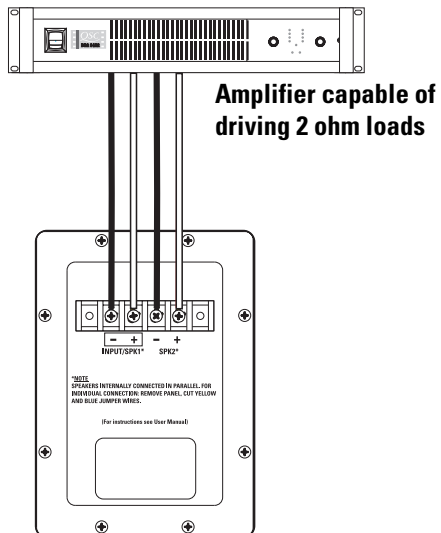


Individual Transducer Connection (requires modification)

The transducers are wired in parallel inside the enclosure. If individual transducer connection is required, remove the terminal cup and remove the yellow and the blue jumper wires that are connected between the SPK1 and SPK2 terminals. Replace the terminal cup and mark the enclosure with a note of the modification.

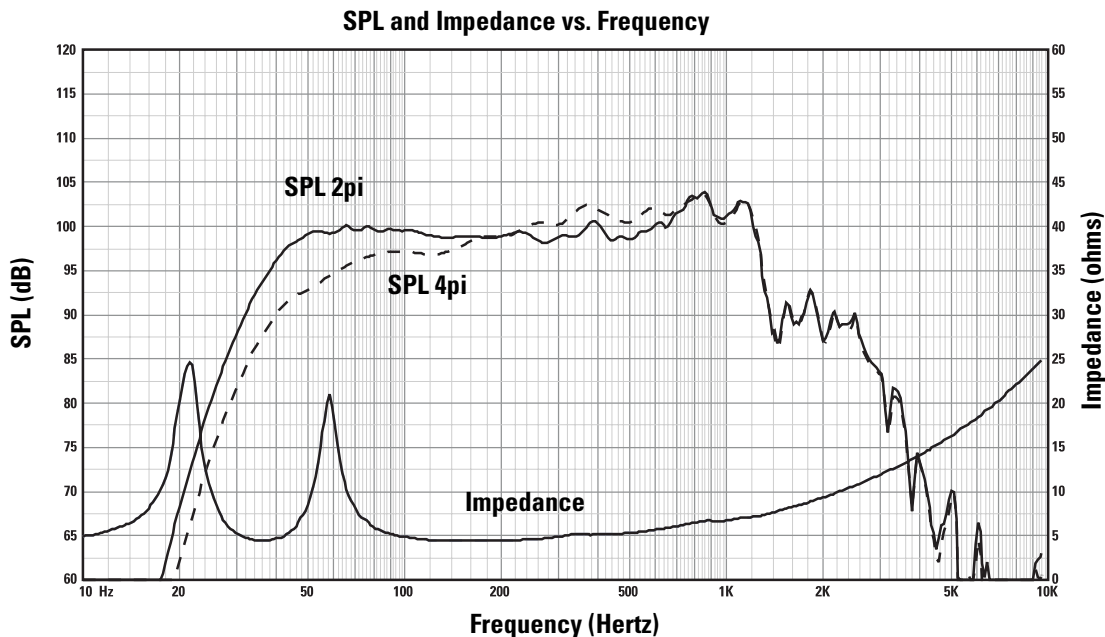
Individual Transducer Connection Example:

CAUTION!
Requires removal of terminal cup and cutting of both the yellow and the blue jumper wires that connect the SPK1 and SPK2 terminals



LF-4215 Specifications (subject to change without notice)

Frequency Range:	38 - 1300 Hertz (± 3 dB) 30 - 1400 Hertz useable range (-10 dB)
Nominal Coverage:	100° horizontal X 55° vertical at 600 Hertz
Maximum Output:	134.5 dB SPL calculated peak, 1 meter, half space, at rated rms power with 6 dB crest factor pink noise input, 25 - 250 Hertz. 128.5 dBA SPL calculated maximum continuous, 1 meter. The dBA scale is typically used to identify sound sources which can cause permanent hearing loss.
Impedance:	4 ohms nominal 3.4 ohms minimum , 150 Hertz 25 ohms maximum, 22 Hertz
Maximum Input Power:	800 watts rms (100 hours of 6 dB crest factor pink noise, 30 - 500 Hertz) 1000 watts rms (2 hours of 6 dB crest factor pink noise, 30 - 500 Hertz, AES method) recommended amplifier power capability- 1600 watts rms maximum into 4 ohms (per LF-4218)
Sensitivity:	99.5 dB half space, 93.5 dB full space, 35 - 1000 Hertz, 1 watt, 1 meter
Recommended Processing:	Subsonic filter below 30 Hertz, >18 dB per octave, maximum recommended crossover frequency is 1000 Hertz. QSC DSP configurations are available at www.qscaudio.com . Parameters for alternative processing hardware are available upon request.
Connectors:	Barrier strip screw terminals accept up to #10 AWG stranded wire. Four terminals: (two INPUT and two PARALLEL OUT). Drivers are internally wired in parallel. For independent transducer connection, remove blue jumper wire and yellow jumper wire on internal-side of terminal cup and mark enclosure accordingly.
Transducers:	Two 15" (381mm) high efficiency low frequency transducers featuring vented 4" (100mm) copper voice coils on Kapton® formers. High excursion/low distortion design, with extremely high power handling, and low thermal and port compression.
Enclosure:	Quasi B4 alignment, ported enclosure with fully flared ports, low turbulence symmetrical port design, tuned to 36 Hertz, constructed of medium density fibreboard and heavily braced. Features vandal resistant woofer mounting bolts.
Size:	30" wide X 35" high X 20" deep (762 mm X 889 mm X 508 mm)
Weight:	195 lbs. shipping, 172 lbs. net (88/78 kg.)



Warranty (USA only; other countries, see your dealer or distributor)

Disclaimer

QSC Audio Products, Inc. is not liable for any damage to amplifiers, or any other equipment that is caused by negligence or improper installation and/or use of this loudspeaker product.

QSC Audio Products 3 Year Limited Warranty

QSC Audio Products, Inc. ("QSC") guarantees its products to be free from defective material and / or workmanship for a period of three (3) years from date of sale, and will replace defective parts and repair malfunctioning products under this warranty when the defect occurs under normal installation and use - provided the unit is returned to our factory or one of our authorized service stations via pre-paid transportation with a copy of proof of purchase (i.e., sales receipt). This warranty provides that the examination of the return product must indicate, in our judgment, a manufacturing defect. This warranty does not extend to any product which has been subjected to misuse, neglect, accident, improper installation, or where the date code has been removed or defaced. QSC shall not be liable for incidental and/or consequential damages. This warranty gives you specific legal rights. This limited warranty is freely transferable during the term of the warranty period.

Customer may have additional rights, which vary from state to state.

In the event that this product was manufactured for export and sale outside of the United States or its territories, then this limited warranty shall not apply. Removal of the serial number on this product, or purchase of this product from an unauthorized dealer, will void this limited warranty. Periodically, this warranty is updated. To obtain the most recent version of QSC's warranty statement, please visit www.qscaudio.com. Contact us at 800-854-4079 or visit our website at www.qscaudio.com.

Contacting QSC Audio Products

Mailing address: QSC Audio Products, Inc.
1675 MacArthur Boulevard
Costa Mesa, CA 92626-1468 USA

Telephone Numbers:

Main Number (714) 754-6175

Sales & Marketing (714) 957-7100 or toll free (USA only) (800) 854-4079

Customer Service (714) 957-7150 or toll free (USA only) (800) 772-2834

Facsimile Numbers:

Sales & Marketing Fax (714) 754-6174

Customer Service Fax (714) 754-6173

World Wide Web: www.qscaudio.com

E-mail: info@qscaudio.com

service@qscaudio.com



QSC Audio Products, Inc. 1675 MacArthur Boulevard Costa Mesa, California 92626 USA
©2003, 2004, "QSC" and the QSC logo are registered with the U.S. Patent and Trademark Office.
Kapton® is a registered trademark of E.I. du Pont de Nemours and Company.



1675 MacArthur Blvd., Costa Mesa, CA, 92626 EE.UU.
Número principal +1 (714) 754-6175 Ventas y Comercialización +1 (714) 957-7100
o línea sin costo (sólo para EE.UU.) +1 (800) 854-4079
Servicio al cliente +1 (714) 957-7150 o gratis (sólo EE.UU.) +1 (800) 772-2834

Manual del usuario de los sistemas de altavoces para salas de cine

Componente de alta frecuencia HF-75

Introducción

El HF-75 es el componente de alta frecuencia de los altavoces bidireccionales SC-412 y SC-422 de canal de pantalla biamplificada, para aplicaciones cinematográficas de alto rendimiento. El sistema se envía como dos componentes separados: el sistema de alta frecuencia HF-75 y el sistema de woofer LF-4115 o LF-4215.

El sistema HF-75 de alta frecuencia tiene un formato grande, un excitador de compresión con diafragma de titanio de 3" (75 mm) montado en un cuerno cinematográfico de alta frecuencia de diseño bajo especificaciones con un soporte de movimiento horizontal y vertical ajustable. El cuerno tiene amplios ángulos de cobertura horizontal y vertical para asegurar la cobertura de cada asiento del auditorio. El cuerno es una guíaonda de baja deformación que proporciona un diálogo altamente articulado sin la coloración de "bocina" asociada con los altavoces de cuerno convencionales.

El HF-75 incluye protección del excitador y una red de ecualización. Los capacitores de bloqueo de CC protegen contra señales de CC o de baja frecuencia que probablemente destruirían un excitador no protegido. El circuito limitador de potencia protege al excitador contra las sobrecargas, y un filtro de corrección de respuesta suaviza la respuesta de frecuencia de la combinación cuerno/excitador. El excitador y la red de ecualización proporcionan una operación más confiable, asegurando la continuación del espectáculo.

Los componentes del sistema HF-75 vienen ya montados para reducir el tiempo de montaje en el campo. Tres pernos es todo lo que se requiere para fijar el HF-75 en la parte superior de la caja del sistema de baja frecuencia.

Montaje

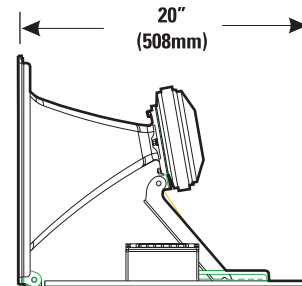
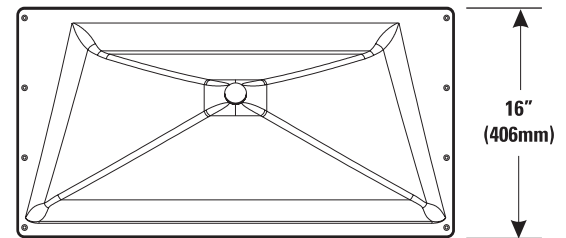
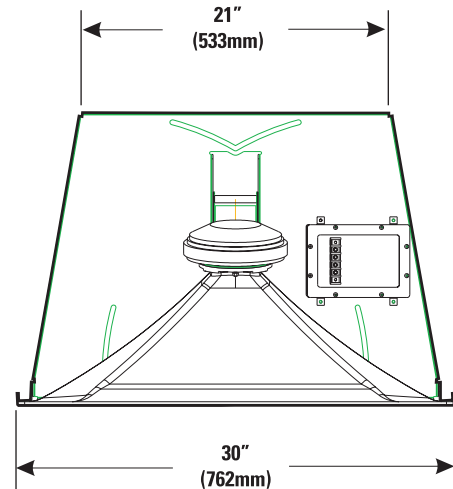
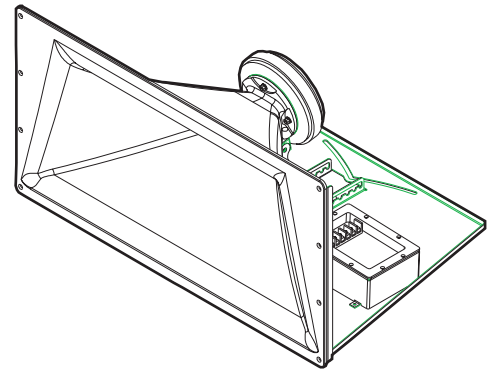
Vea la información sobre el montaje en la ilustración. El HF-75 se conecta en la parte superior del LF-4115 o LF-4215 con tres pernos de 5/16-18, de 0.75" de largo, con arandelas de fijación. Recomendamos el uso de un compuesto duradero para fijación de roscas al instalar los pernos para evitar que se aflojen debido a la vibración. Oriente el cuerno en el plano horizontal antes de apretarlo. Ajuste la posición vertical con el soporte de ajuste.



Instale de acuerdo con las instrucciones de QSC Audio Products y de un ingeniero profesional con la debida licencia. Sólo use piezas, montajes, accesorios o soportes especificados por QSC Audio Products, Inc. Refiera todo el servicio a personal calificado. Cuando el aparato haya sido dañado de alguna manera, es necesario proporcionarle servicio.



¡ADVERTENCIA! Antes de colocar, instalar, montar o suspender cualquier producto de altavoz, inspeccione todo el equipo físico, la suspensión, los armarios, los transductores, los soportes y el equipo asociado para detectar la existencia de daños. Cualquier componente faltante, corroido, deformado, o sin carga nominal podría reducir significativamente la resistencia de la instalación, la colocación o la configuración. Cualquier condición de este tipo reduce gravemente la seguridad de la instalación y debe corregirse de inmediato. Use sólo herraje que esté clasificado para las condiciones de carga de la instalación y cualquier posible carga excesiva a corto plazo inesperada. Nunca exceda el valor nominal del equipo físico ni del dispositivo. Consulte a un ingeniero profesional con la debida licencia cuando surjan dudas o preguntas referentes a la instalación física del equipo.



Conexiones

El HF-75 tiene terminales de tornillo de barra protectora que aceptan alambre trenzado de calibre de hasta #10 AWG para altavoces.

Terminales de ENTRADA de HF

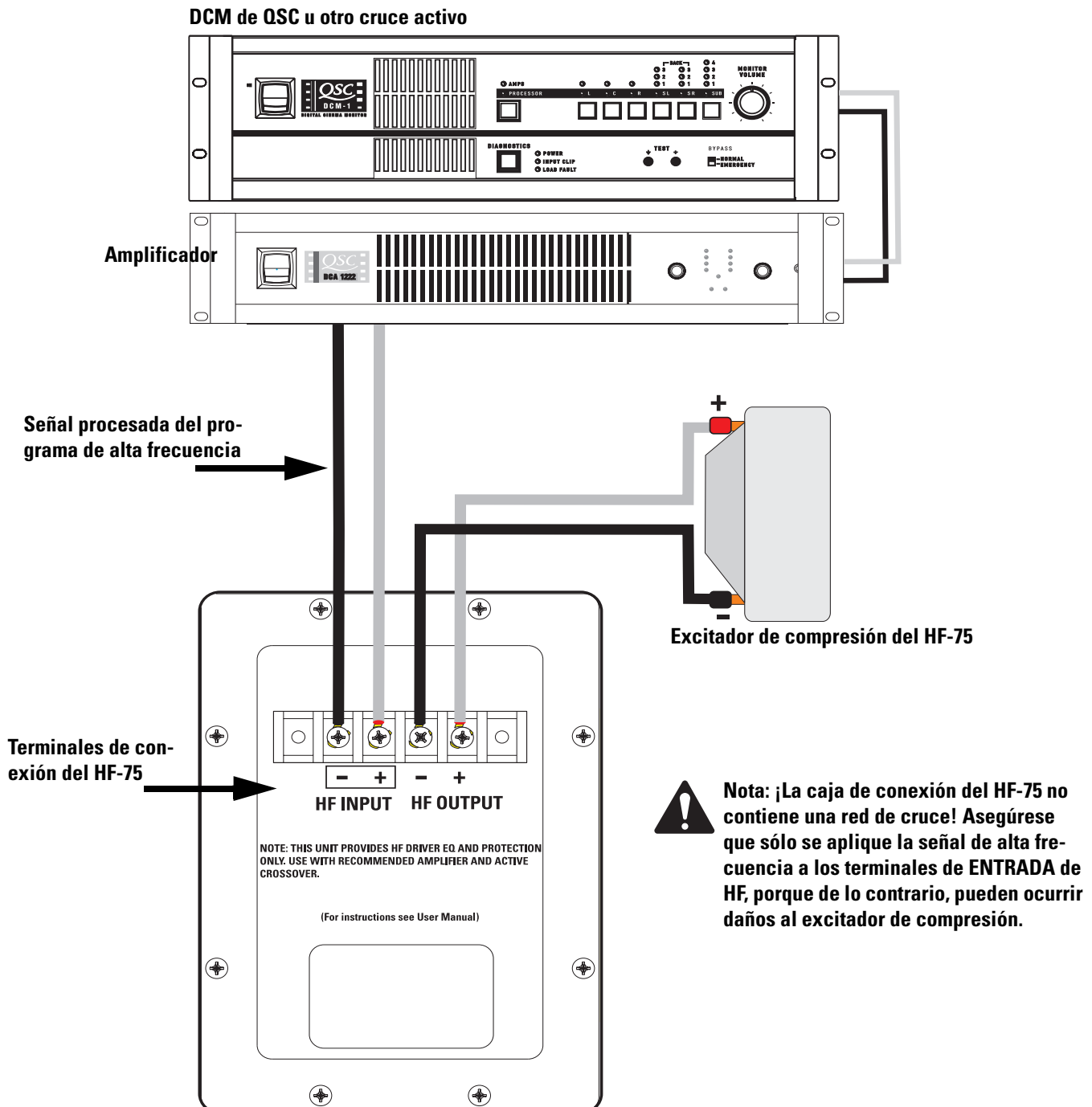
Conecte la señal de salida del amplificador en los terminales de ENTRADA de HF del altavoz. Observe la polaridad adecuada; amplificador + señal al altavoz + ENTRADA de HF, amplificador - señal al altavoz - ENTRADA de HF. Use el alambre de calibre más grande y de longitud más corta para la aplicación.



¡NOTA! Mantenga la polaridad adecuada en la conexión del altavoz en todo el sistema para obtener el máximo rendimiento. ¡No aplique una señal de intervalo total al HF-75! No hay cruce en el HF-75, sólo una red de compensación/demora. Todo el procesamiento de señales requerido debe hacerse antes del HF-75.

Terminales de SALIDA de HF

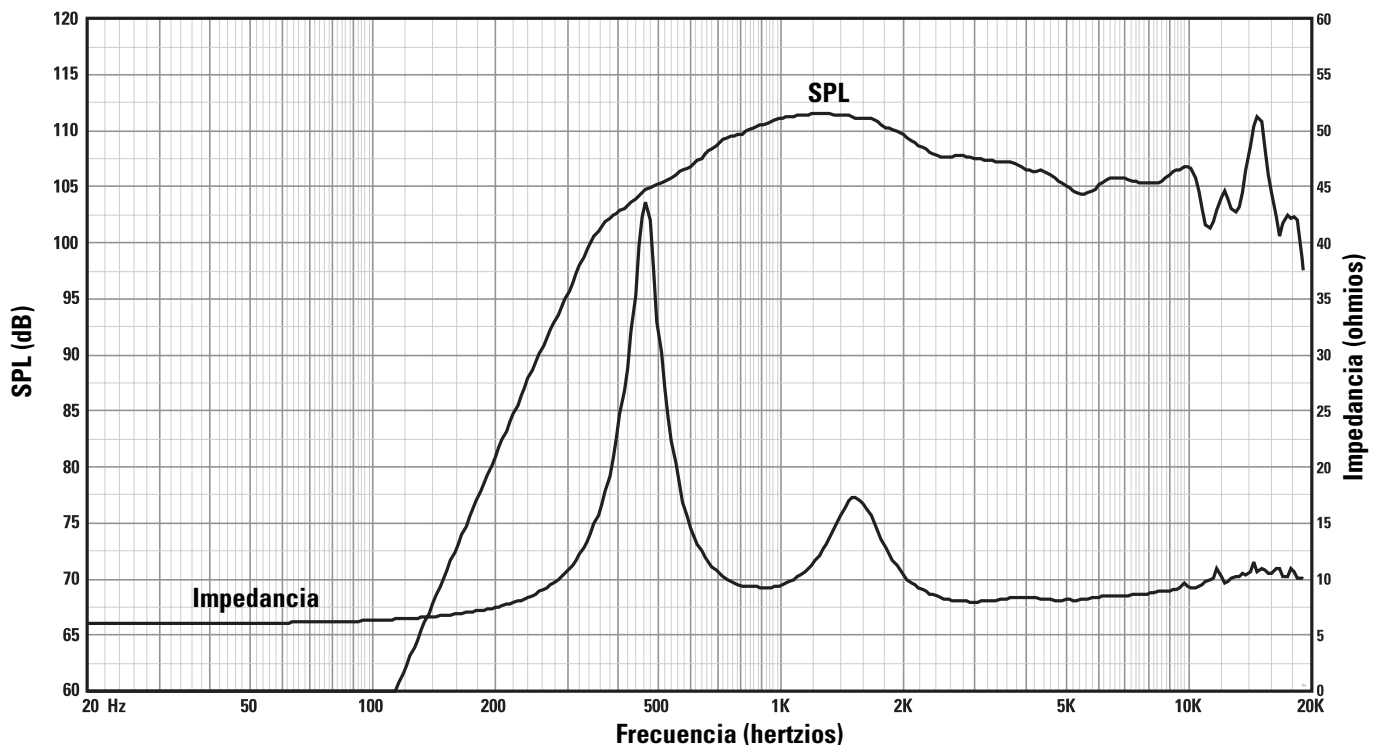
Los terminales de SALIDA de HF se conectan en fábrica al excitador de compresión. Estos terminales SÓLO se deben conectar al excitador de compresión del HF-75.



Especificaciones del sistema HF-75 (sujetas a cambio sin previo aviso)

Intervalo de frecuencias:	600 – 16 kHz (-6 dB, espacio completo)
Cobertura nominal:	90° horizontal X +15° a -35° vertical (50° total), el montaje ajustable permite ajustes en el plano vertical. El plano horizontal se puede ajustar alterando la posición de montaje de la caja del LF-4215 antes de apretar los pernos.
DI:	9.0 dB (600 a 16,000 Hertzios como promedio)
Q:	8.0 (600 a 16,000 Hertzios como promedio)
Salida máxima:	Pico calculado de SPL: 133 dB, 1 metro, medio espacio
Impedancia:	8 ohmios, nominal 8.0 ohmios como mínimo a 3,000 Hertzios 104 ohmios como máximo a 475 Hertzios
Potencia máxima de entrada:	60 vatios rms (100 horas de ruido rosa con factor de cresta de 6 dB, 500 a 20,000 Hertzios, método IEC) 80 vatios rms (2 horas de ruido rosa con factor de cresta de 6 dB, 60 -6.000 Hertzios, método AES)
Sensibilidad:	108 dB medio espacio, 1 vatio, 1 metro
Frecuencia de cruce:	700 Hertzios o más, 24 dB por octava
Conectores:	Los terminales de tornillo de barra protectora aceptan alambre trenzado de hasta #10 AWG . Cuatro terminales: (dos de ENTRADA de HF y dos de SALIDA de HF de post compensación). La SALIDA de HF se conecta en fábrica al excitador de compresión.
Transductores:	1.5" (38 mm) salida, 3.0" (76 mm) excitador de compresión con diafragma de titanio
Herraje de montaje:	Se conecta en la parte superior del gabinete del sistema de baja frecuencia mediante tres pernos de 5/16" -18 x 3/4" de largo.
Tamaño:	30" de ancho X 16" de alto X 20" de profundidad (762 mm X 406 mm X 508 mm)
Peso:	50 libras (envío), 40 libras (neto, 22.7/18.4 kilogramos)

SPL e impedancia en función de la frecuencia



Garantía (sólo para EE.UU.; para otros países, consulte con su vendedor o distribuidor)

Renuncia de responsabilidad

QSC Audio Products, Inc. no es responsable por ningún daño a los amplificadores, ni a ningún otro equipo que sea causado por negligencia o instalación y/o uso inadecuado de este altavoz.

Garantía limitada de 3 años de QSC Audio Products

QSC Audio Products, Inc. ("QSC") garantiza que sus productos estarán libres de materiales y/o mano de obra defectuosos por un periodo de tres (3) años a partir de la fecha de la venta, y reemplazará las piezas defectuosas y reparará los productos que funcionen mal bajo esta garantía cuando el defecto ocurra bajo condiciones normales de instalación y uso, siempre y cuando la unidad se devuelva a nuestra fábrica o a una de nuestras estaciones autorizadas de servicio mediante transportación prepagada con una copia del comprobante de compra (por ejemplo, el recibo de la compra). Esta garantía requiere que el examen del producto devuelto indique, en nuestra opinión, un defecto de fabricación. Esta garantía no se extiende a ningún producto que hubiera estado sometido a uso indebido, negligencia, accidente, instalación incorrecta, o en el que se hubiera quitado o modificado el código de la fecha. QSC tampoco será responsable por daños incidentales y/o emergentes. Esta garantía le otorga derechos legales específicos. Esta garantía limitada es libremente transferible durante el periodo de la misma.

El cliente podría gozar de derechos adicionales, que podrían variar de un estado a otro.

En caso de que este producto fuera fabricado para exportación y venta fuera de los Estados Unidos o sus territorios, entonces no será aplicable esta garantía limitada. La eliminación del número de serie en este producto, o la compra de este producto de un distribuidor no autorizado, anularán esta garantía limitada. Esta garantía se actualiza periódicamente. Para obtener la versión más reciente de la declaración de la garantía de QSC, por favor visite www.qscaudio.com. Comuníquese con nosotros al 800-854-4079 o visite nuestro sitio en Internet en www.qscaudio.com.

Cómo comunicarse con QSC Audio Products

Dirección postal: QSC Audio Products, Inc.
1675 MacArthur Boulevard
Costa Mesa, CA 92626-1468 EE.UU.

Números de teléfono:

Número principal +1 (714) 754-6175

Ventas y comercialización +1 (714) 957-7100 o gratis (sólo EE.UU.) +1 (800) 854-4079

Servicio al cliente +1 (714) 957-7150 o gratis (sólo EE.UU.) +1 (800) 772-2834

Números de fax:

Fax de ventas y comercialización +1 (714) 754-6174

Fax de servicio al cliente +1 (714) 754-6173

World Wide Web: www.qscaudio.com

Correo electrónico: info@qscaudio.com
service@qscaudio.com





1675 MacArthur Blvd., Costa Mesa, CA, 92626 EE.UU.

Número principal +1 (714) 754-6175 Ventas y Comercialización +1 (714) 957-7100

o línea sin costo (sólo para EE.UU.) +1 (800) 854-4079

Servicio al cliente +1 (714) 957-7150 o gratis (sólo EE.UU.) +1 (800) 772-2834

Manual del usuario de los sistemas de altavoces para salas de cine

Altavoz de baja frecuencia LF-4215

Introducción

La caja doble de baja frecuencia de 15" (381 mm) del altavoz LF-4215 está diseñada específicamente para aplicaciones cinematográficas. El cumplimiento de los requisitos de las aplicaciones cinematográficas referentes a una respuesta extendida de baja frecuencia, es lo que distingue al altavoz LF-4215 de otros sistemas woofer tipo "rock-and-roll" más convencionales. El altavoz LF-4215 cubre un intervalo de frecuencia de 35 Hertzios a 1000 Hertzios, dependiendo de los requisitos del sistema de alta frecuencia. Woofers acoplados cerrados (Close Coupled Woofers, CCW), con su espacio estrecho entre los woofers, mejora el acoplamiento y mantiene la amplitud de los ángulos de cobertura sobre un mayor intervalo de frecuencia en comparación con diseños de espacio más grande.

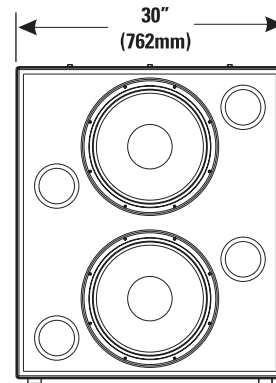
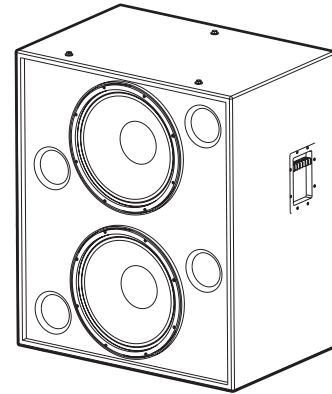
Los dos transductores adaptados de 400 vatios y 15" se desarrollaron especialmente para su uso en salas de cine. Tienen bobinas de voz extremadamente grandes, de 4" (100 mm), y un polo multiventilado que asegura una operación fría, incluso a niveles altos de potencia. Las temperaturas más frías aumentan la vida útil del transductor y disminuyen el problema de compresión de la potencia a niveles altos de potencia. Un polo proyectado asegura que la bobina de voz opere en un campo magnético simétrico (Symmetrical Magnetic Gap, SMG), reduciendo la segunda deformación armónica.

La caja esta construida con paneles MDF (cartón duro de densidad media) de alta calidad y tiene cámaras de woofer sencillo (Single Woofer Chambers, SWC, cámaras separadas para cada transductor). En el raro evento de falla del transductor, esto previene la excursión excesiva del transductor remanente causada por la carga inadecuada de la caja.

Los grandes puertos totalmente redondeados (Fully Radiused Ports, FRP) aseguran un flujo uniforme de aire a su través, especialmente a niveles mayores de potencia. Esto evita ruido de turbulencia en el puerto potencialmente audible. Ambas aberturas del puerto, la interna y la externa, están totalmente redondeadas.

Con la carga simétrica de los puertos (Symmetrical Port Loading, SPL), los puertos de graves están igualmente separados a cada lado de los transductores, haciendo que la presión interna sea más uniforme a través de la superficie posterior del transductor. Esto evita que el cono sea desplazado de un lado a otro por fuerzas no equilibradas, reduciendo la probabilidad de impulsar la bobina de voz fuera del centro del espacio a altos niveles de potencia.

Tres tuercas en T en la parte superior de la caja permiten el montaje fácil del sistema de alta frecuencia HF-75 o del sistema de frecuencia media alta MH-1075, ambos de QSC.



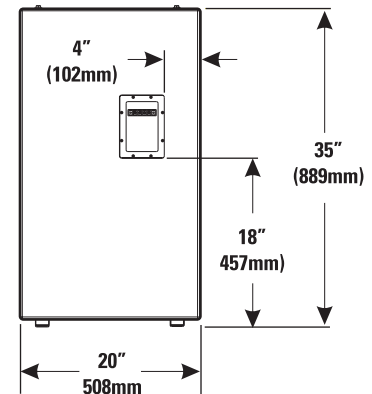
La caja no esta diseñada para montarse suspendida, en voladizo ni sobre arneses. No suspenda esta caja, no la monte en voladizo ni sobre arneses.

Este producto es capaz de producir niveles de presión del sonido que pueden causar daños permanentes al oído humano. Siempre mantenga los niveles de presión del sonido en un área de audición con un nivel menor que el que provoca daños al oído humano.

Instale de acuerdo con las instrucciones de QSC Audio Products y de un ingeniero profesional con la debida licencia. Sólo use piezas, montajes, accesorios o soportes especificados por QSC Audio Products, Inc. Refiera todo el servicio a personal calificado. Cuando el aparato haya sido dañado de alguna manera, es necesario proporcionarle servicio.



¡ADVERTENCIA! Antes de colocar, instalar, montar o suspender cualquier producto de altavoz, inspeccione todo el equipo físico, la suspensión, los armarios, los transductores, los soportes y el equipo asociado para detectar la existencia de daños. Cualquier componente faltante, corroido, deformado, o sin carga nominal podría reducir significativamente la resistencia de la instalación, la colocación o la configuración. Cualquier condición de este tipo reduce gravemente la seguridad de la instalación y debe corregirse de inmediato. Use sólo herraje que esté clasificado para las condiciones de carga de la instalación y cualquier posible carga excesiva a corto plazo inesperada. Nunca exceda el valor nominal del equipo físico ni del dispositivo. Consulte a un ingeniero profesional con la debida licencia cuando surjan dudas o preguntas referentes a la instalación física del equipo.



TD-000141-00 rev.D

© Derechos de autor 2003, 2004, QSC Audio Products, Inc.

QSC® es una marca comercial registrada de QSC Audio Products, Inc.

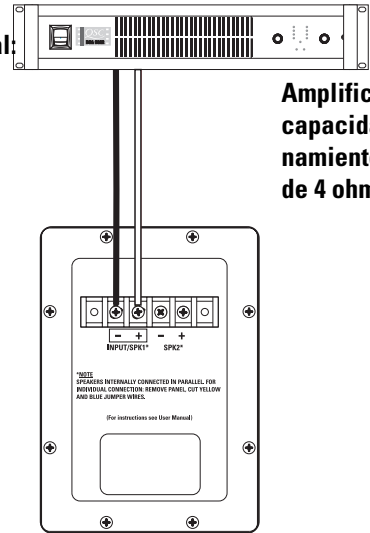
"QSC" y el logotipo de QSC están registrados con la Oficina de Patentes y Marcas Comerciales de los Estados Unidos

Conexiones

Conexión normal

El altavoz LF-4215 tiene terminales de tornillo de barra protectora para su conexión. Los terminales aceptan cableado trenzado de hasta #10 AWG para altavoces. Use el alambre del calibre más grande y de la longitud más corta posible en cualquier instalación. Observe las marcas de polaridad y mantenga la polaridad uniforme en todo el sistema para obtener el mejor rendimiento.

Ejemplo de una conexión normal:

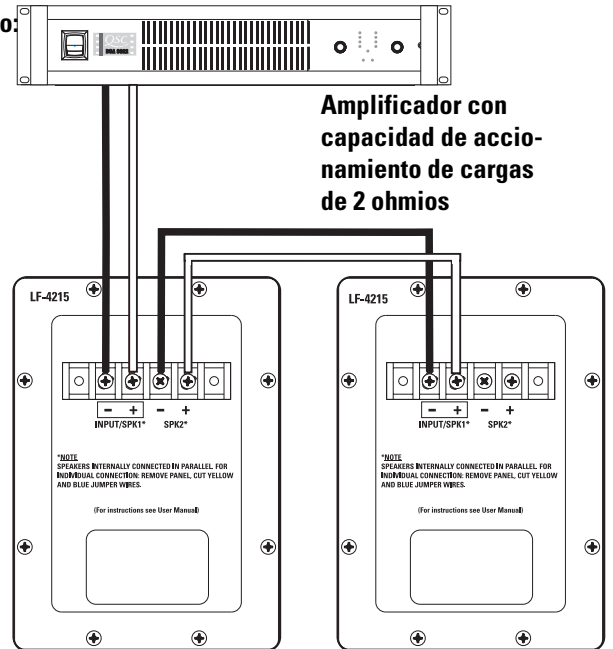


Amplificador con capacidad de accionamiento de cargas de 4 ohmios

Conexión en paralelo de un segundo SB-5218

Los terminales marcados SPK2 se pueden usar para conectar en paralelo otro altavoz LF-4215. Conecte los cables como se muestra en la ilustración, a la derecha. Nota: si el cableado interno de LF-4215 se ha modificado de alguna manera, es posible que no funcione. En este caso, quite la cúpula del terminal y verifique la presencia de alambres amarillos y azules de puentes instalados en fábrica; corrija el problema según se requiera, o solicite que den servicio al altavoz.

Ejemplo de conexión en paralelo:



Amplificador con capacidad de accionamiento de cargas de 2 ohmios

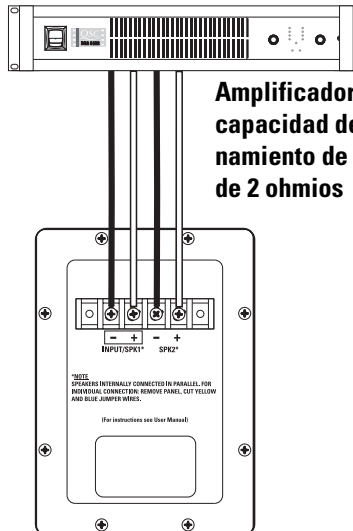
Ejemplo de la conexión de un transductor individual:

Conexión del transductor individual (requiere modificación)

Los transductores están conectados en paralelo dentro de la caja. Si se requiere la conexión del transductor individual, quite la cúpula del terminal y quite los alambres amarillo y azul del puente que están conectados entre los terminales SPK1 y SPK2. Vuelva a colocar la cúpula del terminal y marque la caja con una nota que indique la modificación.



¡PRECAUCIÓN!
Requiere desmontar la cúpula del terminal y cortar los alambres amarillo y azul que conectan los terminales SPK1 y SPK2

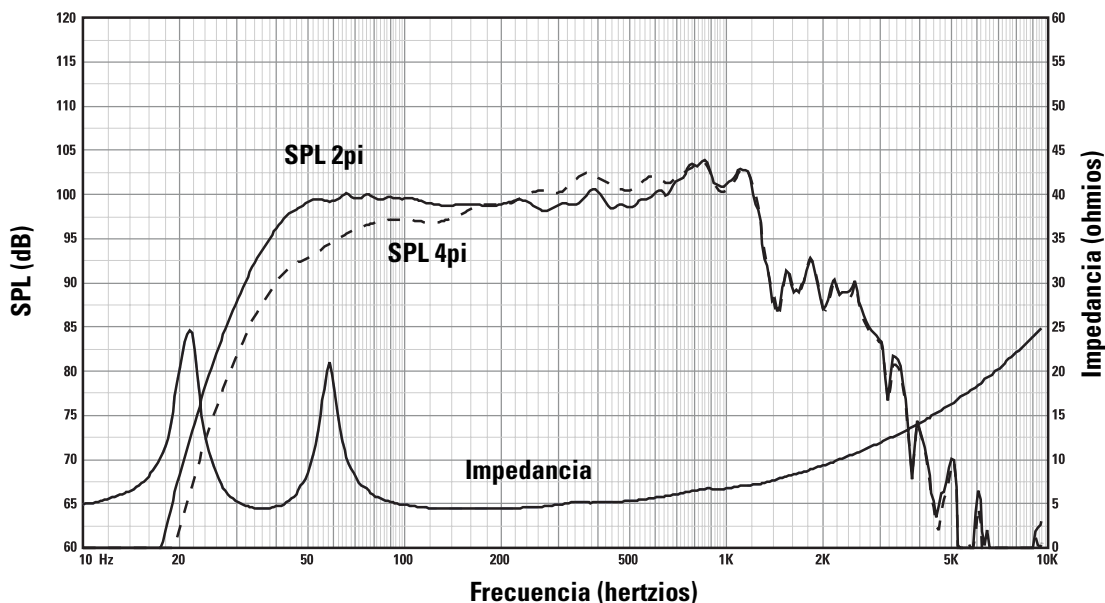


Amplificador con capacidad de accionamiento de cargas de 2 ohmios

Especificaciones del sistema LF-4215 (sujetas a cambio sin previo aviso)

Intervalo de frecuencias:	38 - 1300 Hertzios (± 3 dB) Intervalo utilizable de 30 - 1400 Hertzios (-10 dB)
Cobertura nominal:	100° horizontal X 55° vertical a 600 Hertzios
Salida máxima:	Pico calculado de SPL: 134.5 dB, 1 metro, medio espacio, a una potencia rms nominal con entrada de ruido rosa con factor de cresta de 6 dB, 25 - 250 Hertzios. Máximo calculado continuo de SPL: 128.5 dBA, 1 metro. La escala de dBA típicamente se usa para identificar fuentes de sonido que pueden causar pérdida auditiva permanente.
Impedancia:	4 ohmios, nominal 3.4 ohmios mínimo, 150 Hertzios 25 ohmios máximo, 22 Hertzios
Potencia máxima de entrada:	800 vatios rms (100 horas de ruido rosa con factor de cresta de 6 dB, 30 - 500 Hertzios) 1000 vatios rms (2 horas de ruido rosa con factor de cresta de 6 dB, 30 - 500 Hertzios, método AES) Capacidad recomendada de potencia del amplificador: 1600 vatios rms como máximo en 4 ohmios (por LF-4218)
Sensibilidad:	99.5 dB medio espacio, 93.5 dB espacio completo, 35 - 1000 Hertzios, 1 vatio, 1 metro
Procesamiento recomendado:	Filtro subsónico menor de 30 Hertzios, >18 dB por octava, la frecuencia máxima de cruce recomendada es de 1000 Hertzios. Las configuraciones DSP de QSC están disponibles en www.qscaudio.com . Los parámetros para el herraje de procesamiento alternativo están disponibles si así se solicitan.
Conectores:	Los terminales de tornillo de barra protectora aceptan alambre trenzado de hasta #10 AWG . Cuatro terminales: (dos de ENTRADA y dos de SALIDA PARALELA). Los excitadores están cableados internamente en paralelo. Para la conexión de un transductor independiente, quite los alambres azul y amarillo de los puentes que se encuentran en el lado interno de la cúpula del terminal y marque la caja de acuerdo con esto.
Transductores:	Dos transductores de baja frecuencia de alta eficiencia, de 15" (381 mm), con bobinas de voz de cobre de 4" (100 mm) ventiladas, en soportes de Kapton®. Diseño de alta excursión/baja deformación, con un manejo de potencia extremadamente alta, y baja compresión térmica y de puerto.
Caja:	Alineación Quasi B4, caja con puertos totalmente abocinados, diseño de puerto simétrico de baja turbulencia, afinado a 36 Hertzios, construido de cartón duro de media densidad y fuertemente soportado. Tiene pernos de montaje del woofer resistentes al vandalismo.
Tamaño:	30" de ancho X 35" de alto X 20" de profundidad (762 mm X 889 mm X 508 mm)
Peso:	195 libras envío, 172 libras neto (88/78 kg.)

SPL e impedancia en función de la frecuencia



Garantía (sólo para EE.UU.; para otros países, consulte con su vendedor o distribuidor)

Renuncia de responsabilidad

QSC Audio Products, Inc. no es responsable por ningún daño a los amplificadores, ni a ningún otro equipo que sea causado por negligencia o instalación y/o uso inadecuado de este altavoz.

Garantía limitada de 3 años de QSC Audio Products

QSC Audio Products, Inc. ("QSC") garantiza que sus productos estarán libres de materiales y/o mano de obra defectuosos por un periodo de tres (3) años a partir de la fecha de la venta, y reemplazará las piezas defectuosas y reparará los productos que funcionen mal bajo esta garantía cuando el defecto ocurra bajo condiciones normales de instalación y uso, siempre y cuando la unidad se devuelva a nuestra fábrica o a una de nuestras estaciones autorizadas de servicio mediante transportación prepagada con una copia del comprobante de compra (por ejemplo, el recibo de la compra). Esta garantía requiere que el examen del producto devuelto indique, en nuestra opinión, un defecto de fabricación. Esta garantía no se extiende a ningún producto que hubiera estado sometido a uso indebido, negligencia, accidente, instalación incorrecta, o en el que se hubiera quitado o modificado el código de la fecha. QSC tampoco será responsable por daños incidentales y/o emergentes. Esta garantía le otorga derechos legales específicos. Esta garantía limitada es libremente transferible durante el período de la misma.

El cliente podría gozar de derechos adicionales, que podrían variar de un estado a otro.

En caso de que este producto fuera fabricado para exportación y venta fuera de los Estados Unidos o sus territorios, entonces no será aplicable esta garantía limitada. La eliminación del número de serie en este producto, o la compra de este producto de un distribuidor no autorizado, anularán esta garantía limitada. Esta garantía se actualiza periódicamente. Para obtener la versión más reciente de la declaración de la garantía de QSC, por favor visite www.qscaudio.com. Comuníquese con nosotros al 800-854-4079 o visite nuestro sitio en Internet en www.qscaudio.com.

Cómo comunicarse con QSC Audio Products

Dirección postal: QSC Audio Products, Inc.
1675 MacArthur Boulevard
Costa Mesa, CA 92626-1468 EE.UU.

Números de teléfono:

Número principal +1 (714) 754-6175

Ventas y comercialización +1 (714) 957-7100 o gratis (sólo EE.UU.) +1 (800) 854-4079

Servicio al cliente +1 (714) 957-7150 o gratis (sólo EE.UU.) +1 (800) 772-2834

Números de fax:

Fax de ventas y comercialización +1 (714) 754-6174

Fax de servicio al cliente +1 (714) 754-6173

World Wide Web: www.qscaudio.com

Correo electrónico: info@qscaudio.com

service@qscaudio.com



QSC Audio Products, Inc. 1675 MacArthur Boulevard Costa Mesa, California 92626 EE.UU.

©2003, 2004, "QSC" y el logo QSC están registrados con la Oficina de Patentes y Marcas Comerciales de EE.UU.

Kapton® es una marca comercial registrada de E.I. du Pont de Nemours and Company.



1675 MacArthur Blvd., Costa Mesa, CA 92626

Téléphone (standard) +1 (714) 754-6175 Ventes et Marketing +1 (714) 957-7100

ou +1 (800) 854-4079 (numéro vert valable aux États-Unis seulement)

Service clientèle +1 (714) 957-7150 ou numéro vert (États-Unis seulement) +1 (800) 772-2834

Manuel d'utilisation de systèmes de haut-parleurs de cinéma

Composant haute fréquence HF-75

Introduction

Le HF-75 est le composant haute fréquence des haut-parleurs de canaux d'écran bi-amplifié et bidirectionnel SC-412 et SC-422 pour applications haute performance en salles de cinéma. Ce système est expédié sous la forme de deux composants séparés : le système haute fréquence HF-75 et le système de haut-parleurs de graves de LF-4115 ou LF-4215.

Le système haute fréquence HF-75 a un étage d'attaque de compression à membrane en titane grand format (75 mm) monté sur un pavillon acoustique haute fréquence de cinéma avec un support réglable panoramique et basculant. Le pavillon acoustique a de larges angles de couverture horizontaux et verticaux pour garantir l'audition depuis chaque fauteuil de la salle. Le pavillon acoustique est un guide d'ondes basse distorsion permettant un dialogue très clair sans l'effet ronflant associé aux haut-parleurs à pavillon acoustique conventionnels.

Le HF-75 inclut une protection d'étage d'attaque et un réseau d'égalisation. Des condensateurs qui bloquent le courant c.c. protègent contre les signaux c.c. ou basse fréquence qui détruiraient probablement un étage d'attaque sans protection. Le circuit du limiteur de puissance protège l'étage d'attaque d'une surpuissance et un filtre de correction de réponse lisse la réponse en fréquence de l'ensemble pavillon acoustique/étage d'attaque. L'étage d'attaque et le réseau d'égalisation fournissent un fonctionnement plus fiable qui garantit l'ininteruption de la séance.

Les composants du HF-75 sont livrés pré-assemblés pour réduire le temps d'assemblage sur site. Trois boulons suffisent pour fixer le HF-75 sur le dessus de l'enceinte basse fréquence.

Montage

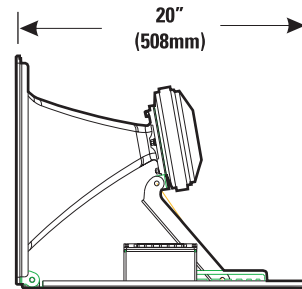
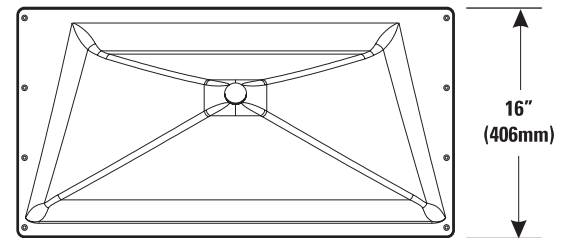
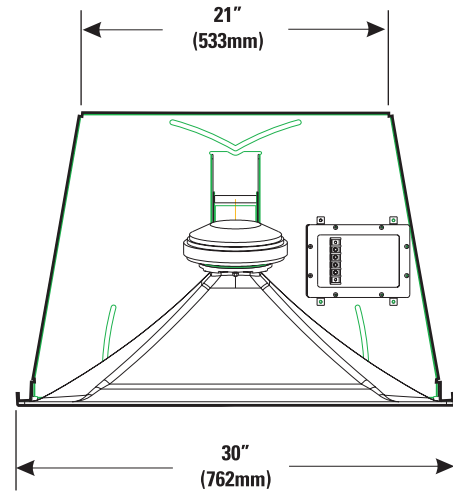
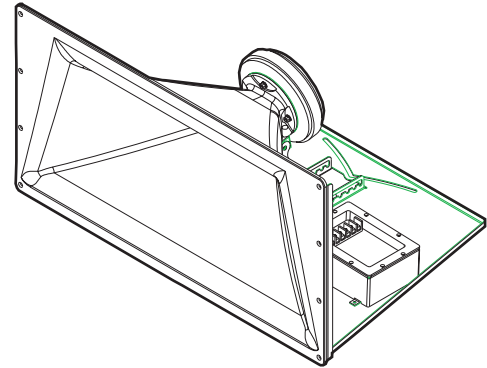
Pour les informations de montage, se reporter à l'illustration. Le HF-75 s'attache sur le dessus du LF-4115 ou du LF-4215 à l'aide de trois boulons 5/16-18 de 19 mm de long et des rondelles d'arrêt correspondantes. Nous recommandons l'utilisation d'une graisse pour filetage lors de l'installation des boulons pour empêcher leur desserrage suite aux vibrations. Orienter le pavillon acoustique dans le plan horizontal (panoramique) avant de serrer. Ajuster l'inclinaison verticale en réglant le support.



Installer conformément aux instructions de QSC Audio Products et d'un technicien professionnel diplômé. Utiliser uniquement des fixations, supports, accessoires ou équerres spécifiés par QSC Audio Products. Confier toutes les réparations à un personnel qualifié. Une réparation ou maintenance est requise lorsque l'appareil a été endommagé d'une manière quelconque.



AVERTISSEMENT ! Avant de placer, installer, monter ou suspendre un haut-parleur, inspecter l'état de toute la visserie, du matériel de suspension, des armoires, des transducteurs, des supports et du matériel associé. Tout composant manquant, corrodé, déformé ou non adapté à la charge risque de réduire sensiblement la solidité de l'installation, sa mise en place ou sa portée. Une telle condition réduit sensiblement la sécurité de l'installation et doit être immédiatement corrigée. Utiliser uniquement du matériel de montage prévu pour les conditions de charge de l'installation et toute surcharge éventuelle à court terme imprévue. Ne jamais dépasser les spécifications nominales du matériel de montage ou de l'équipement. Consulter un technicien professionnel diplômé en cas de doute ou de question concernant l'installation physique de l'équipement.



Branchements

Le HF-75 a des bornes vissables de bornier à cloisons qui acceptent des conducteurs de haut-parleurs toronnés pouvant atteindre #10 AWG.

Bornes HF INPUT (Entrée HF)

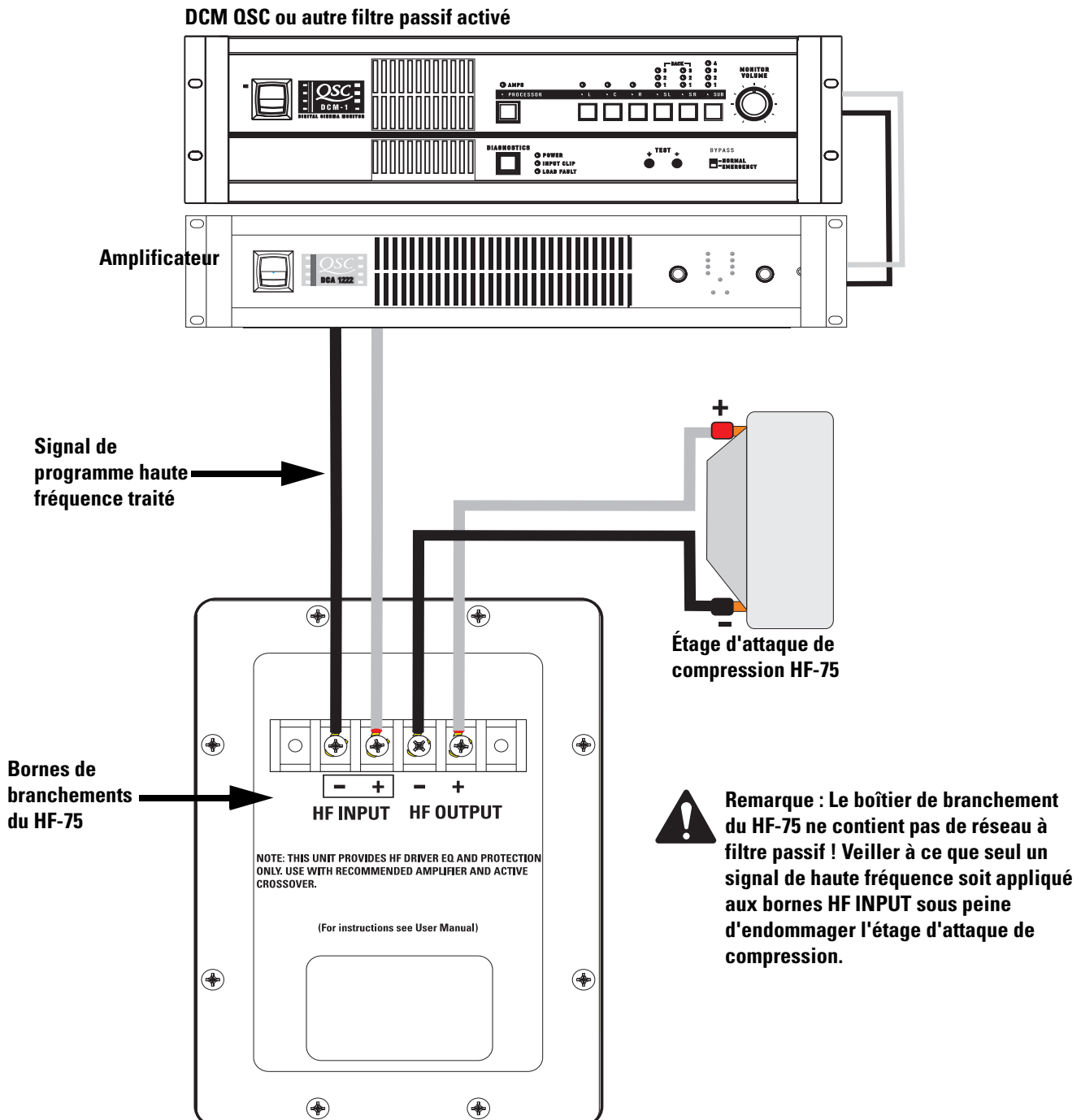
Connecter le signal de sortie de l'amplificateur aux bornes HF INPUT du haut-parleur. Vérifier si la polarité est correcte : signal + de l'amplificateur connecté à HF INPUT + du haut-parleur et signal - de l'amplificateur connecté à HF INPUT -. Utiliser des conducteurs de calibre maximal et de longueur minimale pour l'application.



REMARQUE ! Pour une performance maximum, maintenir la polarité de branchement correcte à travers l'ensemble du système. Ne pas appliquer de signal pleine gamme au HF-75 ! Le HF-75 n'est équipé d'aucun filtre passif, seulement d'un réseau de délai/compensation. L'ensemble du traitement des signaux doit se faire en amont du HF-75.

Bornes HF OUTPUT (Sortie HF)

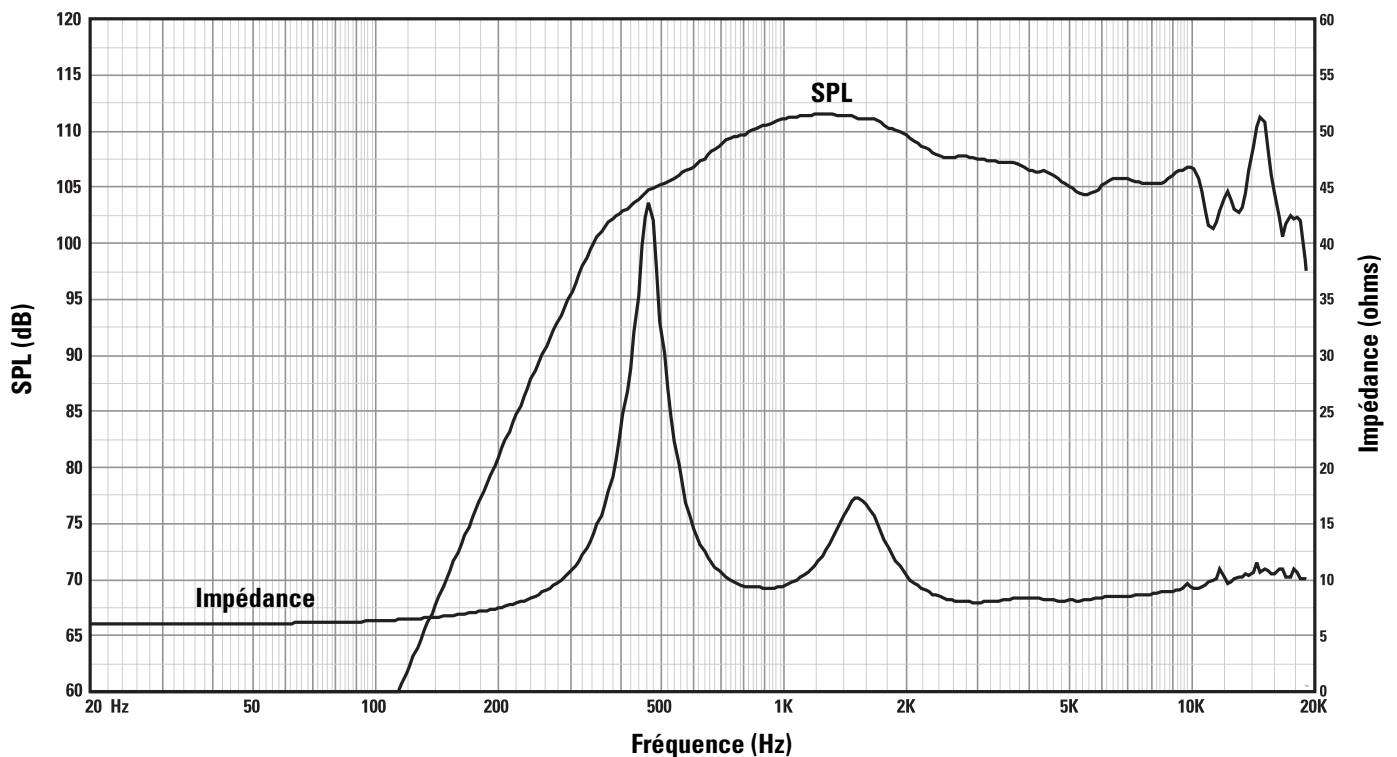
Les bornes HF OUTPUT sont connectées en usine à l'étage d'attaque de compression. Ces bornes doivent UNIQUEMENT être connectées à l'étage d'attaque de compression du HF-75.



Caractéristiques techniques du HF-75 (sujettes à modification sans préavis)

Plage de fréquence :	600 à 16 kHz (-6 dB, espacement total)
Couverture nominale :	90° horizontale x +15 à -35° verticale (50° au total ; le support réglable permet les ajustements dans le plan vertical.). Le plan horizontal se règle en modifiant la position de montage sur l'enceinte LF-4215 avant de serrer les boulons.
Indice de directivité :	9 dB (600 à 16 000 Hz en moyenne)
Q :	8 (600 à 16 000 Hz en moyenne)
Sortie maximale :	Niveau de pression sonore maximal calculé de 133 dB, à 1 m, demi-espacement.
Impédance :	8 ohms (nominale) 8 ohms minimum à 3 000 Hz 104 ohms maximum à 475 Hz
Puissance d'entrée maximale :	60 W (efficace) (100 heures de bruit rose de facteur de crête 6 dB, 500 à 20 000 Hz, méthode CEI) 80 W (efficace) (2 heures de bruit rose de facteur de crête 6 dB, 60 à 6 000 Hz, méthode AES)
Sensibilité :	108 dB, demi-espacement, 1 W, 1 m
Fréquence de filtre passif :	700 Hz ou plus, 24 dB par octave
Connecteurs :	Les bornes acceptent des câbles de haut-parleurs toronnés pouvant atteindre #10 AWG. Quatre bornes : (deux bornes HF INPUT et deux borne HF OUTPUT de post-compensation). Les bornes HF OUTPUT sont câblées en usine à l'étage d'attaque de compression.
Transducteurs :	Sortie de 38 mm, étage d'attaque de compression à membrane titane de 76 mm.
Fixations :	S'attache sur le dessus de boîtier basse fréquence par trois boulons 5/16-18 x 1,9 m de long.
Dimensions :	762 mm (largeur) x 406 mm (hauteur) x 508 mm (épaisseur)
Poids brut :	22,7 kg. Poids net : 18,4 kg

SPL et impédance par rapport à la fréquence



Garantie (États-Unis seulement ; dans les autres pays, consulter le revendeur ou le distributeur)

Avis de non-responsabilité

QSC Audio Products, Inc. n'est pas responsable des dommages subis par les amplificateurs ou tout autre équipement causé par un acte de négligence ou une installation impropre et/ou l'utilisation de ce haut-parleur.

QSC Audio Products - Garantie limitée de 3 ans

QSC Audio Products, Inc. (« QSC ») garantit que ses produits sont dépourvus de tout vice de fabrication et/ou de matériel pendant une période de trois (3) ans à partir de la date de vente et remplacera les pièces défectueuses et réparera les produits qui fonctionnent mal dans le cadre de cette garantie si le défaut survient dans des conditions normales d'installation et d'utilisation - à condition que l'appareil soit retourné à l'usine ou à l'un de nos centres de réparation agréés en port prépayé, accompagné d'un justificatif d'achat (facture, par ex.). Cette garantie prévoit que l'examen du produit retourné doit indiquer, selon notre jugement, un défaut de fabrication. Cette garantie ne s'étend à aucun produit qui a été soumis à une utilisation abusive, un acte de négligence, un accident, une installation incorrecte ou un produit dont le code-date a été retiré ou effacé. QSC ne pourra être tenue pour responsable de dommages accessoires et/ou indirects. Cette garantie vous accorde des droits spécifiques. Cette garantie limitée est librement cessible durant sa période de validité.

Le client pourra bénéficier d'autres droits, variables d'une juridiction à l'autre.

Si ce produit a été fabriqué pour une exportation et une vente en dehors des États-Unis ou de ses territoires, cette garantie limitée ne s'appliquera pas. Le retrait du numéro de série sur ce produit ou l'achat de ce produit auprès d'un revendeur non agréé annulera cette garantie limitée. Cette garantie est régulièrement mise à jour. Pour obtenir la toute dernière version de la garantie de QSC, rendez-vous sur le site www.qscaudio.com. Contactez-nous au 800-854-4079 ou visitez notre site Web www.qscaudio.com.

Pour contacter QSC Audio Products

Adresse postale : QSC Audio Products, Inc.
1675 MacArthur Boulevard
Costa Mesa, CA 92626-1468, États-Unis

Téléphone :

Standard +1 (714) 754-6175

Ventes & Marketing +1 (714) 957-7100 ou numéro vert (États-Unis seulement) +1 (800) 854-4079

Service clientèle +1 (714) 957-7150 ou numéro vert (États-Unis seulement) +1 (800) 772-2834

Télécopieur :

Ventes & Marketing Télécopieur +1 (714) 754-6174

Service clientèle Télécopieur +1 (714) 754-6173

Site Web : www.qscaudio.com

E-mail : info@qscaudio.com

service@qscaudio.com





1675 MacArthur Blvd., Costa Mesa, CA 92626

Téléphone (standard) +1 (714) 754-6175 Ventes et Marketing +1 (714) 957-7100

ou +1 (800) 854-4079 (numéro vert valable aux États-Unis seulement)

Service clientèle +1 (714) 957-7150 ou numéro vert (États-Unis seulement) +1 (800) 772-2834

Manuel d'utilisation de systèmes de haut-parleurs de cinéma

Haut-parleur basse fréquence LF-4215

Introduction

L'enceinte basse fréquence double de 381 mm LF-4215 a été tout spécialement conçue pour les applications en salle de cinéma. Les exigences des cinémas en matière de réponse longue durée basse fréquence différencient le LF-4215 des systèmes de haut-parleurs de graves « rock-and-roll » plus conventionnels. Le LF-4215 couvre la plage de fréquence de 35 à 1 000 Hz, selon les exigences de haute fréquence du système. Les haut-parleurs de graves attenants (CCW) améliorent le couplage et permettent des angles de couverture larges sur une plus grande plage de fréquences que les modèles plus espacés.

Les deux transducteurs personnalisés de 38 cm et 400 W ont été spécialement développés pour un usage en salles de cinéma. Ils ont des bobines mobiles extrêmement larges (100 mm) et un pôle à événements multiples, gage d'absence de surchauffe, même à haute puissance. Les températures inférieures augmentent la durée de vie des transducteurs et diminuent le problème de compression de puissance à haute puissance. Un pôle évidé garantit le fonctionnement des bobines mobiles dans un espace magnétique symétrique (SMG), ce qui réduit la distorsion harmonique secondaire.

L'enceinte est constituée de panneaux en MDF de haute qualité et a des compartiments simples pour haut-parleurs de graves (SWC, un compartiment par transducteur). Dans l'éventualité rare d'une panne de transducteur, cette configuration empêche le dépassement de course du transducteur restant, qui serait causée par le chargement inadéquat du boîtier.

Les grands ports entièrement arrondis (FRP) garantissent la circulation d'air uniforme à travers les ports, surtout à haute puissance. Ceci empêche les interférences sonores. Les ouvertures internes et externes des ports sont entièrement arrondies.

Grâce au chargement symétrique des ports (SPL), les ports à basses sont équidistants de part et d'autre des transducteurs, ce qui répartit uniformément la pression interne à travers la surface arrière du transducteur. Ceci empêche le déplacement du cône d'un côté ou de l'autre par des forces déséquilibrées, ce qui réduit le risque d'excentrage de la bobine mobile à haute puissance.

Trois écrous en T sur le dessus de l'enceinte facilitent la fixation du système haute fréquence HF-75 ou du système sonore de hauteur moyenne MH-175 de QSC.



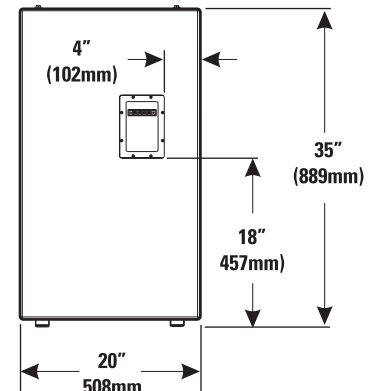
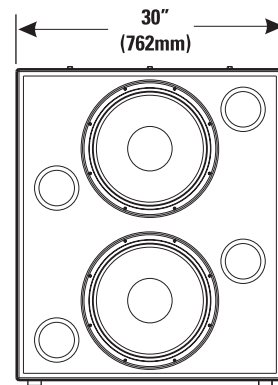
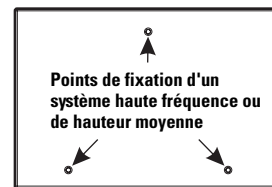
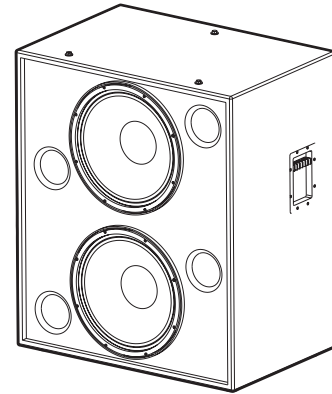
L'enceinte n'a pas été conçue pour être suspendue, balancée ou montée. La suspension, le balancement ou le montage de l'enceinte sont interdits.

Ce produit est capable de produire des niveaux de pression sonore susceptibles d'endommager l'ouïe de manière irréversible. Toujours maintenir les niveaux de pression sonore dans la zone d'écoute en deçà de niveaux susceptibles de compromettre l'ouïe.

Installer conformément aux instructions de QSC Audio Products et d'un technicien professionnel diplômé. Utiliser uniquement des fixations, supports, accessoires ou équerres spécifiés par QSC Audio Products. Confier toutes les réparations à un personnel qualifié. Une réparation ou maintenance est requise lorsque l'appareil a été endommagé d'une manière quelconque.



AVERTISSEMENT ! Avant de placer, installer, monter ou suspendre un haut-parleur, inspecter l'état de toute la visserie, du matériel de suspension, des armoires, des transducteurs, des supports et du matériel associé. Tout composant manquant, corrodé, déformé ou non adapté à la charge risque de réduire sensiblement la solidité de l'installation, sa mise en place ou sa portée. Une telle condition réduit sensiblement la sécurité de l'installation et doit être immédiatement corrigée. Utiliser uniquement du matériel de montage prévu pour les conditions de charge de l'installation et toute surcharge éventuelle à court terme imprévue. Ne jamais dépasser les spécifications nominales du matériel de montage ou de l'équipement. Consulter un technicien professionnel diplômé en cas de doute ou de question concernant l'installation physique de l'équipement.



TD-000141-00 rév.D

© Copyright 2003, 2004, QSC Audio Products, Inc.

QSC® est une marque déposée de QSC Audio Products, Inc.

QSC et le logo QSC sont des marques déposées auprès de l'U.S. Patent and Trademark Office.

Branchements

Branchement normal

Le branchement du LF-4215 se fait à partir de bornes vissables de bornier à cloisons. Les bornes acceptent des câbles de haut-parleurs toronnés pouvant atteindre #10 AWG. Utiliser le calibre de conducteur maximal et la longueur de conducteur minimale, dans la mesure du possible, pour toute installation. Observer les repères de polarité et maintenir une polarité constante à travers le système pour une meilleure performance.

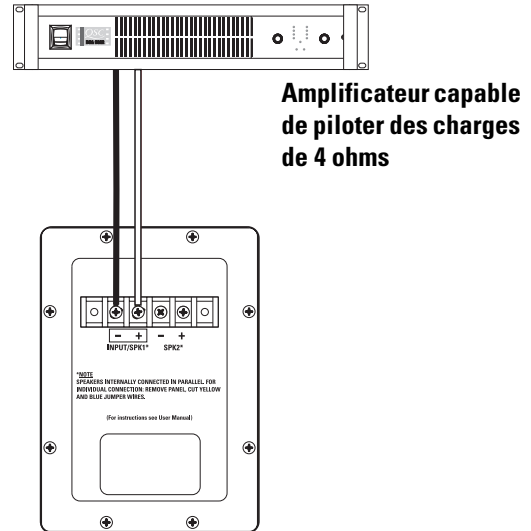
Branchement en parallèle d'un second LF-4215

Le marqueur de bornes SPK2 peut servir au branchement d'un autre LF-4215 en parallèle. Brancher les conducteurs comme indiqué sur l'illustration, à droite. Remarque : Si le câblage interne du LF-4215 a été modifié d'une manière quelconque, il est possible que ce branchement ne donne aucun résultat. Dans ce cas, retirer la cupule de la borne et vérifier la présence des connexions temporaires jaune et bleue ; corriger le problème ou faire réparer le haut-parleur.

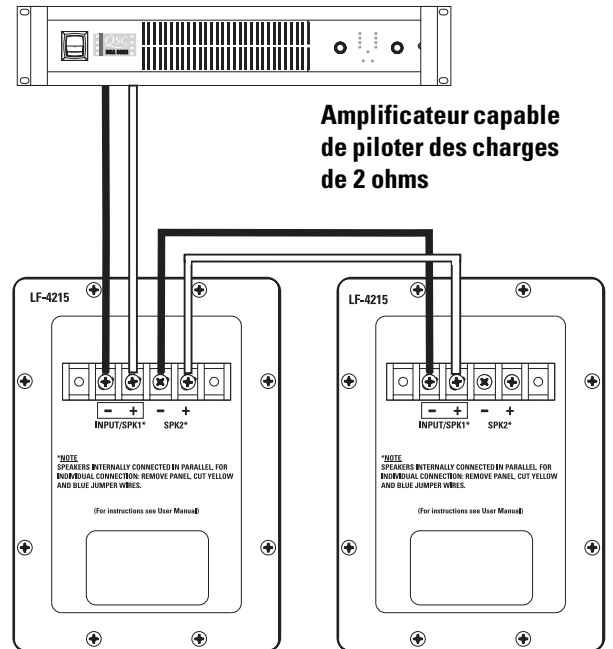
Branchement individuel des transducteurs (modification obligatoire)

Les transducteurs sont câblés en parallèle à l'intérieur de l'enceinte. Si un branchement individuel est requis, retirer la cupule de la borne et retirer les connexions temporaires jaune et bleue entre les bornes SPK1 et SPK2. Remettre la cupule sur la borne et apposer sur l'enceinte une note indiquant la modification.

Exemple de branchement normal :

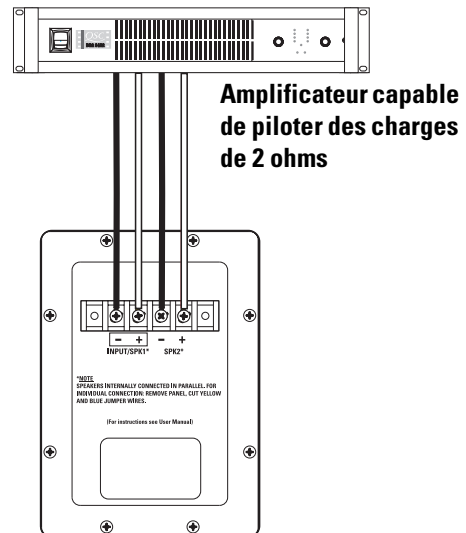


Exemple de branchement en parallèle :



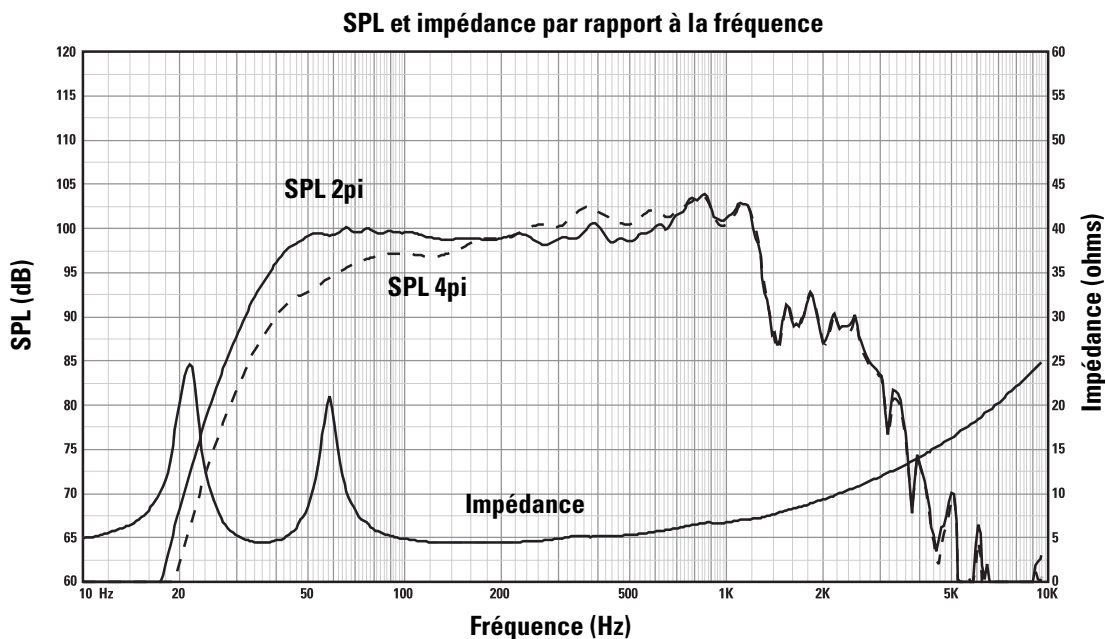
Transducteur individuel Exemple de branchement :

ATTENTION !
Exige le retrait de la cupule sur la borne et la coupe des connexions temporaires jaune et bleu entre les bornes SPK1 et SPK2.



Caractéristiques techniques du LF-4215 (sujettes à modification sans préavis)

Plage de fréquence :	38 à 1 300 Hz (± 3 dB) 30 à 1 400 Hz (plage utile) (-10 dB)
Couverture nominale :	100° horizontal x 55° vertical à 600 Hz
Sortie maximale :	Niveau de pression sonore maximal calculé de 134,5 dB, à 1 m, demi-espacement, à la puissance nominale efficace avec 6 dB entrée de bruit rose de facteur de crête, 25 à 250 Hz. Niveau de pression sonore maximal calculé continu de 128,5 dBA, à 1 m. L'échelle de dBA sert généralement à identifier les sources sonores susceptibles de causer une surdité permanente.
Impédance :	4 ohms, nominale 3,4 ohms minimale, 150 Hz 25 ohms maximale, 22 Hz
Puissance d'entrée maximale :	800 W (efficace) (100 heures de bruit rose de facteur de crête 6 dB, 30 à 500 Hz) 1 000 W (efficace) (2 heures de bruit rose de facteur de crête 6 dB, 30 à 500 Hz, méthode AES) Capacité de puissance d'amplificateur recommandée - 1 600 W (efficace) maximum dans 4 ohms (conformément au modèle LF-4218)
Sensibilité :	99,5 dB demi-espacement, 93.5 dB espacement total, 35 à 1 000 Hz, 1 W, 1 m
Traitement recommandé :	Filtre subsonique inférieur à 30 Hz, >18 dB par octave ; fréquence de filtre passif maximale recommandée : 1 000 Hz. Les configurations des processeurs de champs sonores numériques QSC sont disponibles sur le site www.qscaudio.com . Les paramètres concernant d'autres matériels de traitement sont disponibles sur demande.
Connecteurs :	Les bornes acceptent des câbles de haut-parleurs toronnés pouvant atteindre #10 AWG. Quatre bornes : (deux d'entrée et deux de sortie parallèle). Les étages d'attaque sont câblés à l'intérieur en parallèle. Pour le branchement indépendant d'un transducteur, retirer la connexion temporaire bleue et la connexion temporaire jaune de l'intérieur de la cupule de borne et laisser une note sur l'enceinte signalant cette modification.
Transducteurs :	Deux transducteurs basse fréquence ultra-efficaces de 381 mm avec bobines mobiles en cuivre de 100 mm à événements sur formes Kapton®. Conception du type excursion élevée/faible distorsion, qui permet le traitement d'une puissance extrêmement élevée, et réduit la chauffe et la compression des ports.
Enceinte :	Enceinte résonnante à alignement quasi B4 avec ports entièrement arrondis ; conception symétrique des ports à faible turbulence ; réglée à 36 Hz, en panneaux de fibres de densité moyenne et fortement renforcé. Possède des boulons de fixation sur les haut-parleurs de graves résistants aux vandales.
Dimensions :	762 mm (largeur) x 889 mm (hauteur) x 508 mm (épaisseur)
Poids brut :	88 kg Poids net : 78 kg



Garantie (États-Unis seulement ; dans les autres pays, consulter le revendeur ou le distributeur)

Avis de non-responsabilité

QSC Audio Products, Inc. n'est pas responsable des dommages subis par les amplificateurs ou tout autre équipement causé par un acte de négligence ou une installation impropre et/ou l'utilisation de ce haut-parleur.

QSC Audio Products - Garantie limitée de 3 ans

QSC Audio Products, Inc. (« QSC ») garantit que ses produits sont dépourvus de tout vice de fabrication et/ou de matériel pendant une période de trois (3) ans à partir de la date de vente et remplacera les pièces défectueuses et réparera les produits qui fonctionnent mal dans le cadre de cette garantie si le défaut survient dans des conditions normales d'installation et d'utilisation - à condition que l'appareil soit retourné à l'usine ou à l'un de nos centres de réparation agréés en port pré-payé, accompagné d'un justificatif d'achat (facture, par ex.). Cette garantie prévoit que l'examen du produit retourné doit indiquer, selon notre jugement, un défaut de fabrication. Cette garantie ne s'étend à aucun produit qui a été soumis à une utilisation abusive, un acte de négligence, un accident, une installation incorrecte ou un produit dont le code-date a été retiré ou effacé. QSC ne pourra être tenue pour responsable de dommages accessoires et/ou indirects. Cette garantie vous accorde des droits spécifiques. Cette garantie limitée est librement cessible durant sa période de validité.

Le client pourra bénéficier d'autres droits, variables d'une juridiction à l'autre.

Si ce produit a été fabriqué pour une exportation et une vente en dehors des États-Unis ou de ses territoires, cette garantie limitée ne s'appliquera pas. Le retrait du numéro de série sur ce produit ou l'achat de ce produit auprès d'un revendeur non agréé annulera cette garantie limitée. Cette garantie est régulièrement mise à jour. Pour obtenir la toute dernière version de la garantie de QSC, rendez-vous sur le site www.qscaudio.com. Contactez-nous au 800-854-4079 ou visitez notre site Web www.qscaudio.com.

Pour contacter QSC Audio Products

Adresse postale : QSC Audio Products, Inc.
1675 MacArthur Boulevard
Costa Mesa, CA 92626-1468, États-Unis

Téléphone :

Standard +1 (714) 754-6175

Ventes & Marketing +1 (714) 957-7100 ou numéro vert (États-Unis seulement) +1 (800) 854-4079

Service clientèle +1 (714) 957-7150 ou numéro vert (États-Unis seulement) +1 (800) 772-2834

Télécopieur :

Ventes & Marketing Télécopieur +1 (714) 754-6174

Service clientèle Télécopieur +1 (714) 754-6173

Site Web : www.qscaudio.com

E-mail : info@qscaudio.com

service@qscaudio.com





1675 MacArthur Blvd., Costa Mesa, CA, 92626 USA
Zentrale +1 (714) 754-6175 Verkauf und Marketing +1 (714) 957-7100
oder gebührenfrei (nur in den USA) +1 (800) 854-4079
Kundendienst +1 (714) 957-7150 oder gebührenfrei (nur in den USA) +1 (800) 772-2834

Kinolautsprecheranlagen - Benutzerhandbuch

Hochfrequenzkomponente HF-75

Einführung

Die Hochfrequenzkomponente HF-75 ist Bestandteil der Zweiweg-Lautsprecher SC-412 und SC-422 mit doppelverstärktem Leinwandkanal für Hochleistungs-Kinoanwendungen. Der Lieferumfang enthält zwei separate Komponenten: die Hochfrequenzanlage HF-75 und die Tieftonanlage LF-4115 oder LF-4215.

Die im Großformat ausgelegte Hochfrequenzanlage HF-75 umfasst einen 3-Zoll-(75-mm-) Titan-Komprimierungstreiber, der auf einem speziell konstruierten Kino-Schalltrichter mit verstellbarer Schwenkarm-Halterung befestigt ist. Durch die breitwinkelige horizontale und vertikale Abstrahlung des Schalltrichters wird gewährleistet, dass der Beschallungsbereich alle Sitze im Zuschauerraum einschließt. Bei dem Schalltrichter handelt es sich um einen Wellenleiter mit geringer Verzerrung und äußerst klarer Dialogwiedergabe ohne das nasal eingefärbte Klangbild, wie es oftmals bei konventionellen Schalltrichter-Lautsprechern auftritt.

Die Komponente HF-75 umfasst ein Treiberschutz- und Equalizing-Netzwerk. Gleichstrom blockierende Kondensatoren bieten Schutz vor Gleichstrom- bzw. Niederfrequenzsignalen, die einen ungeschützten Treiber sehr wahrscheinlich zerstören würden. Leistungsbegrenzungsschaltkreise schützen den Treiber vor Leistungsüberschreitung und ein Frequenzgangkorrekturfilter glättet den Frequenzgang der Schalltrichter/Treiber-Kombination. Durch das Treiber- und Equalizing-Netzwerk wird die Zuverlässigkeit erhöht, um eine unterbrechungsfreie Vorstellung zu gewährleisten.

Für eine schnelle Montage am Einsatzort sind die HF-75-Komponenten vormontiert. Zur Befestigung der Komponente HF-75 auf dem Niederfrequenzgehäuse sind lediglich drei Schrauben erforderlich.

Montage

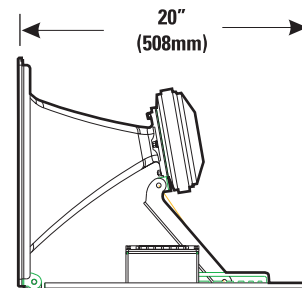
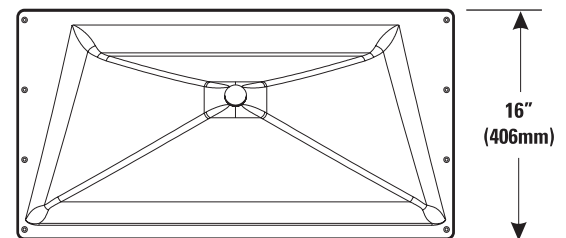
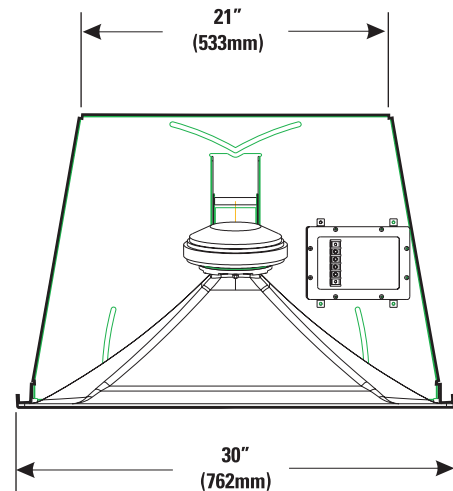
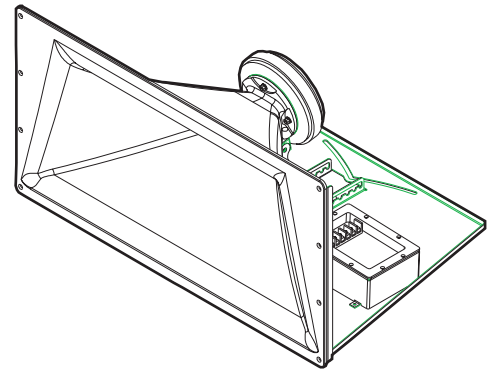
Einzelheiten zur Montage sind der Abbildung zu entnehmen. Die Komponente HF-75 wird mit drei Schrauben (5/16-18, 19 mm lang) und Federringen auf dem LF-4115 oder dem LF-4215 befestigt. Beim Einsetzen der Schrauben wird die Verwendung eines lösaren Sicherungslacks empfohlen, um ein vibrationsbedingtes Lockern der Schrauben zu verhindern. Vor dem Festziehen den Schalltrichter auf dem Schwenkarm horizontal ausrichten. Die vertikale Neigung durch Verstellung der Schwenkarm-Halterung einstellen.



Die Installation von einem lizenzierten Fachtechniker gemäß der Anleitung von QSC Audio Products vornehmen lassen. Nur von QSC Audio Products, Inc. spezifizierte Befestigungskomponenten, Montagezubehör oder Halterungen verwenden. Wartungsarbeiten nur von qualifiziertem Personal ausführen lassen. Wartungsmaßnahmen sind erforderlich, wenn das Produkt auf irgendeine Weise beschädigt wurde.



ACHTUNG! Inspizieren Sie vor dem Aufstellen, Installieren, Verdrahten oder Aufhängen von Lautsprecherprodukten alle Befestigungsteile, Aufhängungen, Gehäuse, Wandler, Halterungen und damit in Verbindung stehende Vorrichtungen auf eventuelle Schäden. Fehlende, korrodierte, verformte oder nicht belastbare Komponenten könnten die Stabilität der Installation, der Aufstellung oder der Gerätekombination deutlich reduzieren. Jeder Zustand dieser Art bewirkt eine erhebliche Verringerung der Sicherheit der Installation und sollte umgehend behoben werden. Verwenden Sie ausschließlich Befestigungsteile, die für die Belastungsbedingungen der Installation zugelassen und für jede potenzielle, unerwartete, kurzfristige Überlastung ausgelegt sind. Die Nennleistung der Befestigungsteile bzw. Ausrüstung darf keinesfalls überschritten werden. In Zweifelsfällen oder bei Fragen zur Installation eines Geräts sollten Sie einen qualifizierten Techniker hinzuziehen.



Verbindungen

Die Komponente HF-75 ist mit Barrier-Strip-Schraubklemmen für Lautsprecher-Litzendraht mit einem maximalen Querschnitt von 10 AWG (5,2 mm²) ausgestattet.

Hochfrequenz-Eingangsklemmen (HF INPUT)

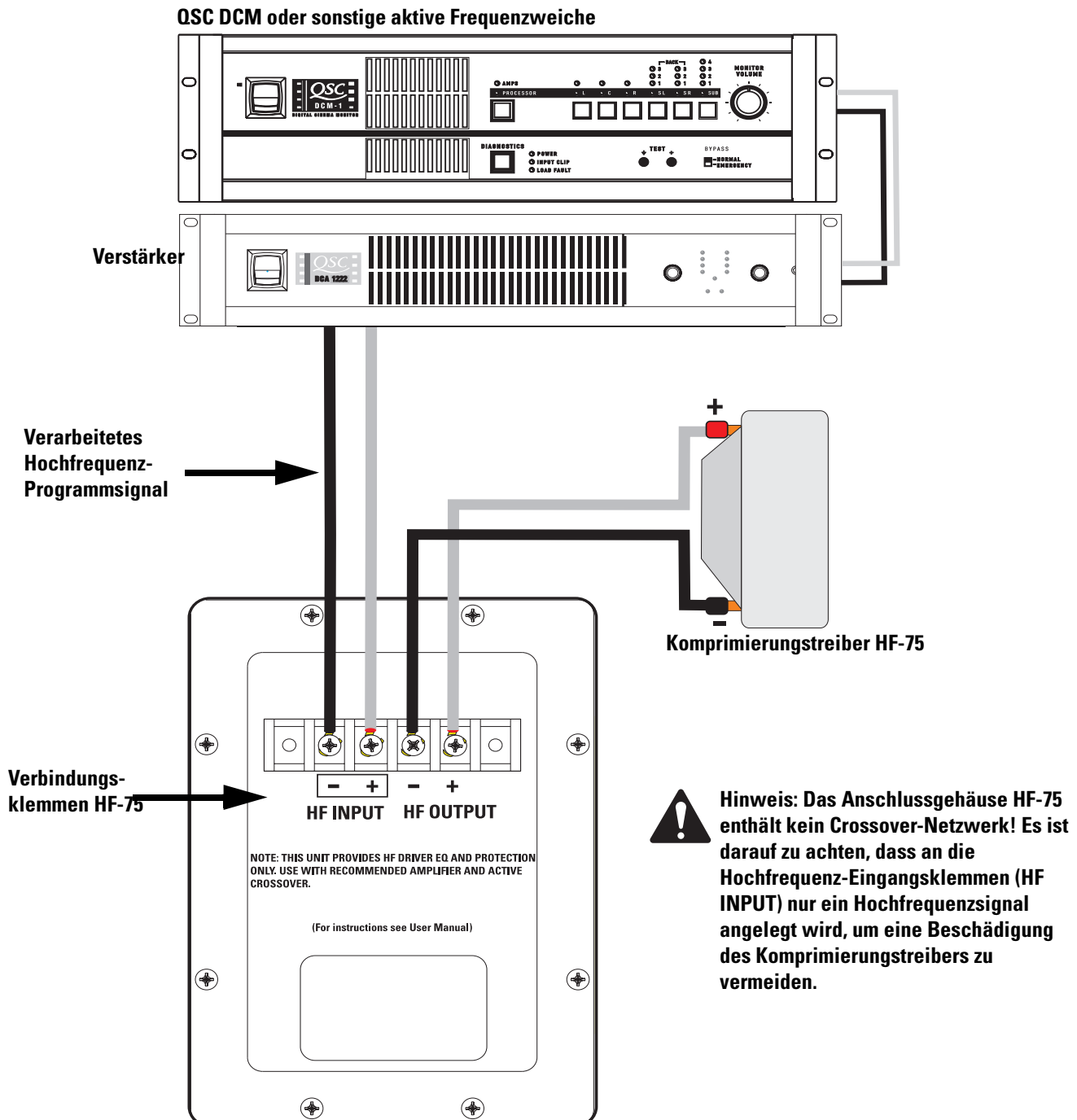
Das Verstärker-Ausgangssignal an die Lautsprechereingangsklemmen HF INPUT anschließen. Darauf achten, dass die richtige Polarität gewahrt ist: Das Plus-Signal (+) des Verstärkers muss an das Plus-Signal (+ HF INPUT) des Lautspeichers und das Minus-Signal (-) des Verstärkers muss an das Minus-Signal des Lautspeichers (- HF INPUT) angeschlossen werden. Stets den größtmöglichen Leiterquerschnitt und die kürzeste Leiterlänge verwenden.



HINWEIS! Zur Optimierung der Leistung muss die richtige Polarität der Lautsprecheranschlüsse in der gesamten Anlage gewahrt sein. An der Komponente HF-75 kein Vollbereichssignal anlegen! Die Komponente HF-75 enthält keine Frequenzweiche, sondern lediglich ein Kompensations-/Verzögerungsnetzwerk. Sämtliche erforderliche Signalverarbeitung muss der HF-75 vorgelagert sein.

Hochfrequenz-Ausgangsklemmen (HF OUTPUT)

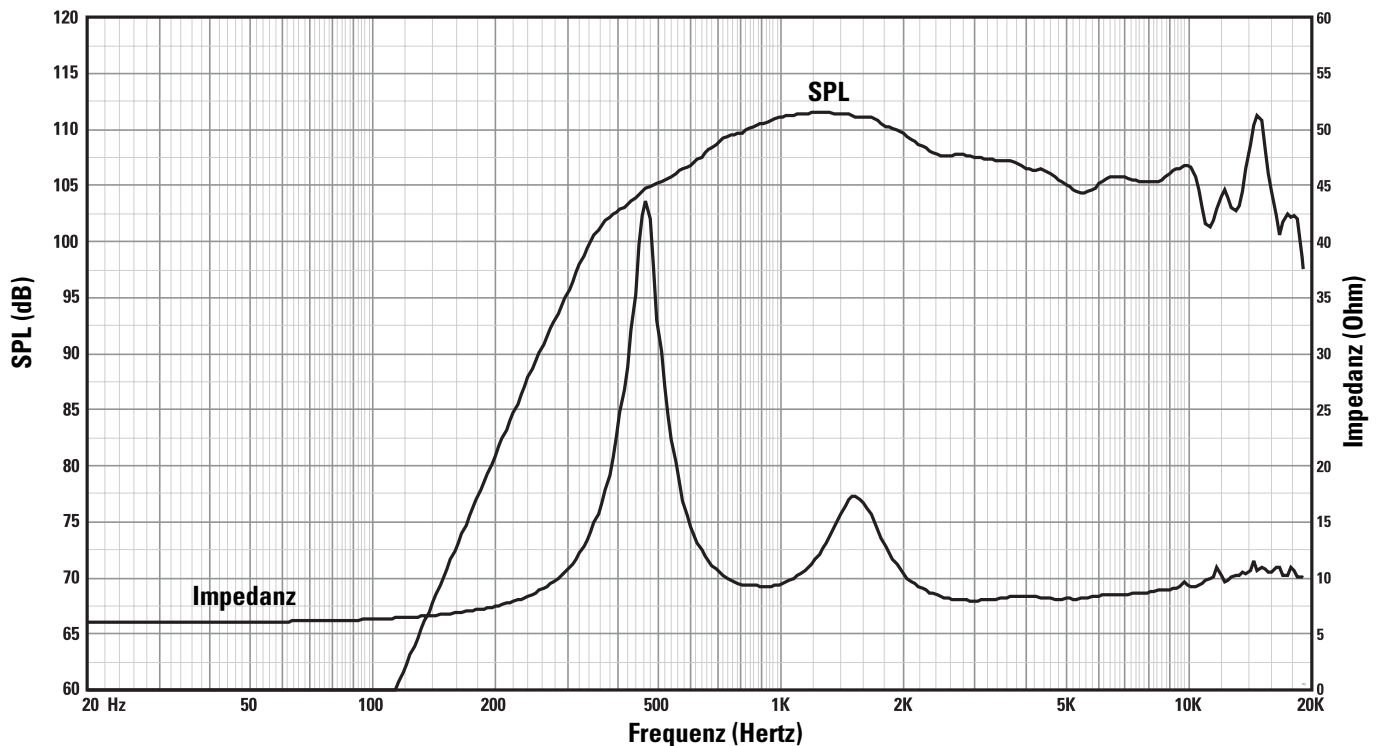
Die Hochfrequenz-Ausgangsklemmen (HF OUTPUT) wurden werkseitig mit dem Komprimierungstreiber verbunden. Sie sollten AUSSCHLIESSLICH mit dem Komprimierungstreiber der HF-75 verbunden sein.



HF-75 - Technische Daten (können jederzeit ohne vorherige Mitteilung geändert werden)

Frequenzbereich:	600 Hz - 16 kHz (-6 dB, Vollraum)
Nominelle Abstrahlung:	90° horizontal x +15 bis -35° vertikal (50° insgesamt, vertikale Einstellung erfolgt durch verstellbare Schwenkarm-Halterung). Die horizontale Abstrahlung kann durch Änderung der Montageposition auf dem Gehäuse LF-4215 vor dem Festziehen der Schrauben eingestellt werden.
DI:	9,0 dB (durchschnittl. 600 bis 16.000 Hz)
Q:	8,0 (durchschnittl. 600 bis 16.000 Hz)
Maximaler Ausgang:	133 dB berechneter Spitzen-SPL, 1 m, Halbraum
Impedanz:	8 Ohm (nominell) 8,0 Ohm min. bei 3.000 Hz 104 Ohm max. bei 475 Hz
Maximale Eingangsleistung:	60 W eff. (100 Stunden bei Rosa-Rauschen mit einem Crestfaktor von 6 dB, 500 bis 20.000 Hz, IEC-Methode) 80 W eff. (2 Stunden Rosa-Rauschen mit einem Crestfaktor von 6 dB, 60 - 6.000 Hz, AES-Methode)
Empfindlichkeit:	108 dB Halbraum, 1 W, 1 m
Crossover-Frequenz:	700 Hz oder höher, 24 dB je Oktave
Anschlüsse:	Barrier-Strip-Schraubklemmen für Litzen Draht-Querschnitt bis zu 10 AWG (5,2 mm ²). 4 Klemmen: 2 HF-Eingangsklemmen (HF INPUT) und 2 Nachkompensationsausgänge (HF OUTPUT). HF OUTPUT werkseitig mit Komprimierungstreiber verbunden.
Wandler:	1,5-Zoll- (38-mm-) Ausgang, 3,0-Zoll- (76-mm-) Titan-Komprimierungstreiber.
Befestigungsteile:	Befestigung auf dem Niederfrequenzgehäuse mit drei Schrauben (5/16-18, 19 mm lang)
Größe:	762 mm breit x 406 mm hoch x 508 mm tief
Gewicht:	Versandgewicht: 22,7 kg, Nettogewicht: 18,4 kg

SPL und Impedanz im Verh. zur Frequenz



Garantie (nur für die USA; wenden Sie sich zwecks Garantieinformationen für andere Länder an Ihren Händler oder Distributor)

Haftungsausschluss

QSC Audio Products, Inc. ist nicht für Schäden an Verstärkern oder anderen Geräten haftbar, die durch Fahrlässigkeit oder eine unsachgemäße Installation und/oder Verwendung dieses Lautsprecherprodukts verursacht werden.

Beschränkte Dreijahresgarantie durch QSC Audio Products

QSC Audio Products, Inc. („QSC“) gewährleistet, dass seine Produkte für einen Zeitraum von drei (3) Jahren ab dem Kaufdatum keine Material- und/oder Ausführungsfehler aufweisen werden, und QSC verpflichtet sich zum Ersatz defekter Teile und zur Reparatur funktionsgestörter Produkte gemäß dieser Garantie, wenn dieser Fehler bei einer normalen Installation und unter normalen Gebrauchsbedingungen auftritt – vorausgesetzt, dass das Gerät unter Vorauszahlung der Transportkosten und zusammen mit einer Kopie des Kaufnachweises (z.B. der Kaufquittung) an unser Werk zurückgeschickt oder an eine unserer autorisierten Kundendienststellen eingeschickt wird. Diese Garantie setzt voraus, dass die Prüfung des zurückgeschickten Produkts in unserem Ermessen einen Herstellungsdefekt zu erkennen gibt. Diese Garantie erstreckt sich auf keine Produkte, die einer unsachgemäßen oder fahrlässigen Behandlung, Unfällen oder einer unvorschriftsmäßigen Installation unterlagen, oder deren Datumscode entfernt oder unkenntlich gemacht wurde. QSC ist für keine Neben- und/oder Folgeschäden haftbar. Diese Garantie gewährt Ihnen bestimmte Rechte. Diese beschränkte Garantie ist während der Garantiezeit frei übertragbar.

Manche Kunden können je nach Rechtsprechung zusätzliche und andere Rechte besitzen.

Falls dieses Produkt zum Export und Verkauf außerhalb der Vereinigten Staaten oder deren Hoheitsgebieten hergestellt wurde, besitzt diese eingeschränkte Garantie keine Gültigkeit. Die Entfernung der Seriennummer auf diesem Produkt oder der Kauf dieses Produkts von einem nicht autorisierten Händler macht diese beschränkte Garantie unwirksam. Diese Garantie wird gelegentlich aktualisiert. Die jeweils aktuellste Version der Garantieerklärung von QSC finden Sie im Internet unter www.qscaudio.com. Sie erreichen uns telefonisch unter +1 800-854-4079 (gebührenfrei in den USA und Kanada) oder im Internet unter www.qscaudio.com.

Kontaktaufnahme mit QSC Audio Products

Postanschrift: QSC Audio Products, Inc.
1675 MacArthur Boulevard
Costa Mesa, CA 92626-1468 USA

Telefonnummern:

Zentrale: +1 (714) 754-6175

Verkauf und Marketing +1 (714) 957-7100 oder gebührenfrei (nur in den USA) +1 (800) 854-4079

Kundendienst +1 (714) 957-7150 oder gebührenfrei (nur in den USA) +1 (800) 772-2834

Fax-Nummern:

Verkauf und Marketing (Fax) +1 (714) 754-6174

Kundendienst (Fax) +1 (714) 754-6173

Internet: www.qscaudio.com

E-Mail: info@qscaudio.com

service@qscaudio.com





1675 MacArthur Blvd., Costa Mesa, CA, 92626 USA
Zentrale +1 (714) 754-6175 Verkauf und Marketing +1 (714) 957-7100
oder gebührenfrei (nur in den USA) +1 (800) 854-4079
Kundendienst +1 (714) 957-7150 oder gebührenfrei (nur in den USA) +1 (800) 772-2834

Kinolautsprecheranlagen - Benutzerhandbuch

Niederfrequenzlautsprecher LF-4215

Einführung

Das Gehäuse des LF-4215-Lautsprechers mit zwei 15-Zoll- (381-mm-) Niederfrequenzwandlern wurde speziell für Kinoanwendungen konstruiert. Da diese Anlage mit ihrem erweiterten Niederfrequenzgang die Voraussetzung für Kinoanwendungen erfüllt, unterscheidet sie sich von konventionellen „Rock-and-Roll“-Tiefenlautsprechern. Je nach den Anforderungen der Hochfrequenzanlage deckt das Modell LF-4215 den Frequenzbereich zwischen 35 und 1000 Hz ab. Durch die eng nebeneinander angeordneten, direktgekoppelten Tiefenlautsprecher (CCW - Close Coupled Woofers) werden im Vergleich zu Anordnungen mit größeren Abständen eine optimierte Kopplung und ein größerer Abstrahlwinkel bei größerem Frequenzbereich erzielt.

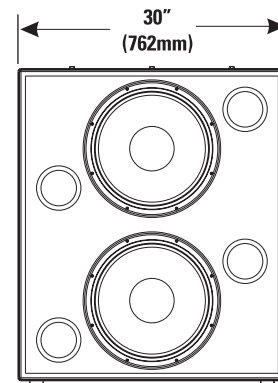
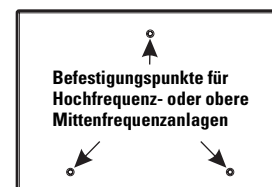
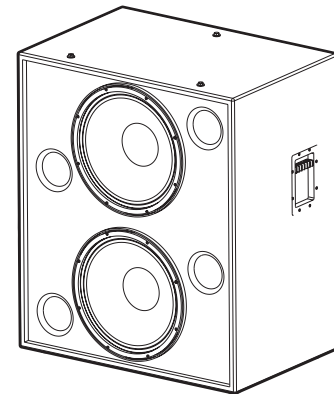
Die zwei 15-Zoll-Wandler mit 400 W wurden speziell für Kinoanwendungen entwickelt. Sie sind mit ungewöhnlich großen 4-Zoll- (100-mm-) Schwingspulen und, zur Gewährleistung kühler Betriebstemperaturen auch bei hohen Leistungspegeln, mit einem mehrfach belüfteten Polstück ausgestattet. Kühlere Temperaturen verlängern die Lebensdauer der Wandler und reduzieren das Problem der Leistungskomprimierung bei hoher Leistung. Durch das hinterschnittene Polstück wird die Schwingspule in einem symmetrischen Magnetluftspalt betrieben, was zu einer Reduzierung der sekundären harmonischen Verzerrung führt.

Das Gehäuse ist aus hochwertigen Pressspanplatten mittlerer Dichte gefertigt und weist einzelne Tiefenlautsprecherkammern (d. h. eine separate Kammer für jeden Wandler) auf. Im seltenen Fall eines Wandlerausfalls wird hierdurch eine übermäßige Auslenkung der restlichen Wandler aufgrund einer unsachgemäßen Belastung der Box verhindert.

Große Öffnungen mit Vollradius sorgen besonders bei hoher Leistung für eine gleichmäßige Luftströmung durch die Öffnungen. Auf diese Weise werden hörbare Luftgeräusche an der Öffnung vermieden. Sowohl die internen als auch die externen Öffnungen sind mit Vollradius versehen.

Die Bass-Öffnungen sind auf jeder Seite der Wandler in gleichmäßigem Abstand angeordnet. Diese symmetrische Belastung der Öffnungen (Symmetrical Port Loading - SPL) bewirkt einen besseren Ausgleich des Innendrucks an der Wandler-Rückseite. Dadurch wird eine seitliche Auslenkung der Membran durch asymmetrische Kräfte verhindert und eine mögliche Abweichung der Schwingspule aus ihrer Mittelstellung im Luftspalt bei hoher Leistung reduziert.

Die Montage der Hochfrequenz-Anlage HF-75 bzw. des oberen Mittenfrequenz-Systems MH-1075 von QSC wird durch drei T-Muttern oben im Gehäuse erleichtert.



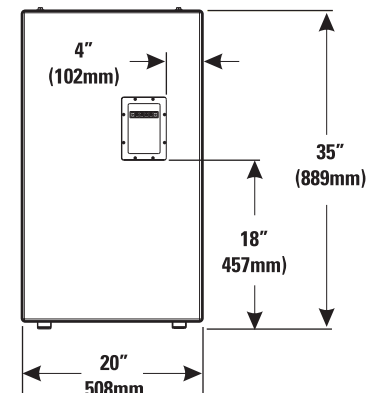
Das Gehäuse ist nicht für Hänge-, Flug- oder Abspannanwendungen vorgesehen. Dieses Gehäuse darf weder aufgehängt noch in Flug- oder Abspannanwendungen eingesetzt werden.

Dieses Produkt kann Schalldruckpegel erzeugen, die permanenten Gehörschaden verursachen können. Den Schalldruckpegel stets auf einen Pegel im Hörbereich einstellen, der keinen Gehörschaden verursacht.

Die Installation von einem lizenzierten Fachtechniker gemäß der Anleitung von QSC Audio Products vornehmen lassen. Nur von QSC Audio Products, Inc. spezifizierte Befestigungskomponenten, Montagezubehör oder Halterungen verwenden. Wartungsarbeiten nur von qualifiziertem Personal ausführen lassen. Wartungsmaßnahmen sind erforderlich, wenn das Produkt auf irgendeine Weise beschädigt wurde.



ACHTUNG! Inspizieren Sie vor dem Aufstellen, Installieren, Verdrahten oder Aufhängen von Lautsprecherprodukten alle Befestigungsteile, Aufhängungen, Gehäuse, Wandler, Halterungen und damit in Verbindung stehende Vorrichtungen auf eventuelle Schäden. Fehlende, korrodierte, verformte oder nicht belastbare Komponenten könnten die Stabilität der Installation, der Aufstellung oder der Gerätekombination deutlich reduzieren. Jeder Zustand dieser Art bewirkt eine erhebliche Verringerung der Sicherheit der Installation und sollte umgehend behoben werden. Verwenden Sie ausschließlich Befestigungsteile, die für die Belastungsbedingungen der Installation zugelassen und für jede potenzielle, unerwartete, kurzfristige Überlastung ausgelegt sind. Die Nennleistung der Befestigungsteile bzw. Ausrüstung darf keinesfalls überschritten werden. In Zweifelsfällen oder bei Fragen zur Installation eines Geräts sollten Sie einen qualifizierten Techniker hinzuziehen.



Verbindungen

Normaler Anschluss

Das Modell LF-4215 wird über Barrier-Strip-Schraubklemmen angeschlossen. Die Klemmen können Lautsprecher-Litzendraht bis zu einer Stärke von 10 AWG (5,2 mm²) aufnehmen. Bei der Installation stets den größtmöglichen Leiterquerschnitt und die kürzeste Leiterlänge verwenden. Die Polaritätsmarkierungen beachten und zur Erzielung optimaler Leistung auf eine gleich bleibende Polarität in der gesamten Anlage achten.

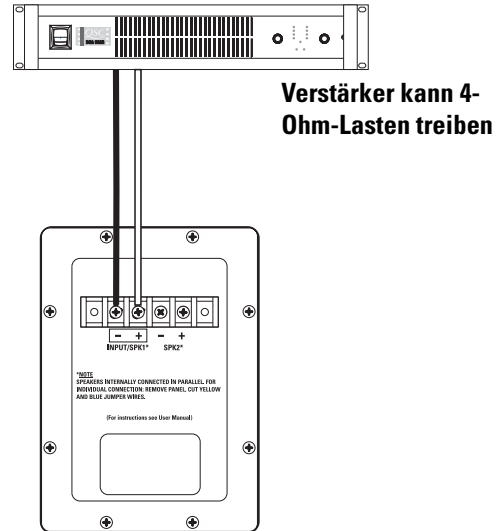
Paralleler Anschluss des zweiten SB-5218

Ein weiterer LF-4215 kann über die mit der Bezeichnung SPK2 gekennzeichnete Klemme parallel angeschlossen werden. Die Drähte wie in der rechten Abbildung dargestellt anschließen. Hinweis: Wenn die interne Verdrahtung des LF-4215 auf irgendeine Weise modifiziert wurde, ist dieser Anschluss möglicherweise nicht funktionsfähig. In diesem Fall muss die Klemmenbuchse entfernt und geprüft werden, ob der werkseitig installierte gelbe und blaue Überbrückungsdraht vorhanden sind. Nach Bedarf Abhilfe schaffen oder den Lautsprecher reparieren lassen.

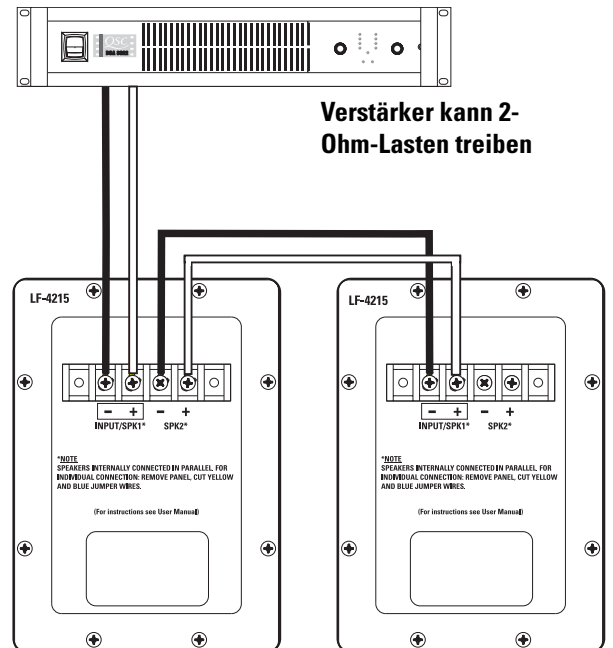
Anschluss einzelner Wandler (Modifizierung erforderlich)

Die Wandler sind im Gehäuse parallel verdrahtet. Wenn die Wandler separat angeschlossen werden müssen, die Klemmenbuchse entfernen und den zwischen den Klemmen SPK1 und SPK2 angeschlossenen gelben und blauen Überbrückungsdraht entfernen. Die Klemmenbuchse wieder anbringen und die Modifikation auf dem Gehäuse notieren.

Beispiel eines normalen Anschlusses:

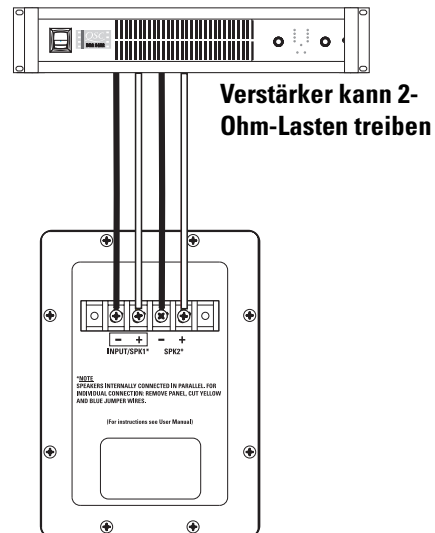


Beispiel eines parallelen Anschlusses:



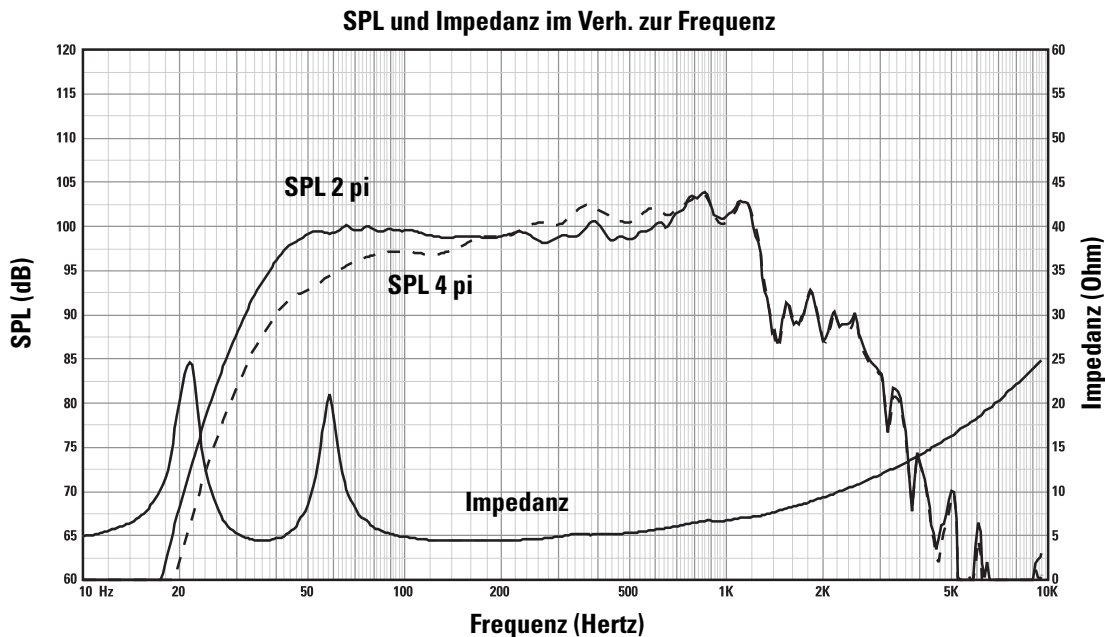
Einzelner Wandler, Anschlussbeispiel:

⚠ VORSICHT! Setzt den Ausbau der Klemmenbuchse und das Trennen des gelben und blauen Überbrückungsdrahts voraus, die die Klemmen SPK1 und SPK2 verbinden.



LF-4215 - Technische Daten (können jederzeit ohne vorherige Mitteilung geändert werden)

Frequenzbereich:	38 Hz - 1300 Hz (± 3 dB) Nutzbereich 30 - 1400 Hz (-10 dB)
Nominelle Abstrahlung:	100° horizontal x 55° vertikal bei 600 Hz
Maximaler Ausgang:	134,5 dB berechneter Spitzen-SPL, 1 m, Halbraum bei effektiver Nennleistung mit Rosa-Rauschen-Eingang-Crestfaktor von 6 dB, 25 - 250 Hz; 128,5 dBA berechneter kontinuierlicher Maximal-SPL, 1 m Schallquellen, die permanenten Gehörschaden verursachen können, werden in der Regel mithilfe der dBA-Skala identifiziert.
Impedanz:	4 Ohm (nominell) 3,4 Ohm min., 150 Hz 25 Ohm max., 22 Hz
Maximale Eingangsleistung:	800 W eff. (100 Stunden bei Rosa-Rauschen mit einem Crestfaktor von 6 dB, 30 - 500 Hz) 1000 W eff. (2 Stunden bei Rosa-Rauschen mit einem Crestfaktor von 6 dB, 30 - 500 Hz, AES-Methode) Empfohlene Verstärkerleistung: max. 1600 W eff. über 4 Ohm (je LF-4218)
Empfindlichkeit:	99,5 dB Halbraum, 93,5 dB Vollraum, 35 - 1000 Hz, 1 W, 1 m
Empfohlene Verarbeitung:	Untertonfrequenzfilter unter 30 Hz, >18 dB je Oktave, empfohlene maximale Crossover-Frequenz: 1000 Hz. QSC DSP-Konfigurationen können im Internet unter www.qscaudio.com eingesehen werden. Parameter für alternative Verarbeitungshardware sind auf Anfrage erhältlich.
Anschlüsse:	Barrier-Strip-Schraubklemmen für Litzendraht-Querschnitt bis zu 10 AWG (5,2 mm ²). 4 Klemmen: 2 Eingangsklemmen (INPUT) und 2 parallele Ausgangsklemmen (PARALLEL OUT). Druckkammertreiber sind intern parallel verdrahtet. Für separate Wandleranschlüsse müssen der blaue und der gelbe Überbrückungsdraht an der Innenseite der Klemmenbuchse entfernt werden. Das Gehäuse entsprechend markieren.
Wandler:	Zwei 15-Zoll- (381-mm-) Hochleistungs-Niederfrequenzwandler mit belüfteten 4-Zoll- (100-mm-) Kupfer-Schwingspulen auf Kapton® Schablonen. Für hohe Auslenkung/geringe Verzerrung, äußerst hohe Belastbarkeit und geringe Wärmekomprimierung und Port Compression.
Gehäuse:	Quasi-B4-Ausrichtung, Vollradius-Öffnungen, geringe Luftgeräusche durch symmetrische Öffnungsanordnung, auf 36 Hz abgestimmt, aus Pressspanplatten mittlerer Dichte gefertigt und stabil verstrebt. Vandalismussichere Tieftonlautsprecher-Montagebolzen.
Größe:	762 mm breit x 889 mm hoch x 508 mm tief
Gewicht:	Versandgewicht 88 kg, Nettogewicht 78 kg



Garantie (nur für die USA; wenden Sie sich zwecks Garantieinformationen für andere Länder an Ihren Händler oder Distributor)

Haftungsausschluss

QSC Audio Products, Inc. ist nicht für Schäden an Verstärkern oder anderen Geräten haftbar, die durch Fahrlässigkeit oder eine unsachgemäße Installation und/oder Verwendung dieses Lautsprecherprodukts verursacht werden.

Beschränkte Dreijahresgarantie durch QSC Audio Products

QSC Audio Products, Inc. („QSC“) gewährleistet, dass seine Produkte für einen Zeitraum von drei (3) Jahren ab dem Kaufdatum keine Material- und/oder Ausführungsfehler aufweisen werden, und QSC verpflichtet sich zum Ersatz defekter Teile und zur Reparatur funktionsgestörter Produkte gemäß dieser Garantie, wenn dieser Fehler bei einer normalen Installation und unter normalen Gebrauchsbedingungen auftritt – vorausgesetzt, dass das Gerät unter Vorauszahlung der Transportkosten und zusammen mit einer Kopie des Kaufnachweises (z.B. der Kaufquittung) an unser Werk zurückgeschickt oder an eine unserer autorisierten Kundendienststellen eingeschickt wird. Diese Garantie setzt voraus, dass die Prüfung des zurückgeschickten Produkts in unserem Ermessen einen Herstellungsdefekt zu erkennen gibt. Diese Garantie erstreckt sich auf keine Produkte, die einer unsachgemäßen oder fahrlässigen Behandlung, Unfällen oder einer unvorschriftsmäßigen Installation unterlagen, oder deren Datumscode entfernt oder unkenntlich gemacht wurde. QSC ist für keine Neben- und/oder Folgeschäden haftbar. Diese Garantie gewährt Ihnen bestimmte Rechte. Diese beschränkte Garantie ist während der Garantiezeit frei übertragbar.

Manche Kunden können je nach Rechtsprechung zusätzliche und andere Rechte besitzen.

Falls dieses Produkt zum Export und Verkauf außerhalb der Vereinigten Staaten oder deren Hoheitsgebieten hergestellt wurde, besitzt diese eingeschränkte Garantie keine Gültigkeit. Die Entfernung der Seriennummer auf diesem Produkt oder der Kauf dieses Produkts von einem nicht autorisierten Händler macht diese beschränkte Garantie unwirksam. Diese Garantie wird gelegentlich aktualisiert. Die jeweils aktuellste Version der Garantieerklärung von QSC finden Sie im Internet unter www.qscaudio.com. Sie erreichen uns telefonisch unter +1 800-854-4079 (gebührenfrei in den USA und Kanada) oder im Internet unter www.qscaudio.com.

Kontaktaufnahme mit QSC Audio Products

Postanschrift: QSC Audio Products, Inc.
1675 MacArthur Boulevard
Costa Mesa, CA 92626-1468 USA

Telefonnummern:

Zentrale: +1 (714) 754-6175

Verkauf und Marketing +1 (714) 957-7100 oder gebührenfrei (nur in den USA) +1 (800) 854-4079

Kundendienst +1 (714) 957-7150 oder gebührenfrei (nur in den USA) +1 (800) 772-2834

Fax-Nummern:

Verkauf und Marketing (Fax) +1 (714) 754-6174

Kundendienst (Fax) +1 (714) 754-6173

Internet:www.qscaudio.com

E-Mail:info@qscaudio.com

service@qscaudio.com

QSC Audio Products, Inc. 1675 MacArthur Boulevard Costa Mesa, California 92626 USA
©2003, 2004, „QSC“ und das QSC-Logo sind beim US-Patent- und Markenamt angemeldet.
Kapton® ist eine eingetragene Marke von E.I. du Pont de Nemours and Company.

The logo consists of the letters 'QSC' in a bold, black, sans-serif font. The 'Q' is stylized with a thick, blocky appearance. The 'S' is also bold and blocky, and the 'C' is a simple, thick-lined character. A small trademark symbol (TM) is located at the top right of the 'C'.



1675 MacArthur Blvd., Costa Mesa, CA 92626
 主要号码 (714) 754-6175 销售和市场营销 (714) 957-7100 或免费电话 (仅限美国)
 (800) 854-4079 客服 (714) 957-7150 或免费电话 (仅限美国) (800) 772-2834

影院扬声器系统用户手册

HF-75 高频组件

简介

HF-75 是 SC - 412 和 SC - 422 的高频组件，SC - 412 和 SC - 422 为双向，双放大屏幕的通道放大器，用于高效能的影院。该系统运输时作为两个独立的组件：HF-75 高频系统和 LF-4115 或 LF-4215 低音系统。

HF-75 高频系统具有一个大型格式化的，3" (75 毫米) 钛隔膜压缩驱动器，安装在定制设计的高频影院喇叭上，带有一个可调式面板和盖板支架。喇叭的特色是具有宽水平和垂直覆盖角，确保覆盖大厅的每个座位。喇叭为低失真波导，提供高清晰的对话，但是没有传统喇叭扬声器的“轰轰”本色。

HF-75 含有一个驱动器保护和平衡网络。直流阻塞电容器防止直流或低频信号可能破坏没有防护的驱动器。功率限制器电路防止驱动器功率过大，同时回应修正过滤器平滑喇叭 / 驱动器混合的频率响应。驱动器和平衡网络使运行更可靠，确保演出正常。

HF-75 组件为预组装式，减少现场组装的时间。三个螺栓足够安全地将 HF-75 安装到低频机罩的顶部。

装配

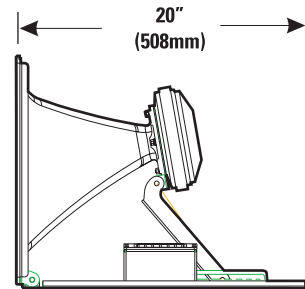
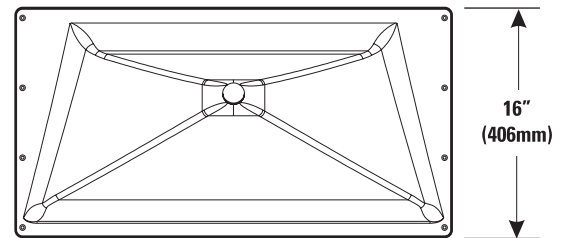
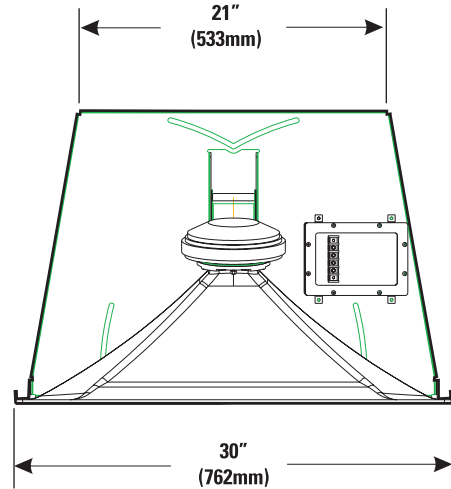
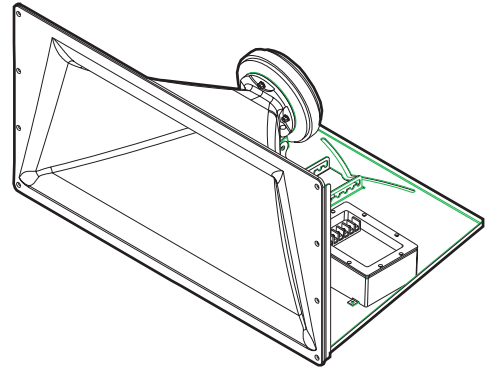
参考插图获得安装信息。HF-75 利用 3 个 0.75" 长、带锁住垫圈的 5/16-18 螺丝连接到 LF-4115 或 LF-4215 的顶部。安装螺栓时为了防止因振动而产生的松动，我们推荐使用可更换的螺纹防松组件。紧固前瞄准水平面上 (面板) 的喇叭。通过支架调整来调整垂直盖板。



按照 QSC Audio Product 的说明并在授权的专业工程师的指导下安装。仅限使用 QSC Audio Product 公司规定的附件、底座、零件或支架。所有维护请由合格的专业人士进行。设备如果受到损坏，就需要进行维修。



警告！放置、安装、装配或悬挂扬声器产品时，检查所有硬件、悬架、搁柜、变频器、支架和相关设备有无损坏。任何额定部件的缺失、腐蚀、变形或未装载都可能大大降低安装、放置或排列的强度。出现任何严重降低安装安全度的情况应立即更正。仅限使用额定安装的硬件及任何可能的短期突发超载。切勿超过硬件或设备的额定标准。如有任何关于物理设备安装的疑问或问题，请咨询获得许可的专业工程师。



连接

HF-75 具有阻挡带螺旋式终端，可以接受高达 #10 AWG 绞合式扬声器电线。

HF 输入终端

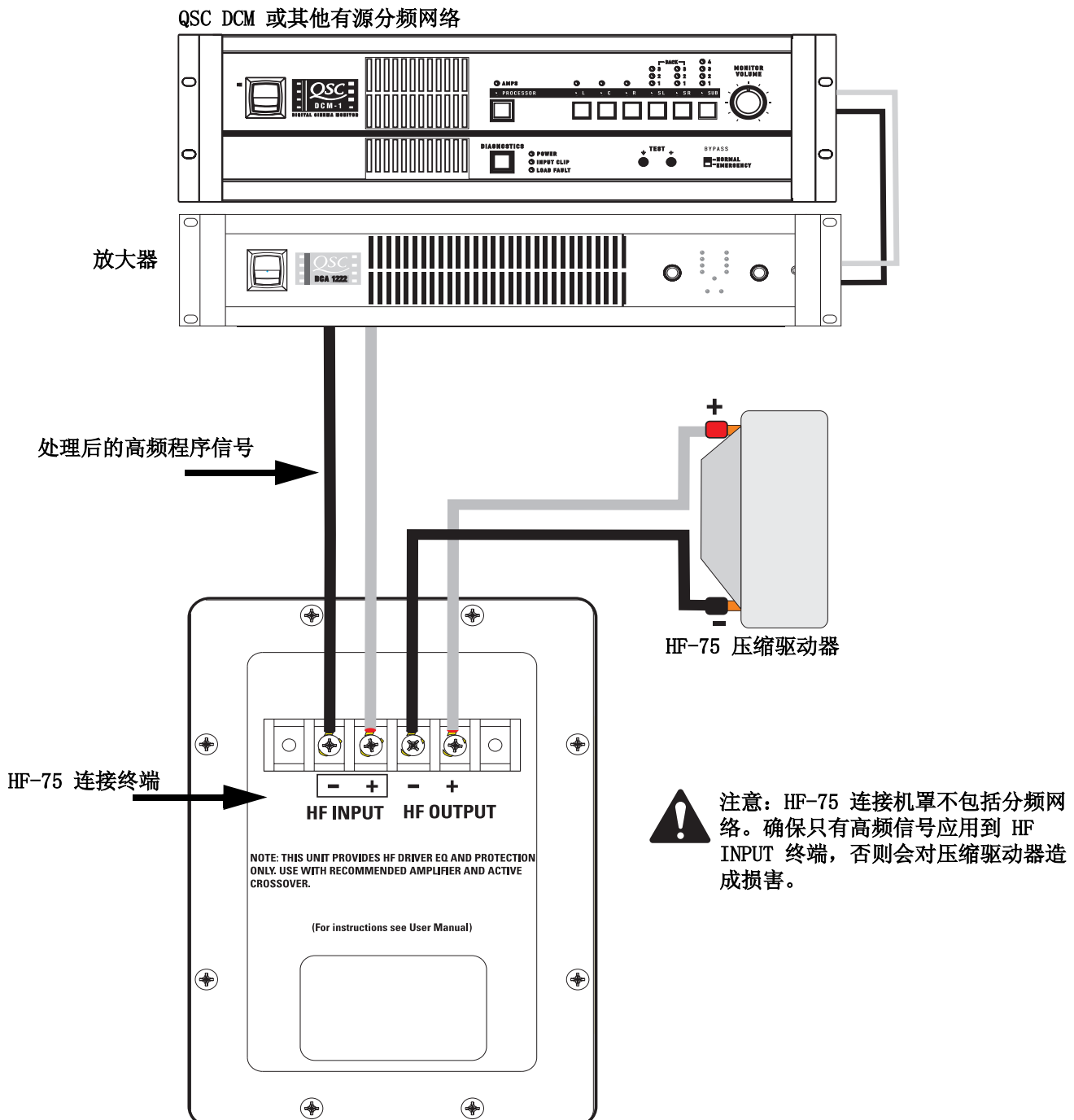
将放大器的输出信号连接到扬声器的 HF 输入终端。观察正确的极性；放大器+信号到扬声器+ HF 输入，放大器-信号到扬声器- HF 输入。使用最大导线尺寸和最短长度。



注意！ 整个系统保持正确的扬声器连接极性，以便获得最佳性能。勿对 HF-75 应用全范围信号！HF-75 中无交叉，只有一个补偿 / 延迟网络。所有要求的信号处理必须在 HF-75 的上流完成。

HF 输出终端

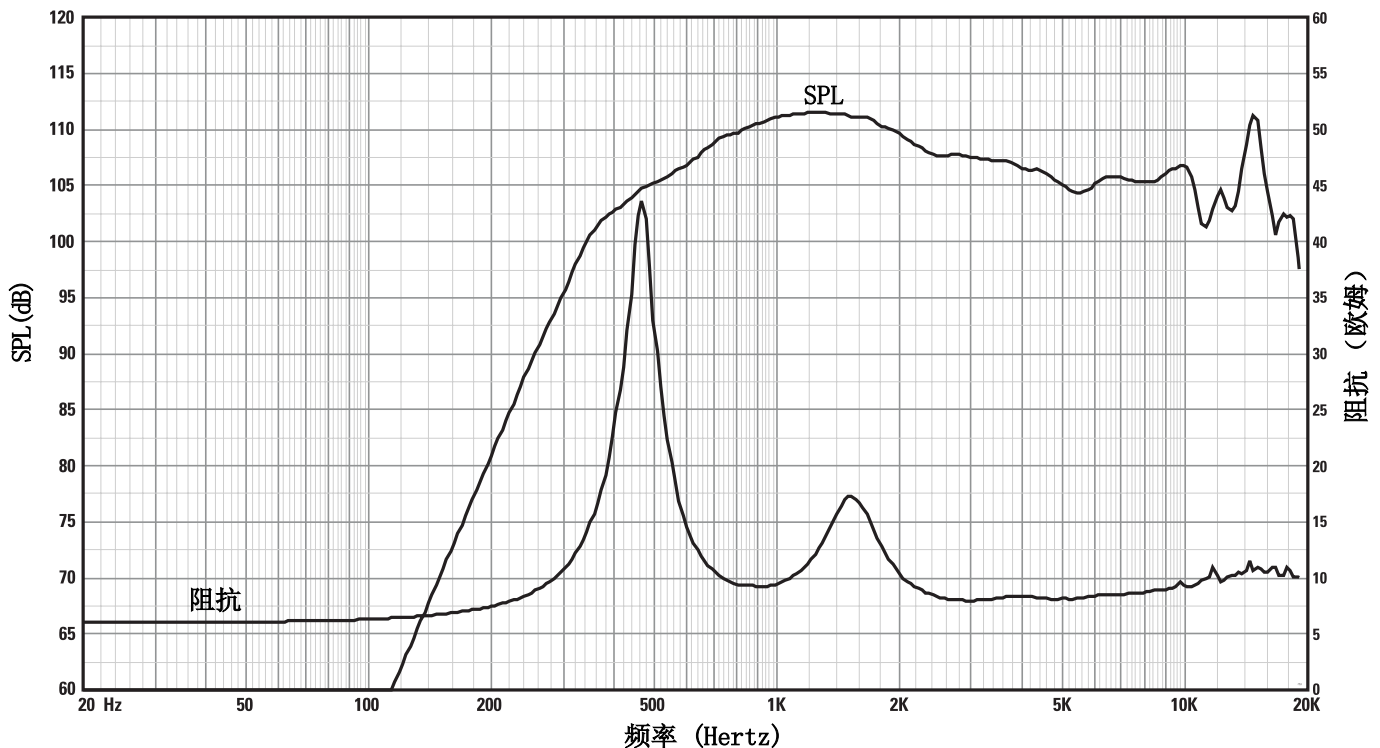
HF 输出终端由工厂连至压缩驱动器。这些终端应仅连到 HF-75 的压缩驱动器。



HF-75 产品规格 (如有改变恕不另行通告)

频率范围：	600 - 16k Hz (-6 dB, 全间距)
标称覆盖范围：	90° 水平 X +15° 到 -35° 垂直 (总计 50° , 可调式安装提供垂直平面调整。紧固螺丝前, 透过改变 LF-4215 机罩上的位置可以调整水平平面。)
DI:	9.0 dB (平均 600 到 16,000 赫兹)
Q:	8.0 (平均 600 到 16,000 赫兹)
最大输出：	133 dB SPL 计算峰值, 1 米, 半间距。
阻抗：	8 欧姆标称 8.0 欧姆最小, 3,000 赫兹 104 欧姆最大, 475 赫兹
最大输入功率：	60 瓦 rms (6 dB 振幅因子粉红噪音 100 小时, 500 到 20,000 赫兹, IEC 方式) 80 瓦 rms (6dB 振幅因子粉红噪声 2 小时, 60 到 6,000 赫兹, AES 方式)
灵敏度：	108 dB 半间距, 1 瓦, 1 米
分频频率：	700 赫兹或更高, 每八分音度 24 dB
连接器：	阻挡带螺旋式终端接受高达 #10 AWG 绞合式布线。四个终端 (两个高频输入和两个后补偿高频输出)。高频输出工厂连接到压缩驱动器。
变频器：	1.5" (38 毫米) 出口, 3.0" (76 毫米) 钛隔膜压缩驱动器。
安装硬件：	使用 5/16" -18 x 3/4" 长螺栓连接到低频箱顶部。
尺寸：	30" (宽) X 16" (高) X 20" (深) (762mm X 406mm X 508mm)
重：	50 磅 (运输), 40 磅 (净重), 22.7/18.4 公斤

SPL 和阻抗 vs. 频率



保修（仅限美国；其它国家，请联系您的经销商或分销商）

声明

QSC Audio Products, Inc. 不承担因疏忽、或不当安装和 / 或不当使用本放大器产品而对扬声器或任何其它设备造成损坏的任何责任。

QSC Audio Products 3 年有限质保协议。

QSC Audio Products, Inc. (QSC) 担保其产品自销售日起三年内不会发生材料或制造工艺缺陷，若在正常安装和使用条件下发生的损坏，QSC 将按照本质保协议更换有缺陷的零件和维修故障产品 - 但您要将本产品送回我们的工厂或任一授权维修点，预付运送费用并附带一份购买证明即销售收据影印本。此质保协议规定，退回的产品检查必须标明经我们判断的制造缺陷。本质保不适用于任何因误用、疏忽、意外事故、不正确地安装，或日期编码被去掉或破损的产品。QSC 不对意外和 / 或间接发生的损害承担责任。此质保赋予您特定的法律权力。此有限质保在保证期内可自由转让。

在不同的州，顾客可能会有额外的权利。

此质保协议不适用于为出口或不在美国销售而生产的产品。产品上缺少序列号，或者从非授权销售商处购买此产品，将失去此有限质保协议。此质保协议定期更新。请浏览：www.qscaudio.com，获得最新版本的 QSC 质保协议声明，联系我们：800-854-4079，或访问我们的网站：www.qscaudio.com。

联系 QSC Audio Products

通信地址 :QSC Audio Products, Inc.
1675 MacArthur Boulevard
Costa Mesa, California 92626-1468 USA

电话:

主要号码 (714) 754-6175

销售和市场部门 (714) 957-7100 或免费电话 (仅限美国) (800) 854-4079

客服 (714) 957-7150 或免费电话 (仅限美国) (800) 772-2834

传真:

销售与市场部门传真 (714) 754-6174

客服传真 (714) 754-6173

网址 www.qscaudio.com

E-mail:info@qscaudio.com

service@qscaudio.com

QSC™

QSC Audio Products, Inc. 1675 MacArthur Boulevard Costa Mesa, California 92626 USA

©2003, 2004 “QSC” 以及 QSC 的标志在美国专利和商标局注册。



1675 MacArthur Blvd., Costa Mesa, CA 92626

主要号码 (714) 754-6175 销售和市场营销 (714) 957-7100 或免费电话 (仅限美国) (800) 854-4079 客服 (714) 957-7150 或免费电话 (仅限美国) (800) 772-2834

影院扬声器系统用户手册

LF-4215 低频扬声器

简介

LF-4215 双 15" (381 毫米) 的低频机壳专为影院应用设计。LF-4215 和传统“摇滚”低音系统的不同之处在于它可以满足影院对扩展低频响应的要求。根据高频系统的要求, LF-4215 可覆盖 35 赫兹到 1000 赫兹的频率范围。由于强耦合低音扬声器 (CCW) 的低音扬声器之间间距小, 因此和大间距设计相比, 具有耦合好, 较大频率范围覆盖角度宽的特点。

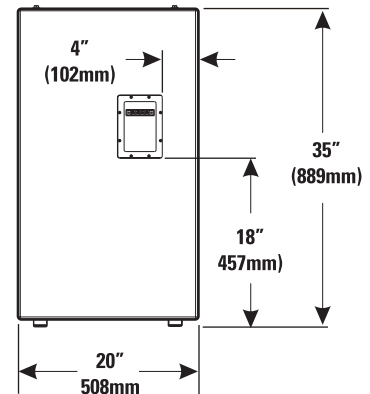
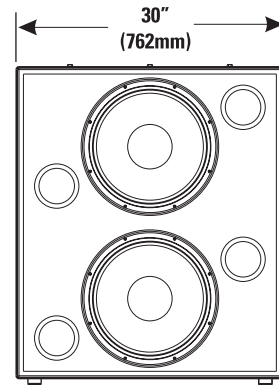
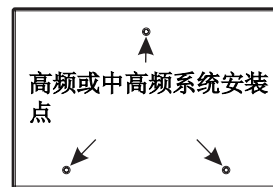
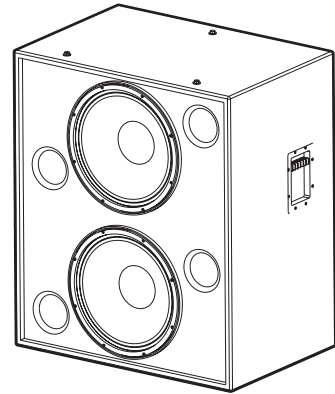
两个定制 400 瓦, 15" 变频器专为影院使用开发。特别具有超大 4" (100 毫米) 音圈和一个多通风板片, 确保即使在高功率的情况下, 也能保持清凉的运行环境。温度低可以增加变频器的寿命, 并且减少高功率下的功率压缩问题。低切极片确保音圈在对称磁隙 (SMG) 中运行, 从而减少了二次谐波失真。

机壳由高质量的总配线架面板构成, 具有单低音室的特点 (SWC, 每个变频器有各自分开的音室)。在非常罕见的情况下如果变频器出现故障, 可以防止不当盒负荷造成的其余变频器振幅过大。

大型、全辐射口 (FRP) 确保气流平稳通过端口, 特别是在功率较高的情况下。这可以防止潜在的声音端口噪音紊乱。无论是内部还是外部端口开口都是全辐射的。

由于具有端口负荷 (SPL), 低音端口均匀地分布在变频器两侧, 使通过变频器背表面的内部压力更加一致。这样就防止了圆锥由于力量失衡而被错误地放置在一边或另一边, 从而减少了高功率情况下将音圈赶出空隙中心的情况。

机罩上部的 3 个 T 形螺母使得安装 QSC 的 HF-75 高频系统或 MH-1075 中高频系统更加容易。



机罩并没有设计成悬挂式、可操纵式、或装配式。请勿对此机罩进行悬挂、操纵或装配。

此产品可产生对人类听觉造成永久损伤的声压强度。请将听音区域内的声压强度总是保持在不会对人的听力造成损伤的水平。

按照 QSC Audio Product 的说明并在授权的专业工程师的指导下安装。仅限使用 QSC Audio Product 公司规定的附件、底座、零件或支架。所有维护请由合格的专业人士进行。设备如果受到损坏, 就需要进行维修。



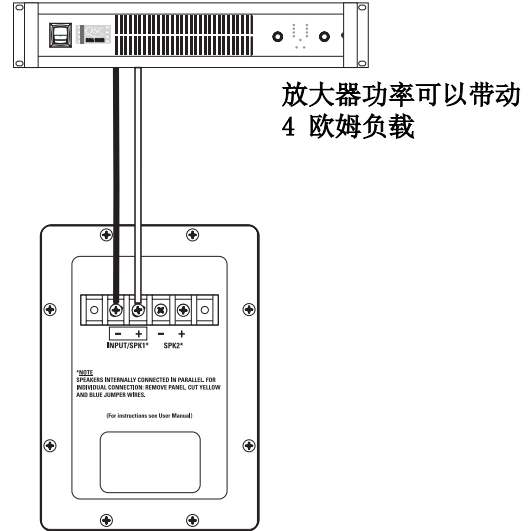
警告! 放置、安装、装配或悬挂扬声器产品时, 检查所有硬件、悬架、搁柜、变频器、支架和相关设备有无损坏。任何额定部件的缺失、腐蚀、变形或未装载都可能大大降低安装、放置或排列的强度。出现任何严重降低安装安全度的情况应立即更正。仅限使用额定安装的硬件及任何可能的短期突发超载。切勿超过硬件或设备的额定标准。如有任何关于物理设备安装的疑问或问题, 请咨询获得许可的专业工程师。

连接

正常连接

LF-4215 具有用于连接的阻挡带螺旋式终端。此终端接受高达 #10AWG 的绞合式扬声器电线。对于特定的安装，尽可能使用最大电线尺寸和最短电线长度。观察极性标志，确保整个系统极性一致，以便获得最佳表现。

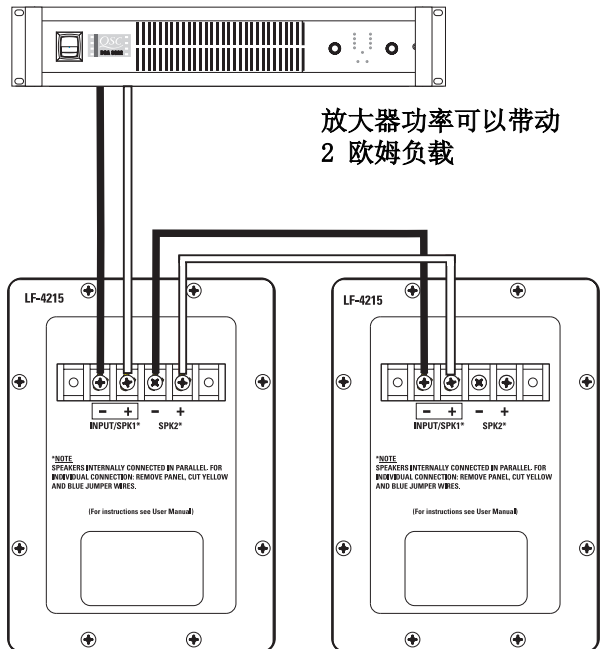
正常连接样例



第二个 SB-5218 并联

终端标志 SPK2 可用于并联另一个 LF-4215。按照右图所示连接线路。注意：如果 LF-4215 的内部连线经过任何修改，便不会起作用。如果情况如此，拿掉终端杯，然后验证有无工厂黄色跳线电线和蓝色跳线电线；按要求修改或者对此扬声器进行维修。


并联样例

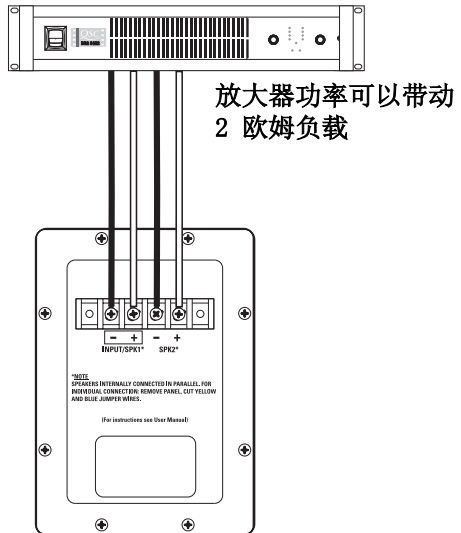


单个变频器连接（需要修改）

变频器在机罩内并行连线。如果要求单个变频器连接，拿掉终端杯，然后拿掉连接在 SPK1 和 SPK2 终端间的黄色和蓝色跳线电线。换掉终端杯，然后在机罩上作修改标记。

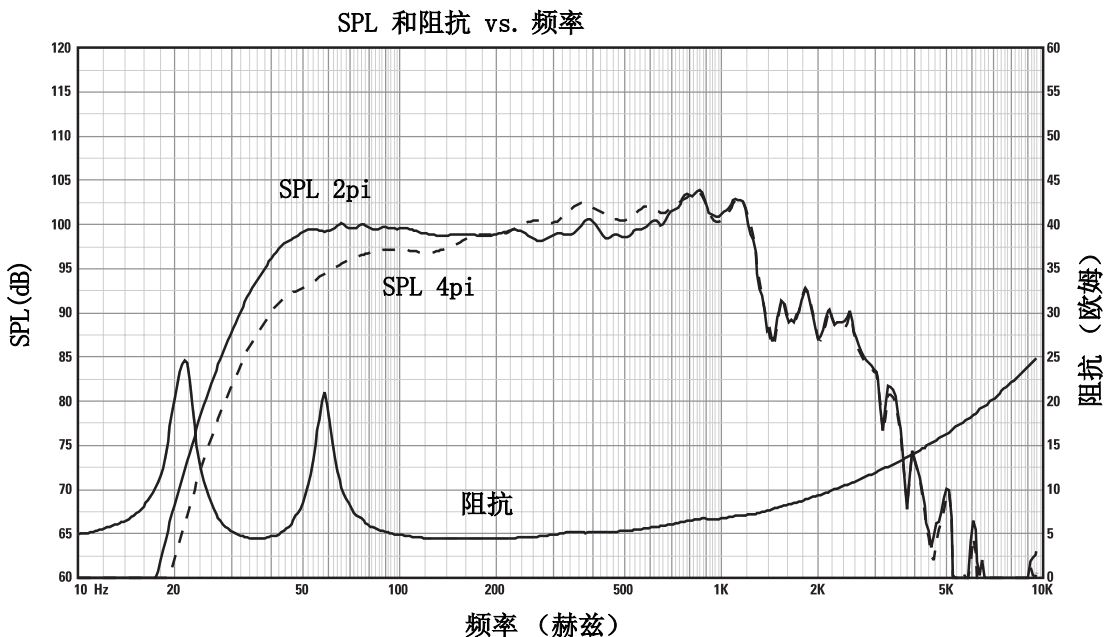
单个变频器连接样例

 **注意：必须拿掉终端杯，切断连接 SPK1 和 SPK2 终端的黄色和蓝色跳线电线**



LF-4215 产品规格 (如有改变恕不另行通告)

频率范围:	38 - 1300 赫兹 (± 3 dB) 30 - 1400 赫兹可用范围 (-10 dB)
标称覆盖范围:	600 赫兹时 100° 水平 X 55° 垂直
最大输出:	134.5 dB SPL 计算峰值、1 米、半间距、在额定 rms 功率 6dB 振幅因子粉红噪声输入, 25 - 250 赫兹。 128.5 dBA SPL 计算最大连续, 1 米。通常使用 dBA 尺以确定会造成永久听力损失的声源。
阻抗:	标称 4 欧姆 最小 3.4 欧姆, 150 赫兹 最大 25 欧姆, 22 赫兹
最大输入功率:	800 瓦 rms (6dB 振幅因子粉红噪声的 100 小时, 30 - 500 赫兹) 1000 瓦 rms (6dB 振幅因子粉红噪声 2 小时, 30 - 500 赫兹, AES 方法) 推荐放大器功率 - 1600 瓦 rms 最大到 4 欧姆 (每 LF-4218)
灵敏度:	99.5 dB 半间距, 93.5 dB 全间距, 35 - 1000 赫兹, 1 瓦, 1 米
推荐处理:	次音速过滤低于 30 赫兹, 每八度音程大于 18 dB 最大推荐分频频率为 1000 赫兹。从 www.qscaudio.com 网站可获得 QSC DSP 的配置情况。如有要求即可获得替换处理硬件的参数。
连接器:	阻挡带螺旋式终端接受高达 #10 AWG 绞合式布线。四个终端 (两个输入和两个并行输出)。驱动器以并联形式内部连接。独立连接变频器的时候, 拿掉终端杯内部边上的蓝色跳线电线和黄色跳线电线, 然后相应标记机罩。
变频器:	两个 15" (381 毫米) 高效低频变频器通风式 4" (100 毫米) Kapton [®] 线圈架上的铜音圈。高偏移 / 低失真设计, 带超高功率处理, 以及低温和端口压缩。
机罩:	类似的 B4 对齐, 端口机罩带全喇叭形端口, 低紊流对称端口设计, 调整为 36 赫兹, 由中密度纤维板和重型支撑构成。具有防破坏低音喇叭安装螺丝的特点。
尺寸:	30" (宽) X 35" (高) X 20" (深) (762 mm X 889 mm X 508 mm)
重量:	195 磅 (运输), 172 磅 (净重) (88/78 公斤)



保修（仅限美国；其它国家，请联系您的经销商或分销商）

声明

QSC Audio Products, Inc. 不承担因疏忽、或不当安装和 / 或不当使用本放大器产品而对扬声器或任何其它设备造成损坏的任何责任。

QSC Audio Products 3 年有限质保协议。

QSC Audio Products, Inc. (QSC) 担保其产品自销售日起三年内不会发生材料或制造工艺缺陷，若在正常安装和使用条件下发生的损坏，QSC 将按照本质保协议更换有缺陷的零件和维修故障产品 - 但您要将本产品送回我们的工厂或任一授权维修点，预付运送费用并附带一份购买证明即销售收据影印本。此质保协议规定，退回的产品检查必须标明经我们判断的制造缺陷。本质保不适用于任何因误用、疏忽、意外事故、不正确地安装，或日期编码被去掉或破损的产品。QSC 不对意外和 / 或间接发生的损害承担责任。此质保赋予您特定的法律权力。此有限质保在保证期内可自由转让。

在不同的州，顾客可能会有额外的权利。

此质保协议不适用于为出口或不在美国销售而生产的产品。产品上缺少序列号，或者从非授权销售商处购买此产品，将失去此有限质保协议。此质保协议定期更新。请浏览：www.qscaudio.com，获得最新版本的 QSC 质保协议声明，联系我们：800-854-4079，或访问我们的网站：www.qscaudio.com。

联系 QSC Audio Products

通信地址 :QSC Audio Products, Inc.
1675 MacArthur Boulevard
Costa Mesa, California 92626-1468 USA

电话:

主要号码 (714) 754-6175

销售和市场部门 (714) 957-7100 或免费电话 (仅限美国) (800) 854-4079

客服 (714) 957-7150 或免费电话 (仅限美国) (800) 772-2834

传真:

销售与市场部门传真 (714) 754-6174

客服传真 (714) 754-6173

网址 www.qscaudio.com

E-mail:info@qscaudio.com

service@qscaudio.com



QSC Audio Products, Inc. 1675 MacArthur Boulevard Costa Mesa, California 92626 USA

©2003, 2004, “QSC” 以及 QSC 的标志在美国专利和商标局注册。

Kapton® 为 E. I. du Pont de Nemours and Company 的注册商标。