



### Features

- Two-way, bi-amplified screen channel system
- HF-63 provides 90° horizontal by +20° to -30° vertical coverage
- LF-3215 is constructed of MDF and features single woofer chambers
- Low-distortion waveguide provides highly articulate dialogue
- Shallow depth (20") facilitates installation

Developed specifically for the unique requirements of professional motion picture playback, the SC-322 extends QSC's commitment to the cinema market. As a member of the DCS Digital Cinema Speaker Series, the SC-322 is a two-way, bi-amplified screen channel loudspeaker system comprised of two main units—the HF-63 high-frequency system and the LF-3215 low-frequency system.

The HF-63 high-frequency system features a 2.5" (63mm) titanium diaphragm compression driver mounted on a custom designed high-frequency cinema horn with an adjustable pan and tilt bracket. The HF-63 includes a driver protection and equalization network. DC blocking capacitors protect against DC or low-frequency signals that would likely destroy an unprotected driver. Power limiter circuitry protects the driver from overpowering and a response correction filter smoothes the frequency response of the horn/driver combination. The driver and equalization network provides for more reliable operation, ensuring the show will go on. The LF-3215 dual 15" (381mm) low-frequency enclosure is designed specifically to address the extended low-frequency response required for cinema applications.

The LF-3215 covers the frequency range from 35 Hz to 1000 Hz, depending upon the high-frequency system requirements. Close Coupled Woofers (CCW), with their tight spacing between woofers, improves coupling and keeps coverage angles wide over a greater frequency range than more widely spaced designs.

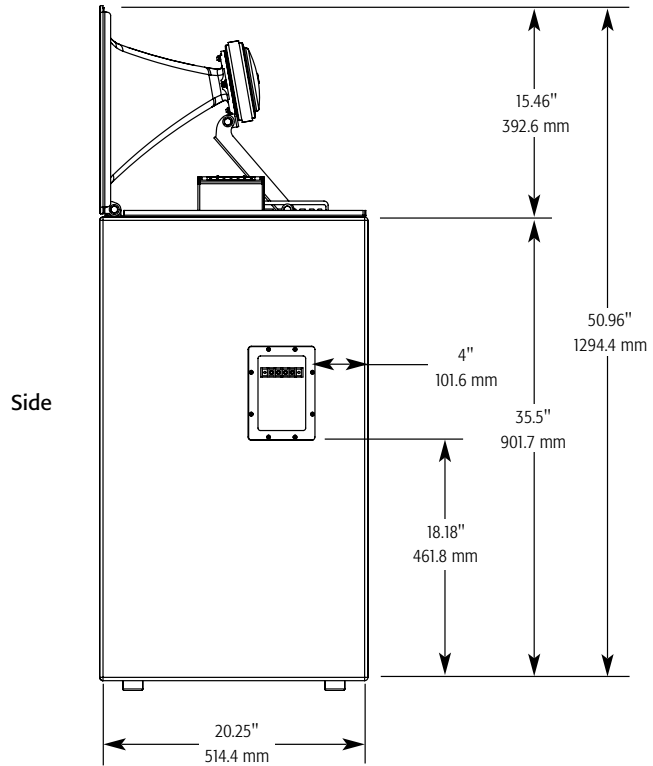
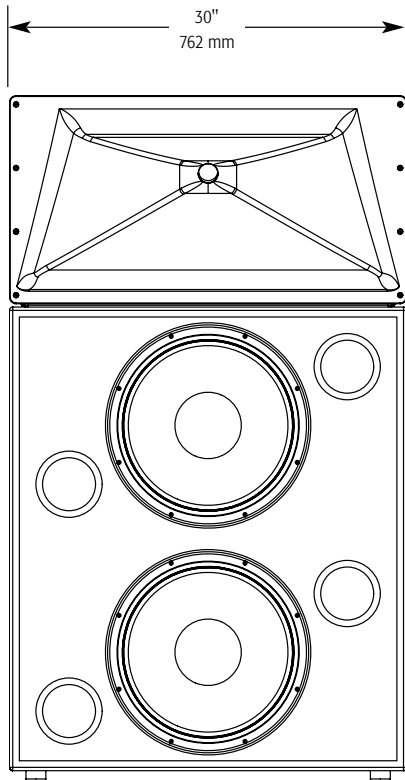
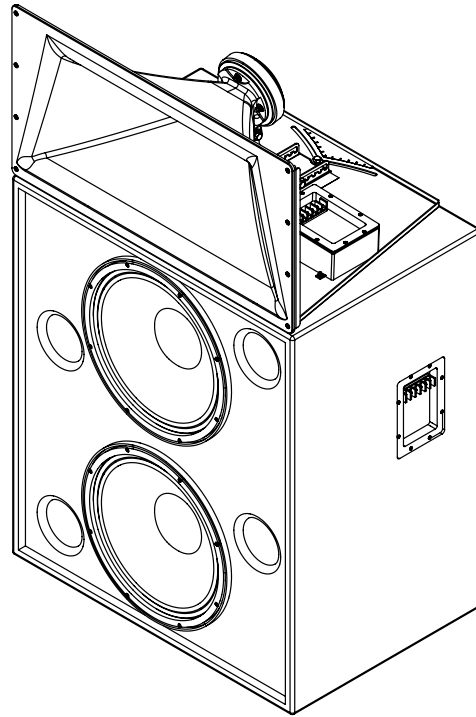
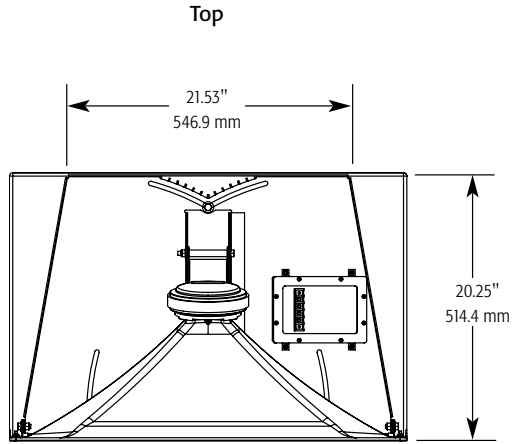
The SC-322 is designed for ease of installation. The HF-63 components come pre-assembled to reduce field assembly time. Three bolts are all that are required to secure the HF-63 to the top of the LF-3215 enclosure.

### Specifications

#### SC-322

Nominal Coverage	90° horizontal x +20 to -30° vertical	
Frequency Range	32 Hz - 16 kHz (-6 dB)	
Crossover Frequency	1000 Hz, 24 dB per octave	
	<b>LF-3215</b>	<b>HF-63</b>
Impedance	4Ω	8Ω
Sensitivity 1 watt/1 meter, half space	98.5 dB	107.5 dB
Maximum Input Power <sup>1</sup>		
8 hours of 6 db crest factor IEC 268 noise spectrum	600 W RMS	40 W RMS
2 hours of 6 db crest factor pink noise, 50 Hz - 20 kHz, AES method	800 W RMS	60 W RMS
Recommended Amplifier Power	1200 W RMS maximum	100 W RMS maximum
Recommended Processing	Subsonic filter below 30 Hz, > 18 dB per octave	4th order LR crossover at 1000 Hz
Connectors	Barrier strip screw terminals accept up to #10 AWG stranded wire, four terminals; two inputs and two parallel outputs	Barrier strip screw terminals accept up to #10 AWG stranded wire, four terminals; two inputs and two parallel outputs
Transducers	Two 15" (381mm) high efficiency, extended bass woofer featuring 3" copper voice coils	1.5" (38mm) exit, 2.5" titanium diaphragm compression driver
Enclosure	Quasi B4 alignment, ported enclosure with fully flared ports, symmetrical port design, tuned to 36 Hz, constructed of MDF and heavily braced. Features vandal resistant woofer mounting bolts	Tilt/Pan Bracket ±10° vertical tilt ±10° horizontal pan
Dimensions (HWD)	36" x 30" x 20.3" (910 mm x 762 mm x 516 mm)	16" x 30" x 20" (406 mm x 762 mm x 508 mm)
Weight - Net	172 lbs (78 kg)	40 lbs (18.4 kg)
System Weight	212 lbs (96.4 kg)	
Baffle Cut-Out	53" x 32"	

<sup>1</sup>) Maximum input power tested in accordance with IEC 268-5 recommendations, 50 Hz - 20 kHz band limiting, 6 dB signal crest factor.



Front

Specifications subject to change without notice.



1675 MacArthur Blvd., Costa Mesa, CA, 92626 USA  
Main Number (714) 754-6175 Sales & Marketing (714) 957-7100 or toll free (USA only) (800) 854-4079  
Customer Service(714) 957-7150 or toll free (USA only) (800) 772-2834

## Cinema Loudspeaker Systems User Manual

# HF-63 High Frequency Component

### Introduction

The HF-63 is the high frequency component of two-way, bi-amplified screen channel loudspeaker systems for high performance cinema applications. It was designed to operate with and be directly mounted on QSC's LF-3115 or LF-3215 cinema woofer.

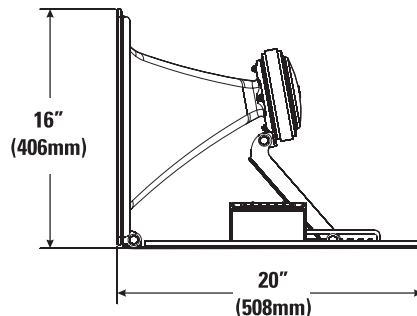
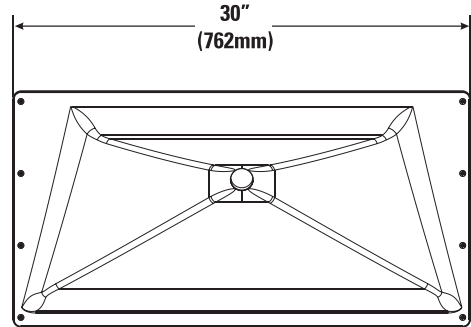
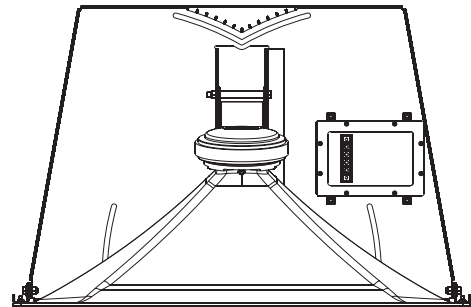
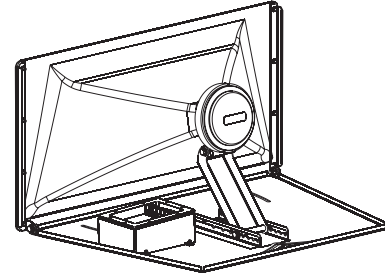
The HF-63 high-frequency system features a large format, 2.5" (63.5mm) titanium diaphragm compression driver mounted on a custom designed high-frequency cinema horn with an adjustable pan and tilt bracket. The horn features broad horizontal and vertical coverage angles to ensure coverage of every seat in the auditorium. The horn is a low-distortion waveguide providing highly articulate dialogue without coloration associated with conventional horn loudspeakers.

The HF-63 includes a driver protection and equalization network to assure reliable operation. DC blocking capacitors protect against DC or low-frequency signals that could damage an unprotected driver. Power limiter circuitry protects the driver from over-powering and a response correction filter smoothes the frequency response of the horn/driver combination. Outboard processing is required, however, as the response correction filter is not a crossover.

The HF-63 components come pre-assembled to reduce field assembly time. Three bolts are all that are required to secure the HF-63 to the top of a QSC low frequency enclosure.

### Mounting

Refer to the illustration for mounting information. The HF-63 attaches to the top of the LF-3115 or LF-3215 with three 5/16-18 bolts, 0.75" long, with lock washers. This hardware ships installed on the low frequency cabinet. We recommend the use of serviceable thread locking compound when installing the bolts to prevent loosening due to vibration. Aim the horn in the horizontal plane (pan) before tightening. Adjust the vertical tilt with the bracket adjustment.



**Install in accordance with QSC Audio Product's instructions and a licensed, professional engineer. Only use attachments, mounts, accessories, or brackets specified by QSC Audio Products, Inc. Refer all servicing to qualified personnel. Servicing is required when the apparatus has been damaged in any way.**



**WARNING! Before placing, installing, rigging, or suspending any speaker product, inspect all hardware, suspension, cabinets, transducers, brackets and associated equipment for damage. Any missing, corroded, deformed or non-load rated component could significantly reduce the strength of the installation, placement, or array. Any such condition severely reduces the safety of the installation and should be immediately corrected. Use only hardware which is rated for the loading conditions of the installation and any possible short-term unexpected overloading. Never exceed the rating of the hardware or equipment. Consult a licensed, professional engineer when any doubt or questions arise regarding a physical equipment installation.**



## Connections

### HF INPUT Terminals

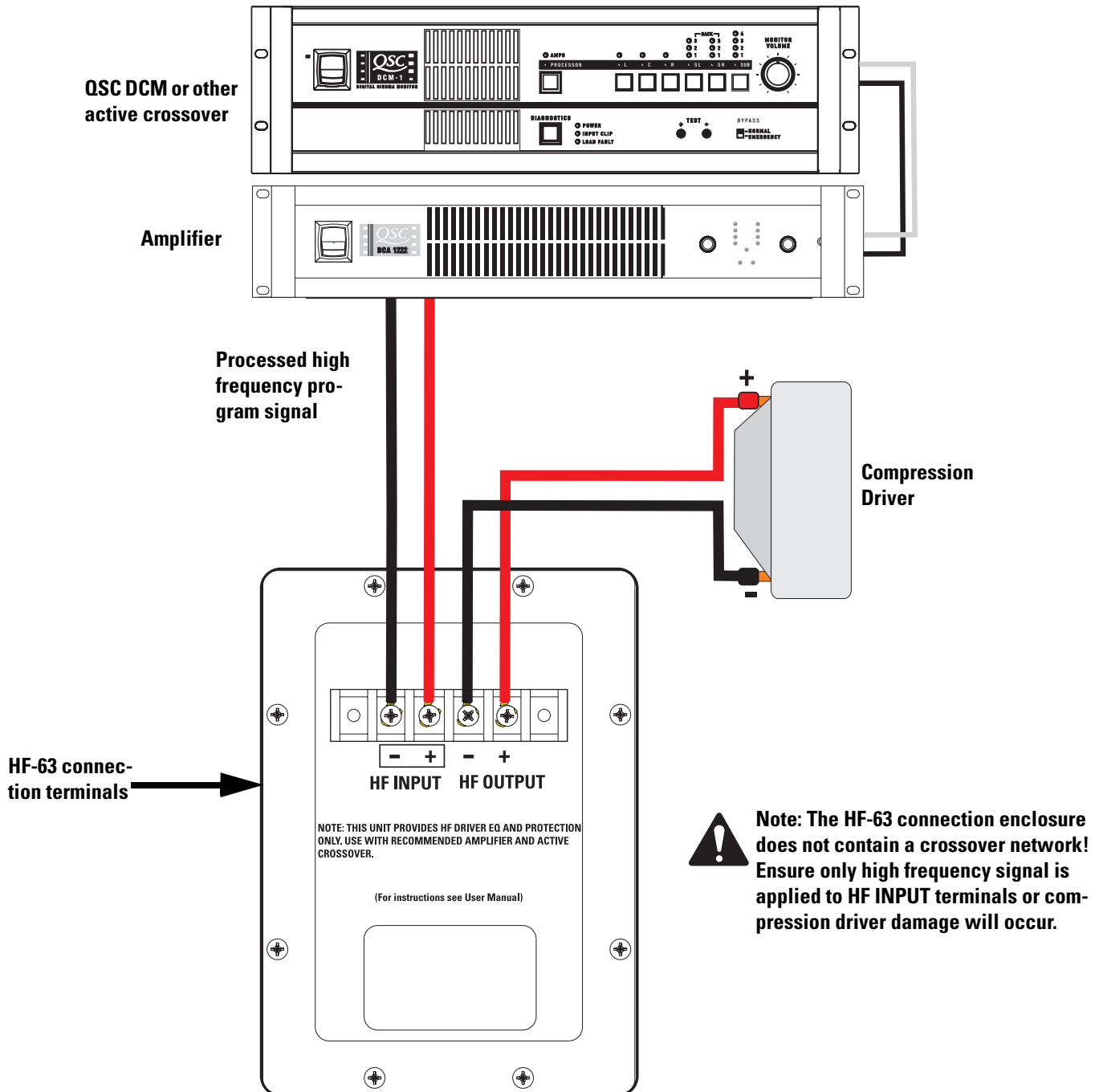
The HF-63 has barrier strip screw terminals that accept up to #10 AWG (5.3mm<sup>2</sup>) stranded loudspeaker wire. Connect the amplifier's high frequency output signal to the loudspeaker's **HF INPUT** terminals. Observe proper polarity; amplifier's + signal to loudspeaker + **HF INPUT**, amplifier's - signal to loudspeaker - **HF INPUT**. Use the largest wire size and shortest wire length for the application.



**NOTE! Maintain proper loudspeaker connection polarity throughout the entire system for maximum performance. Do not apply full range signal to the HF-63! There is no crossover in the HF-63, only an equalization and protection network. All required signal processing must be done before the signal is applied to the HF-63.**

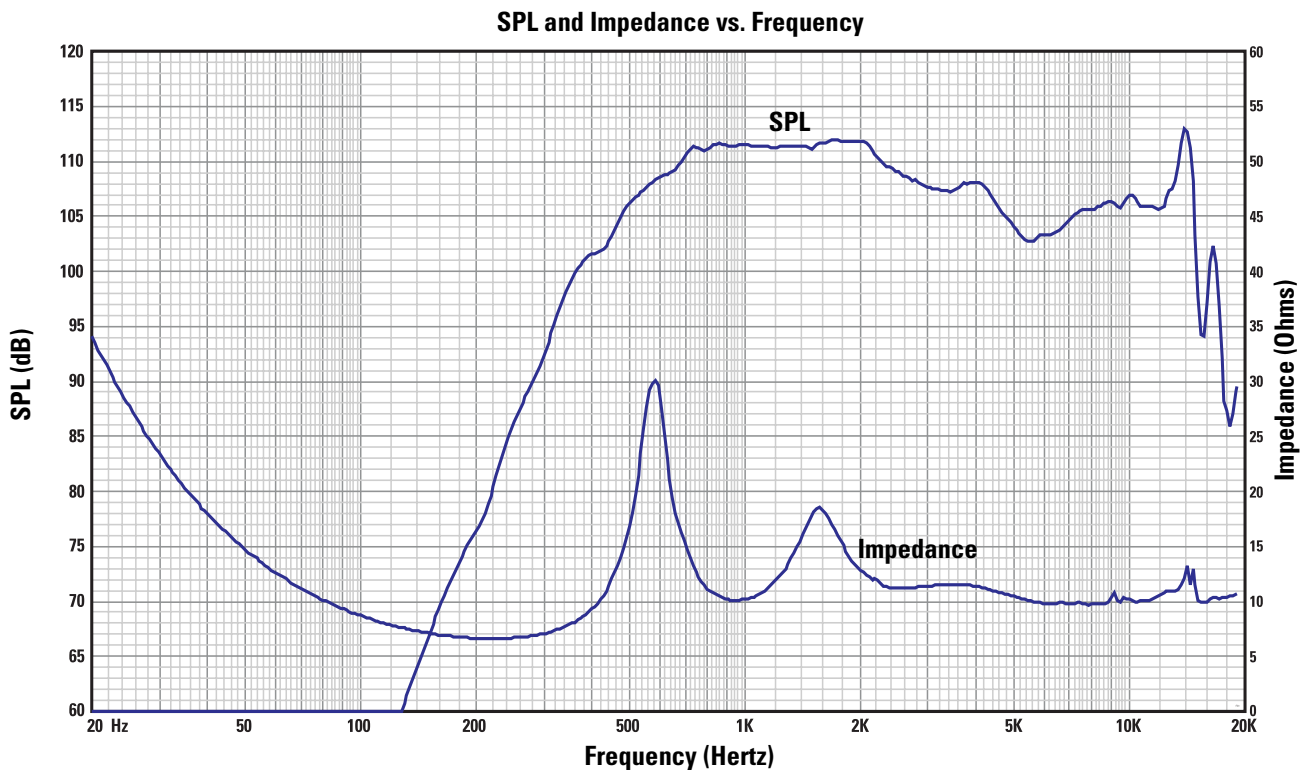
### HF OUTPUT Terminals

The **HF OUTPUT** terminals are factory-connected to the compression driver. These terminals should **ONLY** be connected to the HF-63's compression driver.



## **HF-63 Specifications (subject to change without notice)**

<b>Frequency Range:</b>	400 - 16k Hz (-6 dB, full space)
<b>Nominal Coverage:</b>	90° horizontal X +15 to -35° vertical (50° total, adjustable mount provides for vertical plane adjustments. The horizontal plane can be adjusted by altering mounting position on the low frequency enclosure before tightening bolts.
<b>DI:</b>	9.0 dB (600 to 16,000 Hertz average)
<b>Q:</b>	8.0 (600 to 16,000 Hertz average)
<b>Maximum Output:</b>	131.5 dB SPL calculated peak, 1 meter, half space.
<b>Impedance:</b>	8 ohms nominal 9.0 ohms minimum at 8,000 Hertz 30 ohms maximum at 475 Hertz
<b>Maximum Input Power:</b>	50 watts rms (8 hours of 6 dB crest factor pink noise, 1,000 to 10,000 Hertz) 60 watts rms (2 hours of 6 dB crest factor pink noise, 1,000 - 10,000 Hertz, AES method)
<b>Sensitivity:</b>	107.5 dB half space, 1 watt, 1 meter
<b>Crossover Frequency:</b>	1,000 Hertz or higher, 24 dB per octave
<b>Connectors:</b>	Barrier strip screw terminals accept up to #10 AWG stranded wire. Four terminals: (two HF INPUT and two post compensation HF OUTPUT). HF OUTPUT factory wired to compression driver.
<b>Transducers:</b>	1.5" (38mm) exit, 2.5" (63.5mm) titanium diaphragm compression driver.
<b>Mounting Hardware:</b>	Attaches to top of the low frequency cabinet using three 5/16"-18 x 3/4" long bolts.
<b>Size:</b>	30" wide X 16" high X 20" deep (762mm X 406mm X 508mm)
<b>Weight:</b>	50 lbs. (shipping), 40 lbs. (net), 22.7/18.4 kilograms



## **Warranty (USA only; other countries, see your dealer or distributor)**

### **Disclaimer**

QSC Audio Products, Inc. is not liable for any damage to amplifiers, or any other equipment that is caused by negligence or improper installation and/or use of this loudspeaker product.

### **QSC Audio Products 3 Year Limited Warranty**

QSC Audio Products, Inc. ("QSC") guarantees its products to be free from defective material and / or workmanship for a period of three (3) years from date of sale, and will replace defective parts and repair malfunctioning products under this warranty when the defect occurs under normal installation and use - provided the unit is returned to our factory or one of our authorized service stations via pre-paid transportation with a copy of proof of purchase (i.e., sales receipt). This warranty provides that the examination of the return product must indicate, in our judgment, a manufacturing defect. This warranty does not extend to any product which has been subjected to misuse, neglect, accident, improper installation, or where the date code has been removed or defaced. QSC shall not be liable for incidental and/or consequential damages. This warranty gives you specific legal rights. This limited warranty is freely transferable during the term of the warranty period.

Customer may have additional rights, which vary from state to state.

In the event that this product was manufactured for export and sale outside of the United States or its territories, then this limited warranty shall not apply. Removal of the serial number on this product, or purchase of this product from an unauthorized dealer, will void this limited warranty. Periodically, this warranty is updated. To obtain the most recent version of QSC's warranty statement, please visit [www.qscaudio.com](http://www.qscaudio.com). Contact us at 800-854-4079 or visit our website at [www.qscaudio.com](http://www.qscaudio.com).

## **Contacting QSC Audio Products**

Mailing address: QSC Audio Products, Inc.  
1675 MacArthur Boulevard  
Costa Mesa, CA 92626-1468 USA

### Telephone Numbers:

Main Number (714) 754-6175

Sales & Marketing (714) 957-7100 or toll free (USA only) (800) 854-4079

Customer Service (714) 957-7150 or toll free (USA only) (800) 772-2834

### Facsimile Numbers:

Sales & Marketing Fax (714) 754-6174

Customer Service Fax (714) 754-6173

World Wide Web: [www.qscaudio.com](http://www.qscaudio.com)

E-mail: [info@qscaudio.com](mailto:info@qscaudio.com)

[service@qscaudio.com](mailto:service@qscaudio.com)





1675 MacArthur Blvd., Costa Mesa, CA, 92626 USA  
 Main Number (714) 754-6175 Sales & Marketing (714) 957-7100 or toll free (USA only) (800) 854-4079  
 Customer Service (714) 957-7150 or toll free (USA only) (800) 772-2834

# Cinema Loudspeaker Systems User Manual

## LF-3215 Low Frequency Loudspeaker

### Introduction

The LF-3215 dual 15" (381mm) low frequency enclosure is designed specifically for cinema applications. Meeting cinema requirements for extended low frequency response differentiates the LF-3215 from more conventional "rock-and-roll" woofer systems. The LF-3215 covers the frequency range from 32 Hertz to 1500 Hertz, depending upon the high frequency system requirements. With its tight spacing between woofers, the LF-3215 offers improved coupling and keeps coverage angles wide over a greater frequency range than more widely spaced designs.

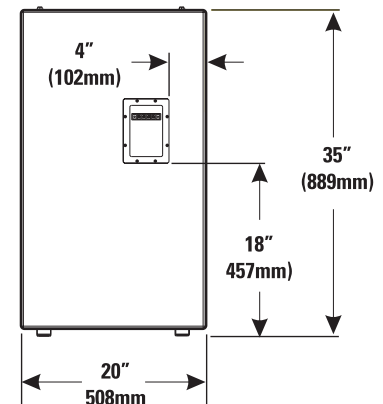
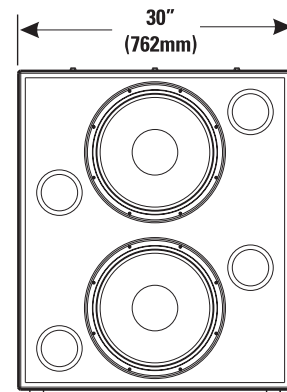
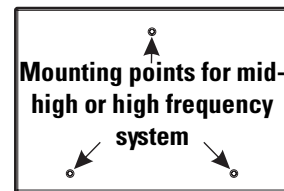
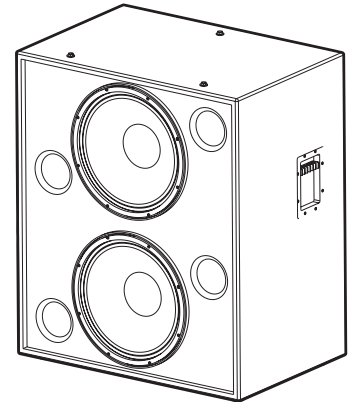
The 300 watt, 15" transducers are well suited for cinema use. They feature 3" (76mm) voice coils, 120 oz.(3.4kg) ceramic magnets, and vented pole pieces to ensure cool operation. Cooler temperatures increase transducer lifespan and decrease the problem of power compression at high power levels. The suspension and voice coil of each transducer have been designed to provide low distortion and high impact bass at high power levels.

The enclosure is constructed of high quality medium density fiberboard panels with stiffening braces on all panels and features separate woofer chambers. This prevents over-excitation of a transducer caused by improper box loading in the rare event of a transducer failure. The eight stiffening braces reduce panel resonance.

Both internal and external port openings are fully radiused ensuring smooth air flow at high power. This prevents audible port turbulence noise.

With symmetrical port loading, bass ports are evenly spaced on each side of the transducers, making internal pressure more uniform across the back surface of the transducer. This prevents the cone from being displaced to one side or another by unbalanced forces, reducing the chance of driving the voice coil out of the center of the gap at high power levels.

Three T-nuts in the top of the enclosure provide easy mounting of QSC's HF-63 high frequency system, or MH-1063 mid-high frequency system.



**Enclosure is not designed to be suspended, flown, or rigged. Do not suspend, fly, or rig this enclosure.**

**This product is capable of producing sound pressure levels that can permanently damage human hearing. Always keep sound pressure levels in the listening area below levels that can damage human hearing.**

**Install in accordance with QSC Audio Product's instructions and a licensed, professional engineer. Only use attachments, mounts, accessories, or brackets specified by QSC Audio Products, Inc. Refer all servicing to qualified personnel. Servicing is required when the apparatus has been damaged in any way.**



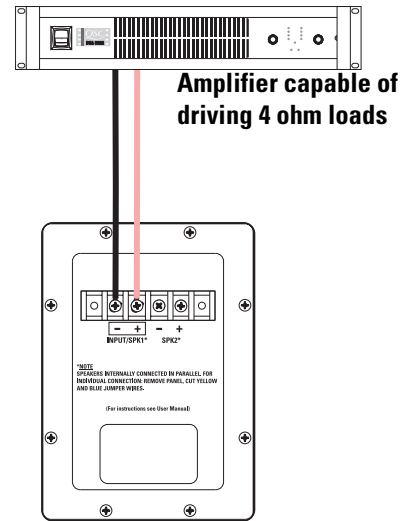
**WARNING! Before placing, installing, rigging, or suspending any speaker product, inspect all hardware, suspension, cabinets, transducers, brackets and associated equipment for damage. Any missing, corroded, deformed or non-load rated component could significantly reduce the strength of the installation, placement, or array. Any such condition severely reduces the safety of the installation and should be immediately corrected. Use only hardware which is rated for the loading conditions of the installation and any possible short-term unexpected overloading. Never exceed the rating of the hardware or equipment. Consult a licensed, professional engineer when any doubt or questions arise regarding a physical equipment installation.**

## Connections

### Normal Connection

The LF-3215 has barrier strip screw terminals for connection. The terminals accept up to #10 AWG (5.3mm<sup>2</sup>) stranded loud-speaker wiring. Use the largest wire size and shortest wire length possible for the application. Observe the polarity markings and keep polarity consistent throughout the system for best performance.

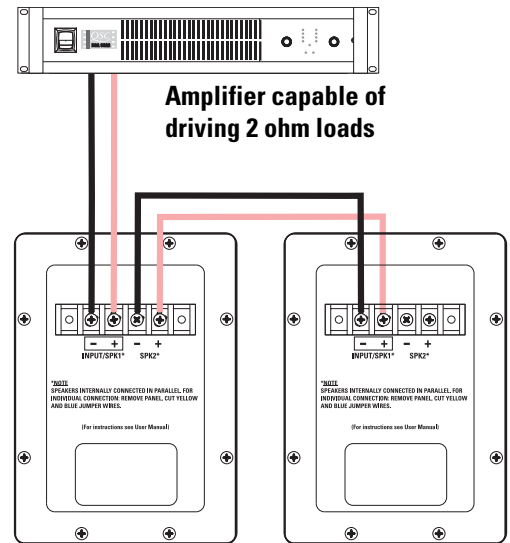
### Normal Connection Example:



### Parallel Connection of Second LF-3215

The terminals marker SPK2 may be used to connect another LF-3215 in parallel. Connect the wires as shown in the illustration, at right. Note: If the LF-3215's internal wiring has been modified in any way, this may not function. If this is the case, remove the terminal cup and verify the presence of the factory yellow jumper and blue jumper wires; remedy as required or have the loudspeaker serviced.

### Parallel Connection Example:



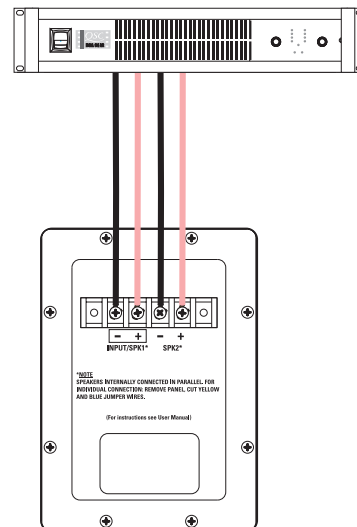
### Individual Transducer Connection (requires modification)

The transducers are wired in parallel inside the enclosure. If individual transducer connection is required, remove the terminal cup and remove the yellow and the blue jumper wires that are connected between the SPK1 and SPK2 terminals. Replace the terminal cup and mark the enclosure with a note of the modification.

### Individual Transducer Connection Example:



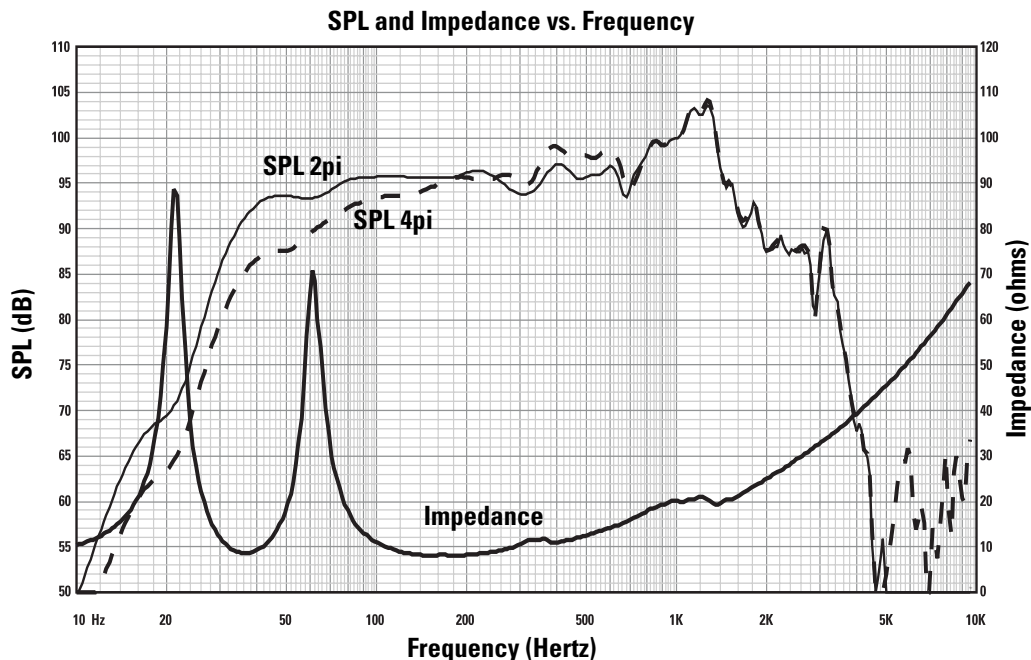
**CAUTION! Requires removal of terminal cup and removing both the yellow and the blue jumper wires that connect the SPK1 and SPK2 terminals.**





## **LF-3215 Specifications (subject to change without notice)**

<b>Frequency Range:</b>	32 - 1500 Hertz (-6dB) 28 - 3300 Hertz useable range (-10dB)
<b>Nominal Coverage:</b>	100° horizontal X 55° vertical at 600 Hertz
<b>Maximum Output:</b>	132.5 dB SPL calculated peak, 1 meter, half space, at rated rms power with 6 dB crest factor pink noise input, 25 - 250 Hertz. 126.5 dBA SPL calculated maximum continuous, 1 meter. The dBA scale is typically used to identify sound sources which can cause permanent hearing loss.
<b>Impedance:</b>	4 ohms nominal 4.1 ohms minimum, 180 Hertz 55 ohms maximum, 21 Hertz
<b>Maximum Input Power:</b>	600 watts rms (8 hours of 6 dB crest factor pink noise, 40 - 400 Hertz) 750 watts rms (2 hours of 6 dB crest factor pink noise, 40 - 400 Hertz) Recommended amplifier power capability- 1200 watts rms maximum into 4 ohms (per LF-3215)
<b>Sensitivity:</b>	98.5 dB half space, 97.5 dB full space, 35 - 1000 Hertz, 1 watt, 1 meter
<b>Recommended Processing:</b>	Subsonic filter below 30 Hertz, >18 dB per octave, maximum recommended crossover frequency is 1000 Hertz. QSC DSP configurations are available at <a href="http://www.qscaudio.com">www.qscaudio.com</a> . Parameters for alternative processing hardware are available upon request.
<b>Connectors:</b>	Barrier strip screw terminals accept up to #10 AWG stranded wire. Four terminals: (two INPUT and two PARALLEL OUT). Transducers are internally wired in parallel. For independent transducer connection, remove blue jumper wire and yellow jumper wire on internal-side of terminal cup and mark enclosure accordingly.
<b>Transducers:</b>	Two 15" (381mm) high efficiency low frequency transducers featuring vented 3" (76mm) copper voice coils on Kapton® formers. High excursion/low distortion design, with extremely high power handling, and low thermal and port compression.
<b>Enclosure:</b>	Quasi B4 alignment, ported enclosure with fully flared ports, low turbulence symmetrical port design, tuned to 36 Hertz, constructed of medium density fibreboard and heavily braced. Features vandal resistant woofer mounting bolts.
<b>Size:</b>	30" wide X 35" high X 20" deep (762 mm X 889 mm X 508 mm)
<b>Weight:</b>	195 lbs. shipping, 172 lbs. net (88/78 kg.)



## **Warranty (USA only; other countries, see your dealer or distributor)**

### **Disclaimer**

QSC Audio Products, Inc. is not liable for any damage to amplifiers, or any other equipment that is caused by negligence or improper installation and/or use of this loudspeaker product.

### **QSC Audio Products 3 Year Limited Warranty**

QSC Audio Products, Inc. ("QSC") guarantees its products to be free from defective material and / or workmanship for a period of three (3) years from date of sale, and will replace defective parts and repair malfunctioning products under this warranty when the defect occurs under normal installation and use - provided the unit is returned to our factory or one of our authorized service stations via pre-paid transportation with a copy of proof of purchase (i.e., sales receipt). This warranty provides that the examination of the return product must indicate, in our judgment, a manufacturing defect. This warranty does not extend to any product which has been subjected to misuse, neglect, accident, improper installation, or where the date code has been removed or defaced. QSC shall not be liable for incidental and/or consequential damages. This warranty gives you specific legal rights. This limited warranty is freely transferable during the term of the warranty period.

Customer may have additional rights, which vary from state to state.

In the event that this product was manufactured for export and sale outside of the United States or its territories, then this limited warranty shall not apply. Removal of the serial number on this product, or purchase of this product from an unauthorized dealer, will void this limited warranty. Periodically, this warranty is updated. To obtain the most recent version of QSC's warranty statement, please visit [www.qscaudio.com](http://www.qscaudio.com). Contact us at 800-854-4079 or visit our website at [www.qscaudio.com](http://www.qscaudio.com).

## **Contacting QSC Audio Products**

Mailing address: QSC Audio Products, Inc.  
1675 MacArthur Boulevard  
Costa Mesa, CA 92626-1468 USA

### Telephone Numbers:

Main Number (714) 754-6175

Sales & Marketing (714) 957-7100 or toll free (USA only) (800) 854-4079

Customer Service (714) 957-7150 or toll free (USA only) (800) 772-2834

### Facsimile Numbers:

Sales & Marketing Fax (714) 754-6174

Customer Service Fax (714) 754-6173

World Wide Web: [www.qscaudio.com](http://www.qscaudio.com)

E-mail: [info@qscaudio.com](mailto:info@qscaudio.com)

[service@qscaudio.com](mailto:service@qscaudio.com)



QSC Audio Products, Inc. 1675 MacArthur Boulevard Costa Mesa, California 92626 USA  
©2004 "QSC" and the QSC logo are registered with the U.S. Patent and Trademark Office.  
Kapton® is a registered trademark of E.I. du Pont de Nemours and Company.



1675 MacArthur Blvd., Costa Mesa, CA, 92626 EE.UU.  
Número principal +1 (714) 754-6175 Ventas y Comercialización +1 (714) 957-7100  
o línea sin costo (sólo para EE.UU.) +1 (800) 854-4079  
Servicio al cliente +1 (714) 957-7150 o gratis (sólo EE.UU.) +1 (800) 772-2834

## Manual del usuario de los sistemas de altavoces para salas de cine

### Componente de alta frecuencia **HF-63**

#### Introducción

El HF-63 es el componente de alta frecuencia de los sistemas del altavoz bidireccional de canal de pantalla biamplificada, para aplicaciones cinematográficas de alto rendimiento. Fue diseñado para operar con, y montarse directamente en, el woofer cinematográfico LF-3115 o LF-3215 de QSC.

El sistema HF-63 de alta frecuencia tiene un formato grande, un excitador de compresión con diafragma de titanio de 2.5" (63.5 mm) montado en un cuerno cinematográfico de alta frecuencia de diseño bajo especificaciones con un soporte de movimiento horizontal y vertical ajustable. El cuerno tiene amplios ángulos de cobertura horizontal y vertical para asegurar la cobertura de cada asiento del auditorio. El cuerno es una guíaonda de baja deformación que proporciona un diálogo altamente articulado sin la coloración asociada con los altavoces de cuerno convencionales.

El HF-63 incluye protección del excitador y una red de ecualización para asegurar una operación fiable. Los capacitores de bloqueo de CC protegen contra señales de CC o de baja frecuencia que podrían destruir un excitador no protegido. El circuito limitador de potencia protege al excitador contra las sobrecargas, y un filtro de corrección de respuesta suaviza la respuesta de frecuencia de la combinación cuerno/excitador. No obstante ello, se requiere el procesamiento externo ya que el filtro de corrección de la respuesta no es de cruce.

Los componentes del sistema HF-63 vienen ya montados para reducir el tiempo de montaje en el campo. Tres pernos es todo lo que se requiere para fijar el HF-63 en la parte superior de una caja de baja frecuencia de QSC.

#### Montaje

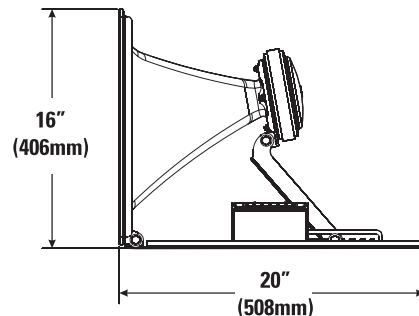
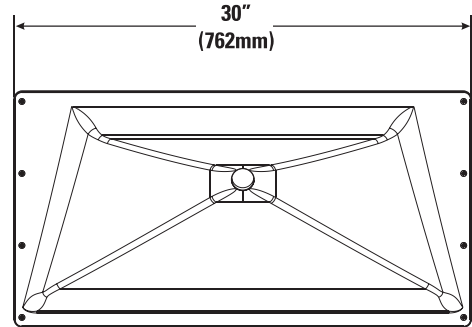
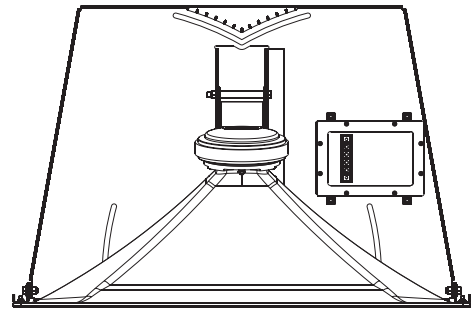
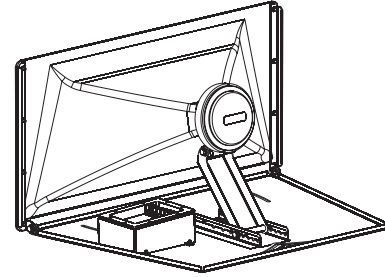
Vea la información sobre el montaje en la ilustración. El HF-63 se conecta en la parte superior del LF-3115 o LF-3215 con tres pernos de 5/16-18, de 0.75" de largo, con arandelas de fijación. Este herraje se envía ya instalado en el gabinete del sistema de baja frecuencia. Recomendamos el uso de un compuesto duradero para fijación de roscas al instalar los pernos para evitar que se aflojen debido a la vibración. Oriente el cuerno en el plano horizontal antes de apretarlo. Ajuste la posición vertical con el soporte de ajuste.



**Instale de acuerdo con las instrucciones de QSC Audio Products y de un ingeniero profesional con la debida licencia. Sólo use piezas, montajes, accesorios o soportes especificados por QSC Audio Products, Inc. Refiera todo el servicio a personal calificado. Cuando el aparato haya sido dañado de alguna manera, es necesario proporcionarle servicio.**



**¡ADVERTENCIA! Antes de colocar, instalar, montar o suspender cualquier producto de altavoz, inspeccione todo el equipo físico, la suspensión, los armarios, los transductores, los soportes y el equipo asociado para detectar la existencia de daños. Cualquier componente faltante, corroído, deformado, o sin carga nominal podría reducir significativamente la resistencia de la instalación, la colocación o la configuración. Cualquier condición de este tipo reduce gravemente la seguridad de la instalación y debe corregirse de inmediato. Use sólo herraje que esté clasificado para las condiciones de carga de la instalación y cualquier posible carga excesiva a corto plazo inesperada. Nunca exceda el valor nominal del equipo físico ni del dispositivo. Consulte a un ingeniero profesional con la debida licencia cuando surjan dudas o preguntas referentes a la instalación física del equipo.**



## Conexiones

### Terminales de ENTRADA de HF

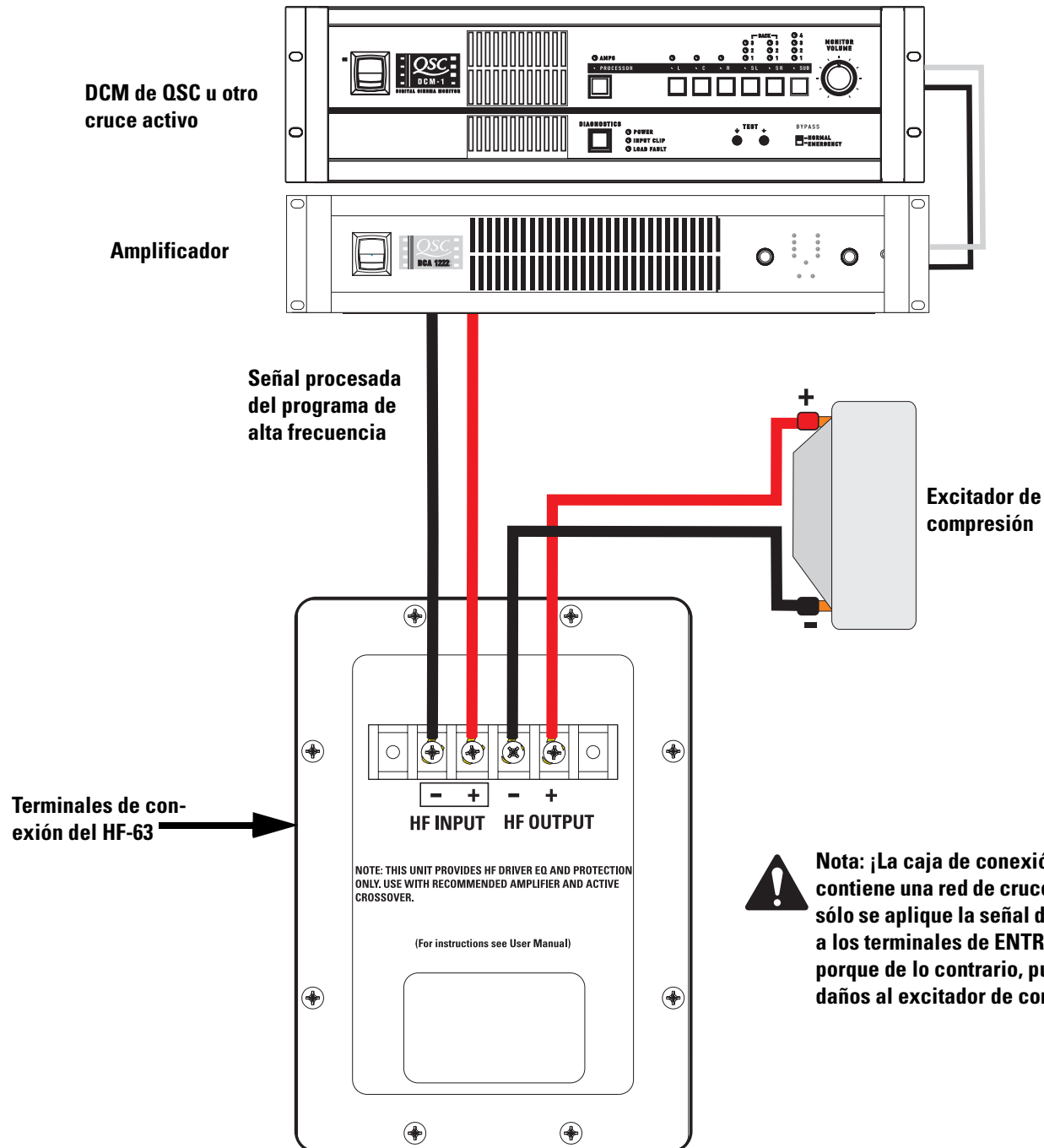
El HF-63 tiene terminales de tornillo de barra protectora que aceptan alambre trenzado de calibre de hasta #10 AWG (5.3 mm<sup>2</sup>) para altavoces. Conecte la señal de salida de alta frecuencia del amplificador en los terminales de **ENTRADA de HF** del altavoz. Observe la polaridad adecuada; señal + del amplificador al altavoz + **ENTRADA de HF**, señal - del amplificador al altavoz - **ENTRADA de HF**. Use el alambre de calibre más grande y de longitud más corta para la aplicación.



**¡NOTA! Mantenga la polaridad adecuada en la conexión del altavoz en todo el sistema para obtener el máximo rendimiento. ¡No aplique una señal de intervalo total al HF-63! No hay cruce en el HF-63, sólo una red de equalización y protección. Todo el procesamiento requerido de la señal debe hacerse antes de aplicar la señal al HF-63.**

### Terminales de SALIDA de HF

Los terminales de **SALIDA de HF** se conectan en fábrica al excitador de compresión. Estos terminales **SÓLO** se deben conectar al excitador de compresión del HF-63.



## **Especificaciones del sistema HF-63 (sujetas a cambio sin previo aviso)**

**Intervalo de frecuencias:** 400 – 16 kHz (-6 dB, espacio completo)

**Cobertura nominal:** 90° horizontal X +15° a -35° vertical (50° total), el montaje ajustable permite ajustes en el plano vertical. El plano horizontal se puede ajustar alterando la posición de montaje de la caja del sistema de baja frecuencia antes de apretar los pernos.

**DI:** 9.0 dB (600 a 16,000 Hertzios como promedio)

**Q:** 8.0 (600 a 16,000 Hertzios como promedio)

**Salida máxima:** Pico calculado de SPL: 131.5 dB, 1 metro, medio espacio

**Impedancia:** 8 ohmios, nominal  
9.0 ohmios como mínimo a 8,000 Hertzios  
30 ohmios como máximo a 475 Hertzios

**Potencia máxima de entrada:** 50 vatios rms (8 horas de ruido rosa con factor de cresta de 6 dB, 1,000 a 10,000 Hertzios)  
60 vatios rms (2 horas de ruido rosa con factor de cresta de 6 dB, 1,000 -10,000 Hertzios, método AES)

**Sensibilidad:** 107.5 dB medio espacio, 1 vatio, 1 metro

**Frecuencia de cruce:** 1,000 Hertzios o más, 24 dB por octava

**Conectores:** Los terminales de tornillo de barra protectora aceptan alambre trenzado de hasta #10 AWG . Cuatro terminales: (dos de ENTRADA de HF y dos de SALIDA de HF de post compensación). La SALIDA de HF se conecta en fábrica al excitador de compresión.

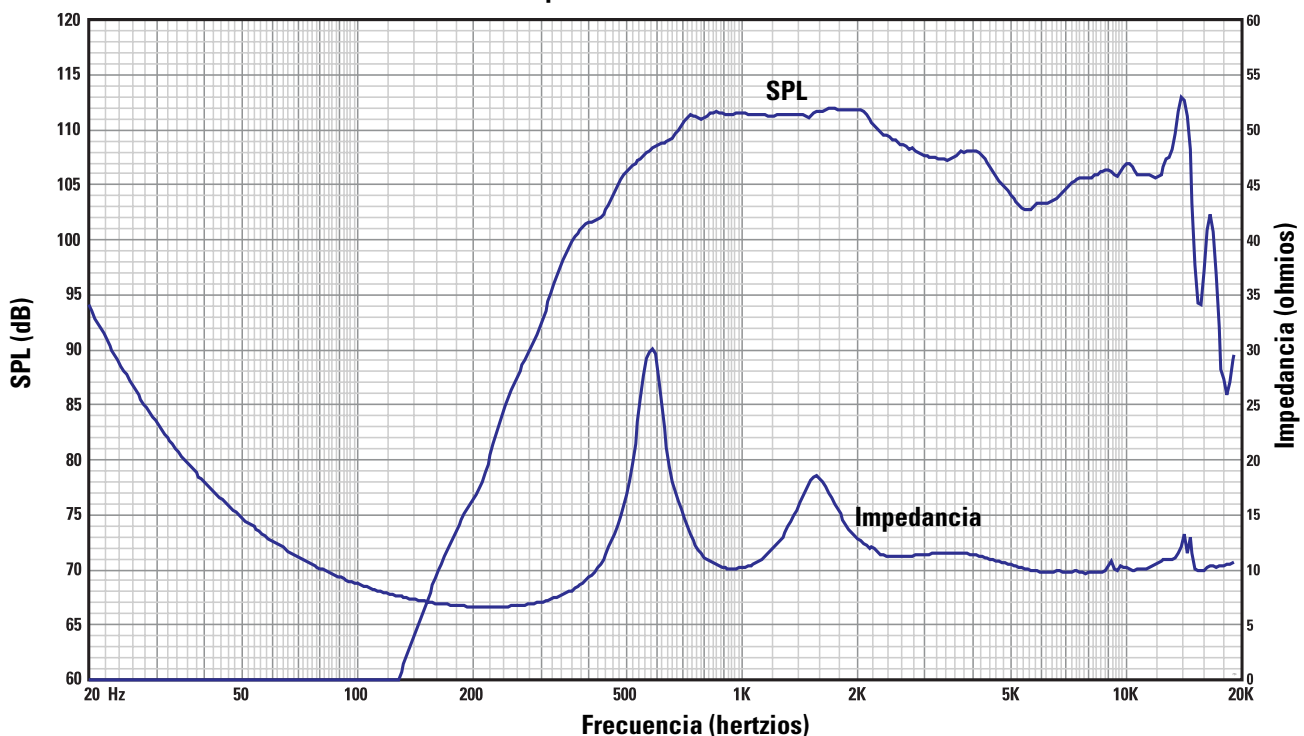
**Transductores:** 1.5" (38 mm) salida, 2.5" (63.5 mm) excitador de compresión con diafragma de titanio

**Herraje de montaje:** Se conecta en la parte superior del gabinete del sistema de baja frecuencia mediante tres pernos de 5/16"-18 x 3/4" de largo.

**Tamaño:** 30" de ancho X 16" de alto X 20" de profundidad (762 mm X 406 mm X 508 mm)

**Peso:** 50 libras (envío), 40 libras (neto, 22.7/18.4 kilogramos)

**SPL e impedancia en función de la frecuencia**



## **Garantía (sólo para EE.UU.; para otros países, consulte con su vendedor o distribuidor)**

### **Renuncia de responsabilidad**

QSC Audio Products, Inc. no es responsable por ningún daño a los amplificadores, ni a ningún otro equipo que sea causado por negligencia o instalación y/o uso inadecuado de este altavoz.

### **Garantía limitada de 3 años de QSC Audio Products**

QSC Audio Products, Inc. ("QSC") garantiza que sus productos estarán libres de materiales y/o mano de obra defectuosos por un periodo de tres (3) años a partir de la fecha de la venta, y reemplazará las piezas defectuosas y reparará los productos que funcionen mal bajo esta garantía cuando el defecto ocurra bajo condiciones normales de instalación y uso, siempre y cuando la unidad se devuelva a nuestra fábrica o a una de nuestras estaciones autorizadas de servicio mediante transportación prepagada con una copia del comprobante de compra (por ejemplo, el recibo de la compra). Esta garantía requiere que el examen del producto devuelto indique, en nuestra opinión, un defecto de fabricación. Esta garantía no se extiende a ningún producto que hubiera estado sometido a uso indebido, negligencia, accidente, instalación incorrecta, o en el que se hubiera quitado o modificado el código de la fecha. QSC tampoco será responsable por daños incidentales y/o emergentes. Esta garantía le otorga derechos legales específicos. Esta garantía limitada es libremente transferible durante el periodo de la misma.

El cliente podría gozar de derechos adicionales, que podrían variar de un estado a otro.

En caso de que este producto fuera fabricado para exportación y venta fuera de los Estados Unidos o sus territorios, entonces no será aplicable esta garantía limitada. La eliminación del número de serie en este producto, o la compra de este producto de un distribuidor no autorizado, anularán esta garantía limitada. Esta garantía se actualiza periódicamente. Para obtener la versión más reciente de la declaración de la garantía de QSC, por favor visite [www.qscaudio.com](http://www.qscaudio.com). Comuníquese con nosotros al 800-854-4079 o visite nuestro sitio en Internet en [www.qscaudio.com](http://www.qscaudio.com).

## **Cómo comunicarse con QSC Audio Products**

Dirección postal: QSC Audio Products, Inc.  
1675 MacArthur Boulevard  
Costa Mesa, CA 92626-1468 EE.UU.

Números de teléfono:

Número principal +1 (714) 754-6175

Ventas y comercialización +1 (714) 957-7100 o gratis (sólo EE.UU.) +1 (800) 854-4079

Servicio al cliente +1 (714) 957-7150 o gratis (sólo EE.UU.) +1 (800) 772-2834

Números de fax:

Fax de ventas y comercialización +1 (714) 754-6174

Fax de servicio al cliente +1 (714) 754-6173

World Wide Web: [www.qscaudio.com](http://www.qscaudio.com)

Correo electrónico: [info@qscaudio.com](mailto:info@qscaudio.com)

[service@qscaudio.com](mailto:service@qscaudio.com)





## Manual del usuario de los sistemas de altavoces para salas de cine

# Altavoz de baja frecuencia LF-3215

### Introducción

La caja doble de baja frecuencia de 15" (381 mm) del altavoz LF-3215 está diseñada específicamente para aplicaciones cinematográficas. El cumplimiento de los requisitos de las aplicaciones cinematográficas referentes a una respuesta extendida de baja frecuencia, es lo que distingue al altavoz LF-3215 de otros sistemas woofer tipo "rock-and-roll" más convencionales. El altavoz LF-3215 cubre un intervalo de frecuencia de 32 Hertzios a 1500 Hertzios, dependiendo de los requisitos del sistema de alta frecuencia. Con su espacio estrecho entre los woofers, el LF-3215 ofrece una mejora en el acoplamiento y mantiene la amplitud de los ángulos de cobertura sobre un mayor intervalo de frecuencia en comparación con diseños de espacio más grande.

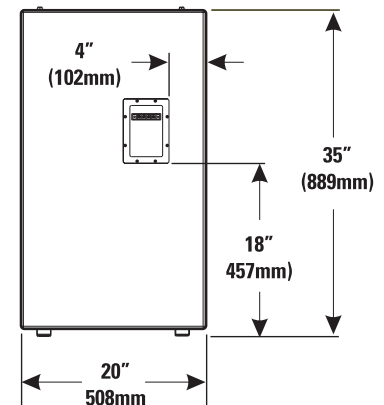
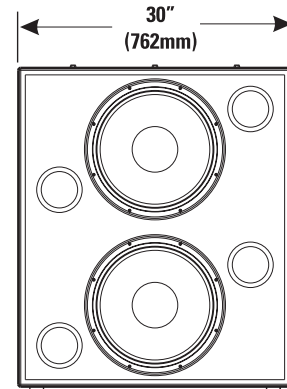
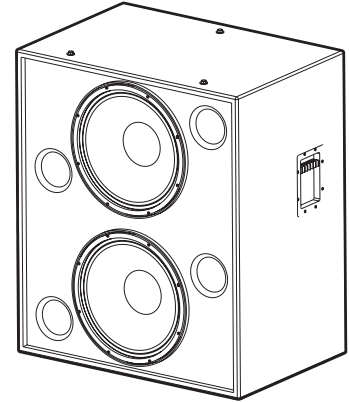
Los transductores de 300 vatios y 15" son apropiados para uso en salas de cine. Cuentan con bobinas de voz de 3" (76 mm), imanes cerámicos de 120 onzas (3.4 kg) y polos multiventilados para asegurar una operación fría. Las temperaturas más frías aumentan la vida útil del transductor y disminuyen el problema de compresión de la potencia a niveles altos de potencia. La suspensión y la bobina de voz de cada transductor se han diseñado para brindar una baja distorsión y graves de alto impacto a altos niveles de potencia.

La caja está construida de paneles de cartón duro mediano de alta calidad con soportes de refuerzo en todos los paneles, y cuenta con cámaras separadas para los woofers. Esto previene la excursión excesiva de un transductor causada por la carga inadecuada de la caja, en el raro evento de falla del transductor. Los ocho soportes de refuerzo reducen la resonancia en el panel.

Ambas aberturas del puerto, la interna y la externa, están totalmente redondeadas, asegurando un flujo de aire uniforme a alta potencia. Esto evita ruido de turbulencia audible en el puerto.

Con la carga simétrica de los puertos, los puertos de graves están igualmente separados a cada lado de los transductores, haciendo que la presión interna sea más uniforme a través de la superficie posterior del transductor. Esto evita que el cono sea desplazado de un lado a otro por fuerzas no equilibradas, reduciendo la probabilidad de impulsar la bobina de voz fuera del centro del espacio a altos niveles de potencia.

Tres tuercas en T en la parte superior de la caja permiten el montaje fácil del sistema de alta frecuencia HF-63 o del sistema de frecuencia media alta MH-1063, ambos de QSC.



**La caja no está diseñada para montarse suspendida, en voladizo ni sobre arneses. No suspenda esta caja, no la monte en voladizo ni sobre arneses.**

**Este producto es capaz de producir niveles de presión del sonido que pueden causar daños permanentes al oído humano. Siempre mantenga los niveles de presión del sonido en un área de audición con un nivel menor que el que provoca daños al oído humano.**

**Instale de acuerdo con las instrucciones de QSC Audio Products y de un ingeniero profesional con la debida licencia. Sólo use piezas, montajes, accesorios y soportes especificados por QSC Audio Products, Inc. Refiera todo el servicio a personal calificado. Cuando el aparato haya sido dañado de alguna manera, es necesario proporcionarle servicio.**



**¡ADVERTENCIA! Antes de colocar, instalar, montar o suspender cualquier producto de altavoz, inspeccione todo el equipo físico, la suspensión, los armarios, los transductores, los soportes y el equipo asociado para detectar la existencia de daños. Cualquier componente faltante, corroído, deformado, o sin carga nominal podría reducir significativamente la resistencia de la instalación, la colocación o la configuración. Cualquier condición de este tipo reduce gravemente la seguridad de la instalación y debe corregirse de inmediato. Use sólo herraje que esté clasificado para las condiciones de carga de la instalación y cualquier posible carga excesiva a corto plazo inesperada. Nunca exceda el valor nominal del equipo físico ni del dispositivo. Consulte a un ingeniero profesional con la debida licencia cuando surjan dudas o preguntas referentes a la instalación física del equipo.**

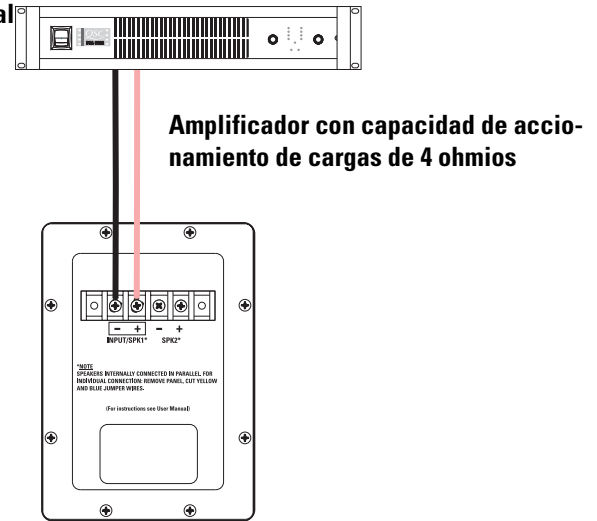


## Conexiones

### Conexión normal

El altavoz LF-3215 tiene terminales de tornillo de barra protectora para su conexión. Los terminales aceptan cableado trenzado de hasta #10 AWG (5.3 mm<sup>2</sup>) para altavoces. Use el alambre de calibre más grande y de longitud más corta posible para la aplicación. Observe las marcas de polaridad y mantenga la polaridad uniforme en todo el sistema para permitir el mejor rendimiento.

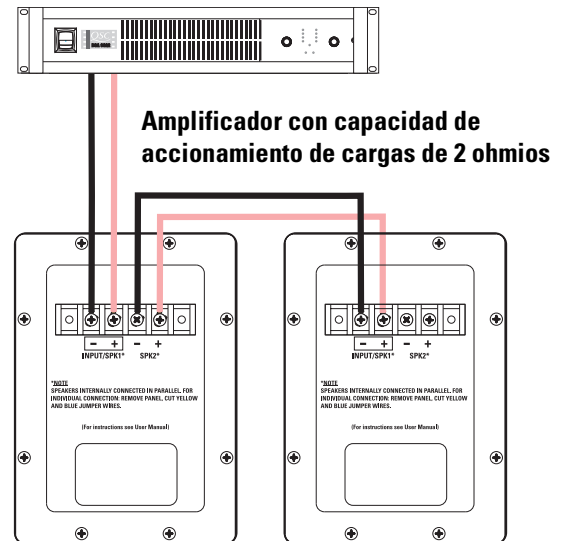
### Ejemplo de una conexión normal



### Conexión en paralelo de un segundo LF-3215

Los terminales marcados SPK2 se pueden usar para conectar en paralelo otro altavoz LF-3215. Conecte los cables como se muestra en la ilustración, a la derecha. Nota: si el cableado interno de LF-3215 se ha modificado de alguna manera, es posible que no funcione. En este caso, quite la cúpula del terminal y verifique la presencia de alambres amarillos y azules de puentes instalados en fábrica; corrija el problema según se requiera, o solicite que den servicio al altavoz.

### Ejemplo de conexión en paralelo:



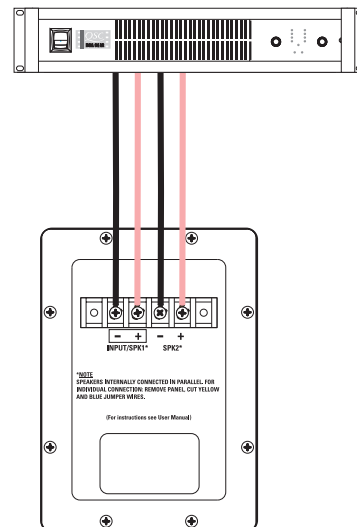
### Conexión del transductor individual (requiere modificación)

Los transductores están conectados en paralelo dentro de la caja. Si se requiere la conexión del transductor individual, quite la cúpula del terminal y quite los alambres amarillo y azul del puente que están conectados entre los terminales SPK1 y SPK2. Vuelva a colocar la cúpula del terminal y marque la caja con una nota que indique la modificación.

### Ejemplo de la conexión de un transductor individual:



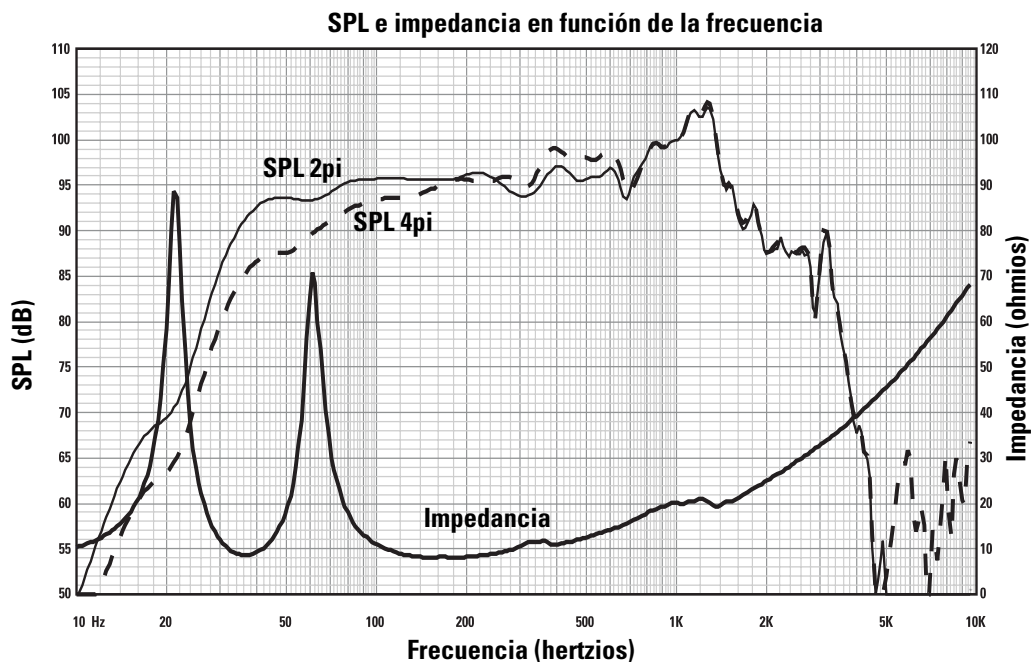
**¡PRECAUCIÓN!**  
Requiere desmontar la cúpula del terminal y los alambres amarillo y azul que conectan los terminales SPK1 y SPK2.





## **Especificaciones del sistema LF-3215 (sujetas a cambio sin previo aviso)**

<b>Intervalo de frecuencias:</b>	32 -1500 Hertzios (-6dB) Intervalo utilizable de 28 -3300 Hertzios (-10 dB)
<b>Cobertura nominal:</b>	100° horizontal X 55° vertical a 600 Hertzios
<b>Salida máxima:</b>	Pico calculado de SPL: 132.5 dB, 1 metro, medio espacio, a una potencia rms nominal con entrada de ruido rosa con factor de cresta de 6 dB, 25 - 250 Hertzios. Máximo calculado continuo de SPL: 126.5 dBA, 1 metro. La escala de dBA típicamente se usa para identificar fuentes de sonido que pueden causar pérdida auditiva permanente.
<b>Impedancia:</b>	4 ohmios, nominal 4.1 ohmios mínimo, 180 Hertzios 55 ohmios máximo, 21 Hertzios
<b>Potencia máxima de entrada:</b>	600 vatios rms (8 horas de ruido rosa con factor de cresta de 6 dB, 40 -400 Hertzios) 750 vatios rms (2 horas de ruido rosa con factor de cresta de 6 dB, 40 -400 Hertzios) Capacidad recomendada de potencia del amplificador: 1200 vatios rms como máximo en 4 ohmios (por LF-3215)
<b>Sensibilidad:</b>	98.5 dB medio espacio, 97.5 dB espacio completo, 35 - 1000 Hertzios, 1 vatio, 1 metro
<b>Procesamiento recomendado:</b>	Filtro subsónico menor de 30 Hertzios, >18 dB por octava, la frecuencia máxima de cruce recomendada es de 1000 Hertzios. Las configuraciones DSP de QSC están disponibles en <a href="http://www.qscaudio.com">www.qscaudio.com</a> . Los parámetros para el herraje de procesamiento alternativo están disponibles si así se solicitan.
<b>Conectores:</b>	Los terminales de tornillo de barra protectora aceptan alambre trenzado de hasta #10 AWG . Cuatro terminales: (dos de ENTRADA y dos de SALIDA PARALELA). Los transductores están cableados internamente en paralelo. Para la conexión de un transductor independiente, quite los alambres azul y amarillo de los puentes que se encuentran en el lado interno de la cúpula del terminal y marque la caja de acuerdo con esto.
<b>Transductores:</b>	Dos transductores de baja frecuencia de alta eficiencia, de 15" (381 mm), con bobinas de voz de cobre de 3" (76mm) ventiladas, en soportes de Kapton®. Diseño de alta excursión/baja deformación, con un manejo de potencia extremadamente alta, y baja compresión térmica y de puerto.
<b>Caja:</b>	Alineación Quasi B4, caja con puertos totalmente abocinados, diseño de puerto simétrico de baja turbulencia, afinado a 36 Hertzios, construido de cartón duro de media densidad y fuertemente soportado. Tiene pernos de montaje del woofer resistentes al vandalismo.
<b>Tamaño:</b>	30" de ancho X 35" de alto X 20" de profundidad (762 mm X 889 mm X 508 mm)
<b>Peso:</b>	195 libras envío, 172 libras neto (88/78 kg.)



## **Garantía (sólo para EE.UU.; para otros países, consulte con su vendedor o distribuidor)**

### **Renuncia de responsabilidad**

QSC Audio Products, Inc. no es responsable por ningún daño a los amplificadores, ni a ningún otro equipo que sea causado por negligencia o instalación y/o uso inadecuado de este altavoz.

### **Garantía limitada de 3 años de QSC Audio Products**

QSC Audio Products, Inc. ("QSC") garantiza que sus productos estarán libres de materiales y/o mano de obra defectuosos por un periodo de tres (3) años a partir de la fecha de la venta, y reemplazará las piezas defectuosas y reparará los productos que funcionen mal bajo esta garantía cuando el defecto ocurra bajo condiciones normales de instalación y uso, siempre y cuando la unidad se devuelva a nuestra fábrica o a una de nuestras estaciones autorizadas de servicio mediante transportación prepagada con una copia del comprobante de compra (por ejemplo, el recibo de la compra). Esta garantía requiere que el examen del producto devuelto indique, en nuestra opinión, un defecto de fabricación. Esta garantía no se extiende a ningún producto que hubiera estado sometido a uso indebido, negligencia, accidente, instalación incorrecta, o en el que se hubiera quitado o modificado el código de la fecha. QSC tampoco será responsable por daños incidentales y/o emergentes. Esta garantía le otorga derechos legales específicos. Esta garantía limitada es libremente transferible durante el período de la misma.

El cliente podría gozar de derechos adicionales, que podrían variar de un estado a otro.

En caso de que este producto fuera fabricado para exportación y venta fuera de los Estados Unidos o sus territorios, entonces no será aplicable esta garantía limitada. La eliminación del número de serie en este producto, o la compra de este producto de un distribuidor no autorizado, anularán esta garantía limitada. Esta garantía se actualiza periódicamente. Para obtener la versión más reciente de la declaración de la garantía de QSC, por favor visite [www.qscaudio.com](http://www.qscaudio.com). Comuníquese con nosotros al 800-854-4079 o visite nuestro sitio en Internet en [www.qscaudio.com](http://www.qscaudio.com).

## **Cómo comunicarse con QSC Audio Products**

Dirección postal: QSC Audio Products, Inc.  
1675 MacArthur Boulevard  
Costa Mesa, CA 92626-1468 EE.UU.

Números de teléfono:

Número principal +1 (714) 754-6175

Ventas y comercialización +1 (714) 957-7100 o gratis (sólo EE.UU.) +1 (800) 854-4079

Servicio al cliente +1 (714) 957-7150 o gratis (sólo EE.UU.) +1 (800) 772-2834

Números de fax:

Fax de ventas y comercialización +1 (714) 754-6174

Fax de servicio al cliente +1 (714) 754-6173

World Wide Web: [www.qscaudio.com](http://www.qscaudio.com)

Correo electrónico: [info@qscaudio.com](mailto:info@qscaudio.com)

[service@qscaudio.com](mailto:service@qscaudio.com)





1675 MacArthur Blvd., Costa Mesa, CA 92626

Téléphone (standard) +1 (714) 754-6175 Ventes et Marketing +1 (714) 957-7100

ou +1 (800) 854-4079 (numéro vert valable aux États-Unis seulement)

Service clientèle +1 (714) 957-7150 ou numéro vert (États-Unis seulement) +1 (800) 772-2834

## Manuel d'utilisation de systèmes de haut-parleurs de cinéma

# Composant haute fréquence HF-63

### Introduction

Le HF-63 est le composant haute fréquence de systèmes de haut-parleurs de canaux d'écran bi-amplifié et bidirectionnel pour applications haute performance en salles de cinéma. Il a été conçu pour fonctionner avec le haut-parleur de grave pour salles de cinéma LF-3115 ou LF-3215 de QSC.

Le système haute fréquence HF-63 a un étage d'attaque de compression à membrane en titane grand format (63,5 mm) monté sur un pavillon acoustique haute fréquence de cinéma avec un support réglable panoramique et basculant. Le pavillon acoustique a de larges angles de couverture horizontaux et verticaux pour garantir l'audition depuis chaque fauteuil de la salle. Le pavillon acoustique est un guide d'ondes basse distorsion permettant un dialogue très clair sans la coloration associée aux haut-parleurs à pavillon acoustique conventionnels.

Le HF-63 inclut une protection d'étage d'attaque et un réseau d'égalisation qui garantissent un fonctionnement fiable. Des condensateurs qui bloquent le courant c.c. protègent contre les signaux c.c. ou basse fréquence qui risquent d'endommager un étage d'attaque sans protection. Le circuit du limiteur de puissance protège l'étage d'attaque d'une surpuissance et un filtre de correction de réponse lisse la réponse en fréquence de l'ensemble pavillon acoustique/étage d'attaque. Un traitement extérieur est obligatoire, dans la mesure où le filtre de correction de réponse n'est pas un filtre passif.

Les composants du HF-63 sont livrés pré-assemblés pour réduire le temps d'assemblage sur site. Trois boulons suffisent pour fixer le HF-63 sur le dessus de l'enceinte basse fréquence QSC.

### Montage

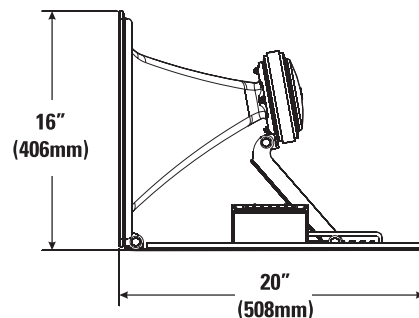
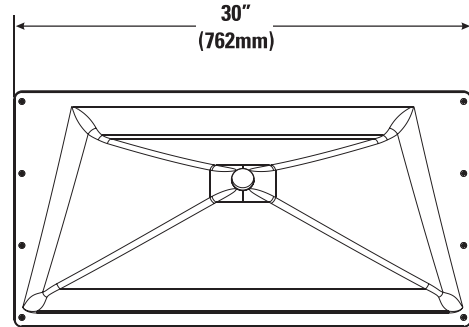
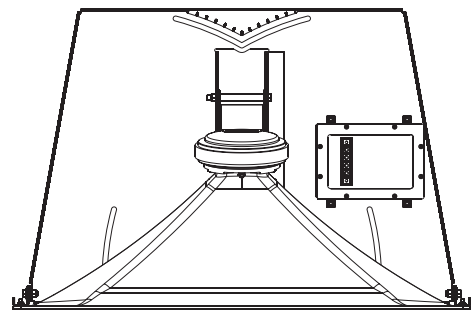
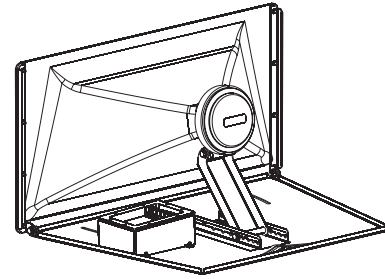
Pour les informations de montage, se reporter à l'illustration. Le HF-63 s'attache sur le dessus du LF-3115 ou du LF-3215 à l'aide de trois boulons 5/16-18 de 19 mm de long et des rondelles d'arrêt correspondantes. La visserie est expédiée installée sur l'armoire basse fréquence. Nous recommandons l'utilisation d'une graisse pour filetage lors de l'installation des boulons pour empêcher leur desserrage suite aux vibrations. Orienter le pavillon acoustique dans le plan horizontal (panoramique) avant de serrer. Ajuster l'inclinaison verticale en réglant le support.



**Installer conformément aux instructions de QSC Audio Products et d'un technicien professionnel diplômé. Utiliser uniquement des fixations, supports, accessoires ou équerres spécifiés par QSC Audio Products. Confier toutes les réparations à un personnel qualifié. Une réparation ou maintenance est requise lorsque l'appareil a été endommagé d'une manière quelconque.**



**AVERTISSEMENT ! Avant de placer, installer, monter ou suspendre un haut-parleur, inspecter l'état de toute la visserie, du matériel de suspension, des armoires, des transducteurs, des supports et du matériel associé. Tout composant manquant, corrodé, déformé ou non adapté à la charge risque de réduire sensiblement la solidité de l'installation, sa mise en place ou sa portée. Une telle condition réduit sensiblement la sécurité de l'installation et doit être immédiatement corrigée. Utiliser uniquement du matériel de montage prévu pour les conditions de charge de l'installation et toute surcharge éventuelle à court terme imprévue. Ne jamais dépasser les spécifications nominales du matériel de montage ou de l'équipement. Consulter un technicien professionnel diplômé en cas de doute ou de question concernant l'installation physique de l'équipement.**



## Branchements

### Bornes HF INPUT (Entrée HF)

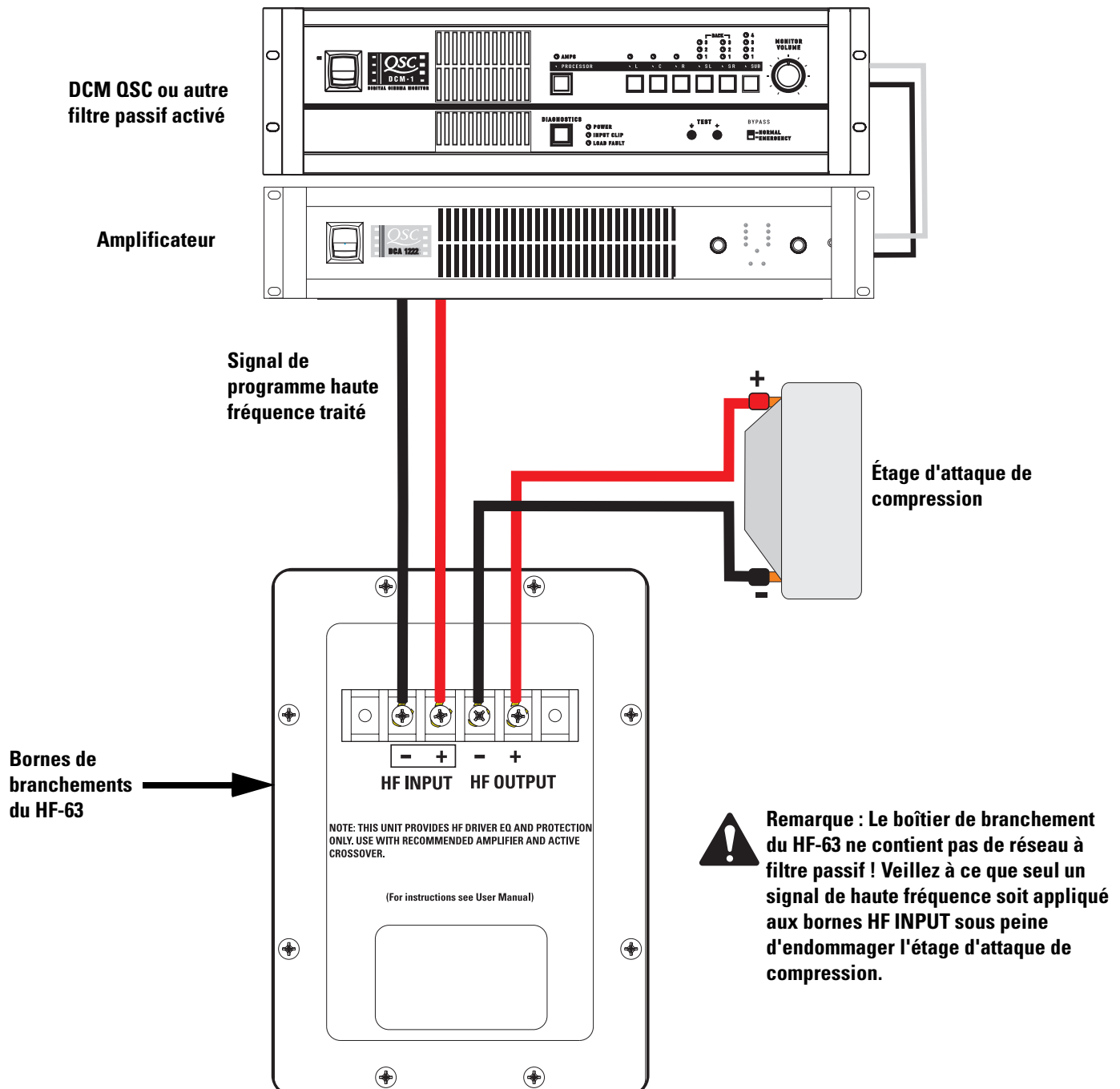
Le HF-63 a des bornes vissables de bornier à cloisons qui acceptent des conducteurs de haut-parleurs toronnés pouvant atteindre #10 AWG (5,3 mm<sup>2</sup>). Connecter le signal de sortie haute fréquence de l'amplificateur aux bornes **HF INPUT** du haut-parleur. Vérifier si la polarité est correcte : signal + de l'amplificateur connecté à **HF INPUT +** du haut-parleur et signal - de l'amplificateur connecté à **HF INPUT -**. Utiliser des conducteurs de calibre maximal et de longueur minimale pour l'application.



**REMARQUE !** Pour une performance maximum, maintenir la polarité de branchement correcte à travers l'ensemble du système. Ne pas appliquer de signal pleine gamme au HF-63 ! Le HF-63 n'est muni d'aucun filtre passif, seulement d'un réseau d'égalisation et de protection. L'ensemble du traitement du signal doit être effectué avant l'application du signal au HF-63.

### Bornes HF OUTPUT (Sortie HF)

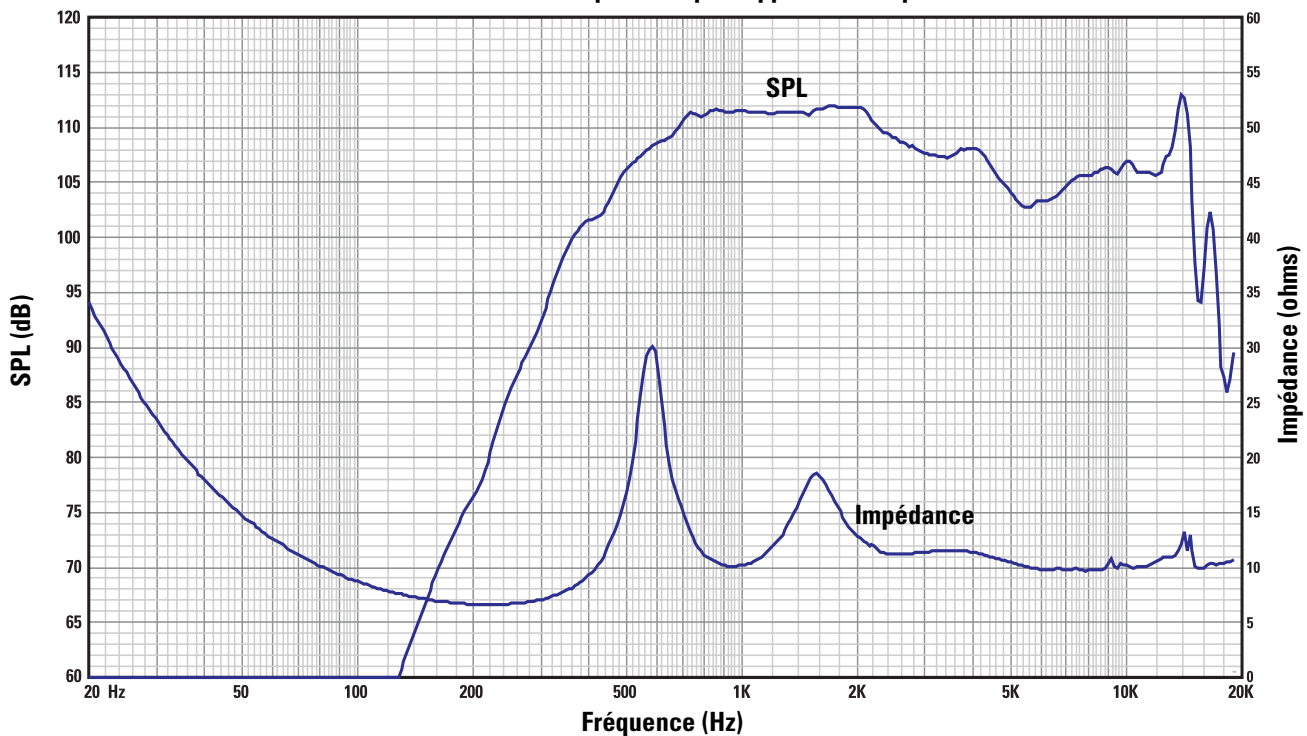
Les bornes **HF OUTPUT** sont connectées en usine à l'étage d'attaque de compression. Ces bornes doivent **UNIQUEMENT** être connectées à l'étage d'attaque de compression du HF-63.



## Caractéristiques techniques du HF-63 (sujettes à modification sans préavis)

<b>Plage de fréquence :</b>	400 à 16 kHz (-6 dB, espacement total)
<b>Couverture nominale :</b>	90° horizontale x +15 à -35° verticale (50° au total ; le support réglable permet les ajustements dans le plan vertical.). Le plan horizontal se règle en modifiant la position de montage sur l'enceinte basse fréquence avant de serrer les boulons.
<b>Indice de directivité :</b>	9 dB (600 à 16 000 Hz en moyenne)
<b>Q :</b>	8 (600 à 16 000 Hz en moyenne)
<b>Sortie maximale :</b>	Niveau de pression sonore maximal calculé de 131,5 dB, à 1 m, demi-espacement.
<b>Impédance :</b>	8 ohms (nominale) 9 ohms minimum à 8 000 Hz 30 ohms maximum à 475 Hz
<b>Puissance d'entrée maximale :</b>	50 W (efficace) (8 heures de bruit rose de facteur de crête 6 dB, 1 000 à 10 000 Hz) 60 W (efficace) (2 heures de bruit rose de facteur de crête 6 dB, 1 000 à 10 000 Hz, méthode AES)
<b>Sensibilité :</b>	107,5 dB, demi-espacement, 1 W, 1 m
<b>Fréquence de filtre passif :</b>	1 000 Hz ou plus, 24 dB par octave
<b>Connecteurs :</b>	Les bornes acceptent des câbles de haut-parleurs toronnés pouvant atteindre #10 AWG. Quatre bornes : (deux bornes HF INPUT et deux borne HF OUTPUT de post-compensation). Les bornes HF OUTPUT sont câblées en usine à l'étage d'attaque de compression.
<b>Transducteurs :</b>	Sortie de 38 mm, étage d'attaque de compression à membrane titane de 63,5 mm.
<b>Fixations :</b>	S'attache sur le dessus de boîtier basse fréquence par trois boulons 5/16-18 x 1,9 m de long.
<b>Dimensions :</b>	762 mm (largeur) x 406 mm (hauteur) x 508 mm (épaisseur)
<b>Poids brut :</b>	22,7 kg. Poids net : 18,4 kg

**SPL et impédance par rapport à la fréquence**



## **Garantie (États-Unis seulement ; dans les autres pays, consulter le revendeur ou le distributeur)**

### **Avis de non-responsabilité**

QSC Audio Products, Inc. n'est pas responsable des dommages subis par les amplificateurs ou tout autre équipement causé par un acte de négligence ou une installation impropre et/ou l'utilisation de ce haut-parleur.

### **QSC Audio Products - Garantie limitée de 3 ans**

QSC Audio Products, Inc. (« QSC ») garantit que ses produits sont dépourvus de tout vice de fabrication et/ou de matériel pendant une période de trois (3) ans à partir de la date de vente et remplacera les pièces défectueuses et réparera les produits qui fonctionnent mal dans le cadre de cette garantie si le défaut survient dans des conditions normales d'installation et d'utilisation - à condition que l'appareil soit retourné à l'usine ou à l'un de nos centres de réparation agréés en port prépayé, accompagné d'un justificatif d'achat (facture, par ex.). Cette garantie prévoit que l'examen du produit retourné doit indiquer, selon notre jugement, un défaut de fabrication. Cette garantie ne s'étend à aucun produit qui a été soumis à une utilisation abusive, un acte de négligence, un accident, une installation incorrecte ou un produit dont le code-date a été retiré ou effacé. QSC ne pourra être tenue pour responsable de dommages accessoires et/ou indirects. Cette garantie vous accorde des droits spécifiques. Cette garantie limitée est librement cessible durant sa période de validité.

Le client pourra bénéficier d'autres droits, variables d'une juridiction à l'autre.

Si ce produit a été fabriqué pour une exportation et une vente en dehors des États-Unis ou de ses territoires, cette garantie limitée ne s'appliquera pas. Le retrait du numéro de série sur ce produit ou l'achat de ce produit auprès d'un revendeur non agréé annulera cette garantie limitée. Cette garantie est régulièrement mise à jour. Pour obtenir la toute dernière version de la garantie de QSC, rendez-vous sur le site [www.qscaudio.com](http://www.qscaudio.com). Contactez-nous au 800-854-4079 ou visitez notre site Web [www.qscaudio.com](http://www.qscaudio.com).

## **Pour contacter QSC Audio Products**

Adresse postale : QSC Audio Products, Inc.  
1675 MacArthur Boulevard  
Costa Mesa, CA 92626-1468, États-Unis

Téléphone :

Standard +1 (714) 754-6175

Ventes & Marketing +1 (714) 957-7100 ou numéro vert (États-Unis seulement) +1 (800) 854-4079

Service clientèle +1 (714) 957-7150 ou numéro vert (États-Unis seulement) +1 (800) 772-2834

Télécopieur :

Ventes & Marketing Télécopieur +1 (714) 754-6174

Service clientèle Télécopieur +1 (714) 754-6173

Site Web : [www.qscaudio.com](http://www.qscaudio.com)

E-mail : [info@qscaudio.com](mailto:info@qscaudio.com)

[service@qscaudio.com](mailto:service@qscaudio.com)





1675 MacArthur Blvd., Costa Mesa, CA 92626

Téléphone (standard) +1 (714) 754-6175 Ventes et Marketing +1 (714) 957-7100

ou +1 (800) 854-4079 (numéro vert valable aux États-Unis seulement)

Service clientèle +1 (714) 957-7150 ou numéro vert (États-Unis seulement) +1 (800) 772-2834

## Manuel d'utilisation de systèmes de haut-parleurs de cinéma

### Haut-parleur basse fréquence **LF-3215**

#### Introduction

L'enceinte basse fréquence double de 381 mm LF-3215 a été tout spécialement conçue pour les applications en salle de cinéma. Les exigences des cinémas en matière de réponse longue durée basse fréquence différencient le LF-3215 des systèmes de haut-parleurs de graves « rock-and-roll » plus conventionnels. Le LF-3215 couvre la plage de fréquence de 32 à 1500 Hz, selon les exigences de haute fréquence du système. Avec peu d'espace entre les haut-parleurs de graves, le LF-3215 améliore le couplage et permet des angles de couverture larges sur une plus grande plage de fréquences que les modèles plus espacés.

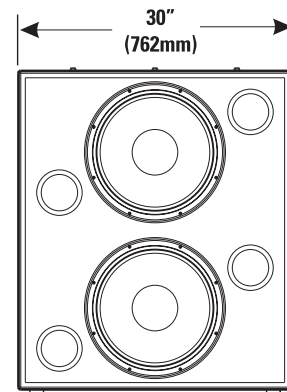
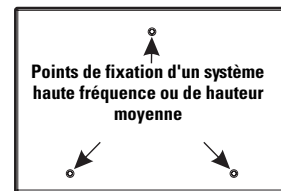
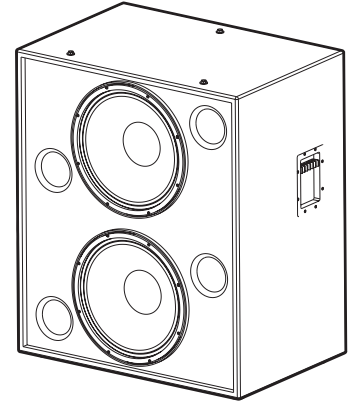
Les transducteurs de 300 W et 38 cm sont bien adaptés à une utilisation dans les salles de cinéma. Ils ont des bobines mobiles de 76 mm, des aimants en céramique de 3,4 kg et des pôles à événements pour empêcher la surchauffe. Les températures inférieures augmentent la durée de vie des transducteurs et diminuent le problème de compression de puissance à de hauts niveaux de puissance. La suspension et la bobine mobile de chaque transducteur visent à produire une faible distorsion et des graves à fort impact à haute puissance.

L'enceinte est faite de panneaux de fibres de densité moyenne et de haute qualité avec des renforts sur tous les panneaux et elle a des caissons de graves distincts. Ce principe empêche le dépassement de course d'un transducteur qui serait causé par le chargement inadéquat du boîtier dans l'éventualité rare d'une panne de transducteur. Les huit renforts réduisent la résonance des panneaux.

Les ouvertures internes et externes des ports sont entièrement arrondies, garantissant la circulation d'air uniforme à haute puissance, ce qui empêche les interférences sonores.

Grâce au chargement symétrique des ports (SPL), les ports à basses sont équidistants de part et d'autre des transducteurs, ce qui répartit uniformément la pression interne à travers la surface arrière du transducteur. Ceci empêche le déplacement du cône d'un côté ou de l'autre par des forces déséquilibrées, ce qui réduit le risque d'excentrage de la bobine mobile à haute puissance.

Trois écrous en T sur le dessus de l'enceinte facilitent la fixation du système haute fréquence HF-63 ou du système sonore de hauteur moyenne MH-1063 de QSC.



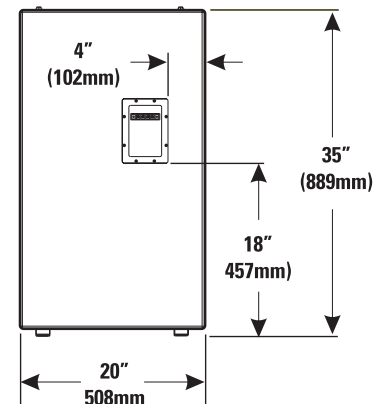
**L'enceinte n'a pas été conçue pour être suspendue, balancée ou montée. La suspension, le balancement ou le montage de l'enceinte sont interdits.**

**Ce produit est capable de produire des niveaux de pression sonore susceptibles d'endommager l'ouïe de manière irréversible. Toujours maintenir les niveaux de pression sonore dans la zone d'écoute en deçà de niveaux susceptibles de compromettre l'ouïe.**

**Installer conformément aux instructions de QSC Audio Products et d'un technicien professionnel diplômé. Utiliser uniquement des fixations, supports, accessoires ou équerres spécifiés par QSC Audio Products. Confier toutes les réparations à un personnel qualifié. Une réparation ou maintenance est requise lorsque l'appareil a été endommagé d'une manière quelconque.**



**AVERTISSEMENT ! Avant de placer, installer, monter ou suspendre un haut-parleur, inspecter l'état de toute la visserie, du matériel de suspension, des armoires, des transducteurs, des supports et du matériel associé. Tout composant manquant, corrodé, déformé ou non adapté à la charge risque de réduire sensiblement la solidité de l'installation, sa mise en place ou sa portée. Une telle condition réduit sensiblement la sécurité de l'installation et doit être immédiatement corrigée. Utiliser uniquement du matériel de montage prévu pour les conditions de charge de l'installation et toute surcharge éventuelle à court terme imprévue. Ne jamais dépasser les spécifications nominales du matériel de montage ou de l'équipement. Consulter un technicien professionnel diplômé en cas de doute ou de question concernant l'installation physique de l'équipement.**



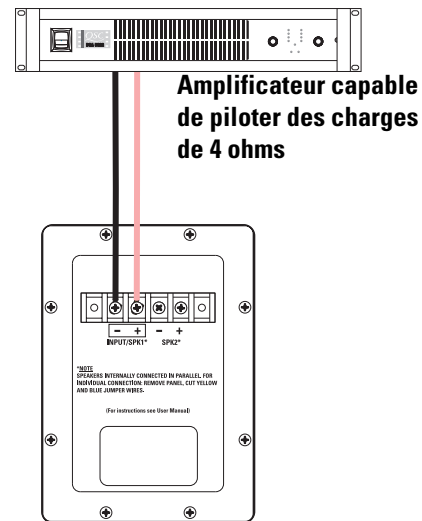


## Branchements

### Branchement normal

Le branchement du LF-3215 se fait à partir de bornes vissables de bornier à cloisons. Les bornes acceptent des câbles de haut-parleurs toronnés pouvant atteindre #10 AWG (5,3 mm<sup>2</sup>). Utiliser des conducteurs de calibre maximal et de longueur minimale pour l'application. Observer les repères de polarité et maintenir une polarité constante à travers le système pour une meilleure performance.

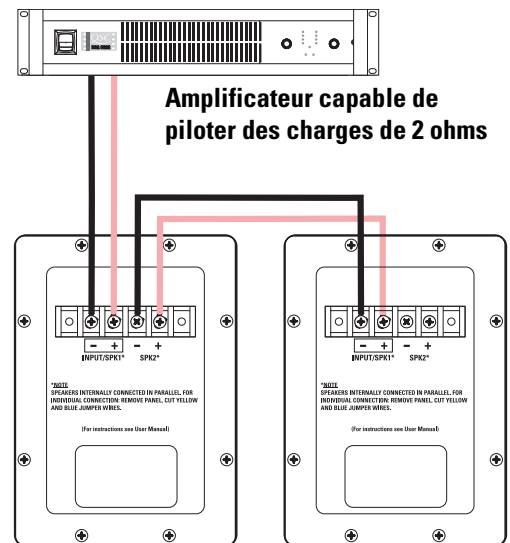
### Exemple de branchement normal :



### Exemple de branchement en parallèle :

### Branchement en parallèle d'un second LF-3215

Le marqueur de bornes SPK2 peut servir au branchement d'un autre LF-3215 en parallèle. Brancher les conducteurs comme indiqué sur l'illustration, à droite. Remarque : Si le câblage interne du LF-3215 a été modifié d'une manière quelconque, il est possible que ce branchement ne donne aucun résultat. Dans ce cas, retirer la cupule de la borne et vérifier la présence des connexions temporaires jaune et bleue ; corriger le problème ou faire réparer le haut-parleur.



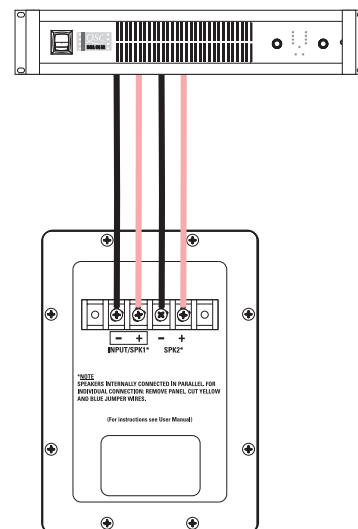
### Transducteur individuel Exemple de branchement :

### Branchement individuel des transducteurs (modification obligatoire)

Les transducteurs sont câblés en parallèle à l'intérieur de l'enceinte. Si un branchement individuel est requis, retirer la cupule de la borne et retirer les connexions temporaires jaune et bleue entre les bornes SPK1 et SPK2. Remettre la cupule sur la borne et apposer sur l'enceinte une note indiquant la modification.



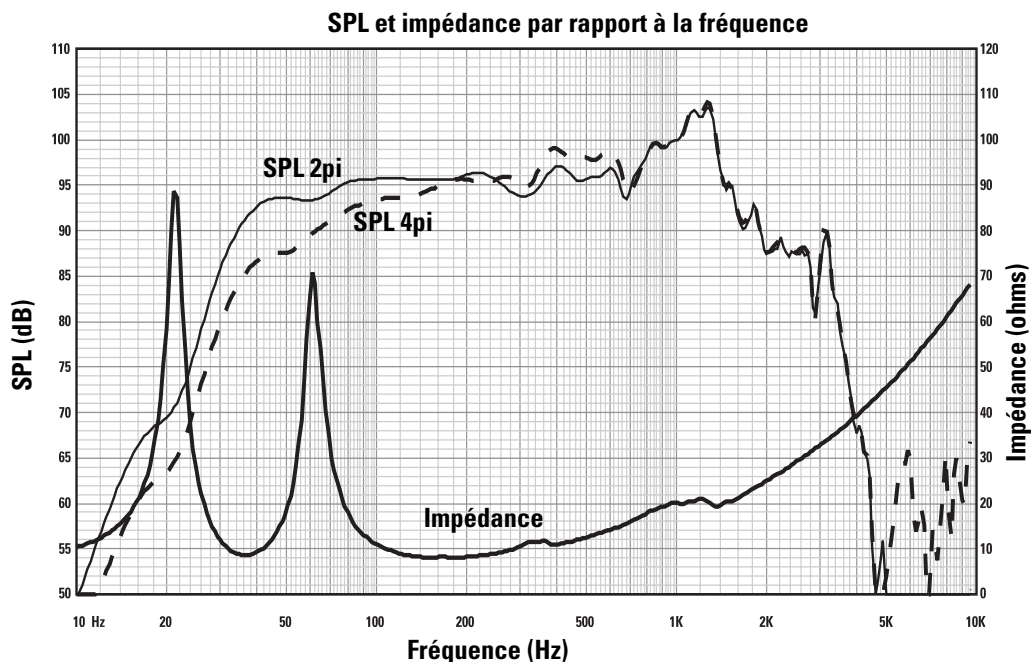
**ATTENTION ! Exige le retrait de la cupule sur la borne et la coupe des connexions temporaires jaune et bleu entre les bornes SPK1 et SPK2.**





## Caractéristiques techniques du LF-3215 (sujettes à modification sans préavis)

<b>Plage de fréquence :</b>	32 à 1 500 Hz (-6 dB) 28 à 3 300 Hz (plage utile) (-10 dB)
<b>Couverture nominale :</b>	100° horizontal x 55° vertical à 600 Hz
<b>Sortie maximale :</b>	Niveau de pression sonore maximal calculé de 132,5 dB, à 1 m, demi-espacement, à la puissance nominale efficace avec 6 dB entrée de bruit rose de facteur de crête, 25 à 250 Hz. Niveau de pression sonore maximal calculé continu de 126,5 dBA, à 1 m. L'échelle de dBA sert généralement à identifier les sources sonores susceptibles de causer une surdité permanente.
<b>Impédance :</b>	4 ohms, nominale 4,1 ohms minimale, 160 Hz 55 ohms maximale, 21 Hz
<b>Puissance d'entrée maximale :</b>	600 W (efficace) (8 heures de bruit rose de facteur de crête 6 dB, 40 à 400 Hz) 750 W (efficace) (2 heures de bruit rose de facteur de crête 6 dB, 40 à 400 Hz) Capacité de puissance d'amplificateur recommandée - 1 200 W (efficace) maximum dans 4 ohms (conformément au modèle LF-3215)
<b>Sensibilité :</b>	98,5 dB demi-espacement, 97,5 dB espacement total, 35 à 1000 Hz, 1 W, 1 m
<b>Traitement recommandé :</b>	Filtre subsonique inférieur à 30 Hz, >18 dB par octave ; fréquence de filtre passif maximale recommandée : 1 000 Hz. Les configurations des processeurs de champs sonores numériques QSC sont disponibles sur le site <a href="http://www.qscaudio.com">www.qscaudio.com</a> . Les paramètres concernant d'autres matériels de traitement sont disponibles sur demande.
<b>Connecteurs :</b>	Les bornes acceptent des câbles de haut-parleurs toronnés pouvant atteindre #10 AWG. Quatre bornes : (deux d'entrée et deux de sortie parallèle). Les transducteurs sont câblés à l'intérieur en parallèle. Pour le branchement indépendant d'un transducteur, retirer la connexion temporaire bleue et la connexion temporaire jaune de l'intérieur de la cupule de borne et laisser une note sur l'enceinte signalant cette modification.
<b>Transducteurs :</b>	Deux transducteurs basse fréquence ultra-efficaces de 381 mm avec bobines mobiles en cuivre de 76 mm à événements sur formes Kapton®. Conception du type excursion élevée/faible distorsion, qui permet le traitement d'une puissance extrêmement élevée, et réduit la chauffe et la compression des ports.
<b>Enceinte :</b>	Enceinte résonnante à alignement quasi B4 avec ports entièrement arrondis ; conception symétrique des ports à faible turbulence ; réglée à 36 Hz, en panneaux de fibres de densité moyenne et fortement renforcé. Possède des boulons de fixation sur les haut-parleurs de graves résistants aux vandaes.
<b>Dimensions :</b>	762 mm (largeur) x 889 mm (hauteur) x 508 mm (épaisseur)
<b>Poids brut :</b>	88 kg Poids net : 78 kg



## **Garantie (États-Unis seulement ; dans les autres pays, consulter le revendeur ou le distributeur)**

### **Avis de non-responsabilité**

QSC Audio Products, Inc. n'est pas responsable des dommages subis par les amplificateurs ou tout autre équipement causé par un acte de négligence ou une installation impropre et/ou l'utilisation de ce haut-parleur.

### **QSC Audio Products - Garantie limitée de 3 ans**

QSC Audio Products, Inc. (« QSC ») garantit que ses produits sont dépourvus de tout vice de fabrication et/ou de matériel pendant une période de trois (3) ans à partir de la date de vente et remplacera les pièces défectueuses et réparera les produits qui fonctionnent mal dans le cadre de cette garantie si le défaut survient dans des conditions normales d'installation et d'utilisation - à condition que l'appareil soit retourné à l'usine ou à l'un de nos centres de réparation agréés en port prépayé, accompagné d'un justificatif d'achat (facture, par ex.). Cette garantie prévoit que l'examen du produit retourné doit indiquer, selon notre jugement, un défaut de fabrication. Cette garantie ne s'étend à aucun produit qui a été soumis à une utilisation abusive, un acte de négligence, un accident, une installation incorrecte ou un produit dont le code-date a été retiré ou effacé. QSC ne pourra être tenue pour responsable de dommages accessoires et/ou indirects. Cette garantie vous accorde des droits spécifiques. Cette garantie limitée est librement cessible durant sa période de validité.

Le client pourra bénéficier d'autres droits, variables d'une juridiction à l'autre.

Si ce produit a été fabriqué pour une exportation et une vente en dehors des États-Unis ou de ses territoires, cette garantie limitée ne s'appliquera pas. Le retrait du numéro de série sur ce produit ou l'achat de ce produit auprès d'un revendeur non agréé annulera cette garantie limitée. Cette garantie est régulièrement mise à jour. Pour obtenir la toute dernière version de la garantie de QSC, rendez-vous sur le site [www.qscaudio.com](http://www.qscaudio.com). Contactez-nous au 800-854-4079 ou visitez notre site Web [www.qscaudio.com](http://www.qscaudio.com).

## **Pour contacter QSC Audio Products**

Adresse postale :QSC Audio Products, Inc.  
1675 MacArthur Boulevard  
Costa Mesa, CA 92626-1468, États-Unis

Téléphone :

Standard +1 (714) 754-6175

Ventes & Marketing +1 (714) 957-7100 ou numéro vert (États-Unis seulement) +1 (800) 854-4079

Service clientèle +1 (714) 957-7150 ou numéro vert (États-Unis seulement) +1 (800) 772-2834

Télécopieur :

Ventes & Marketing Télécopieur +1 (714) 754-6174

Service clientèle Télécopieur +1 (714) 754-6173

Site Web :[www.qscaudio.com](http://www.qscaudio.com)

E-mail :[info@qscaudio.com](mailto:info@qscaudio.com)

[service@qscaudio.com](mailto:service@qscaudio.com)



QSC Audio Products, Inc. 1675 MacArthur Boulevard Costa Mesa, California 92626 USA  
©2004 QSC et le logo QSC sont des marques déposées auprès de l'U.S. Patent and Trademark Office.  
Kapton® est une marque déposée de E.I. du Pont de Nemours and Company.



1675 MacArthur Blvd., Costa Mesa, CA, 92626 USA  
Zentrale +1 (714) 754-6175 Verkauf und Marketing +1 (714) 957-7100  
oder gebührenfrei (nur in den USA) +1 (800) 854-4079  
Kundendienst +1 (714) 957-7150 oder gebührenfrei (nur in den USA) +1 (800) 772-2834

## Kinolautsprecheranlagen - Benutzerhandbuch

# Hochfrequenzkomponente HF-63

### Einführung

Die Hochfrequenzkomponente HF-63 ist Bestandteil des Zweiweg-Lautsprechersystems mit doppelverstärktem Leinwandkanal für Hochleistungs-Kinoanwendungen. Sie kann zusammen mit dem Kino-Tieftonlautsprecher LF-3115 oder LF-3215 von QSC eingesetzt und auf beiden montiert werden.

Die im Großformat ausgelegte Hochfrequenzanlage HF-63 umfasst einen 2,5-Zoll- (63,5-mm-) Titan-Komprimierungstreiber, der auf einem speziell konstruierten Kino-Schalltrichter mit verstellbarer Schwenkarm-Halterung befestigt ist. Durch die breitwinkelige horizontale und vertikale Abstrahlung des Schalltrichters wird gewährleistet, dass der Beschallungsbereich alle Sitze im Zuschauerraum einschließt. Bei dem Schalltrichter handelt es sich um einen Wellenleiter mit geringer Verzerrung und äußerst klarer Dialogwiedergabe ohne das eingefärbte Klangbild, wie es oftmals bei konventionellen Schalltrichter-Lautsprechern auftritt.

Die Komponente HF-63 umfasst ein Treiberschutz- und Equalizing-Netzwerk, wodurch ein stets zuverlässiger Betrieb gewährleistet ist. Gleichstrom blockierende Kondensatoren bieten Schutz vor Gleichstrom- bzw. Niederfrequenzsignalen, die einen ungeschützten Treiber beschädigen könnten. Leistungsbegrenzungsschaltkreise schützen den Treiber vor Leistungsüberschreitung und ein Frequenzgangkorrekturfilter glättet den Frequenzgang der Schalltrichter/Treiber-Kombination. Es ist jedoch eine externe Signalverarbeitung erforderlich, da der Frequenzgangkorrekturfilter keine Frequenzweiche ist.

Für eine schnelle Montage am Einsatzort sind die HF-63-Komponenten vormontiert. Zur Befestigung der Komponente HF-63 auf einem QSC-Niederfrequenzgehäuse sind lediglich drei Schrauben erforderlich.

### Montage

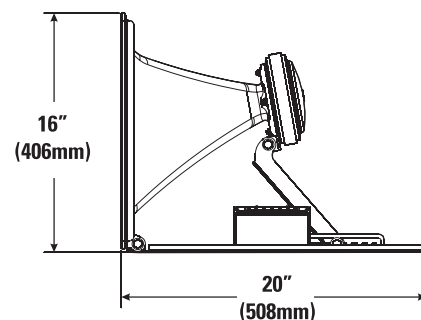
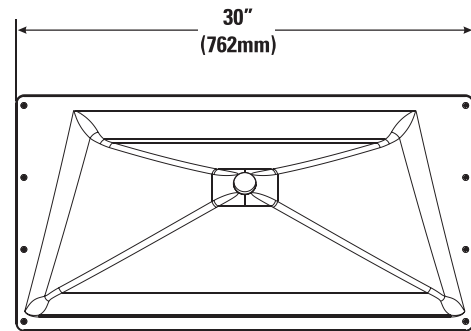
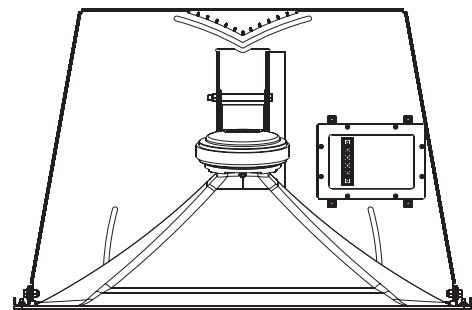
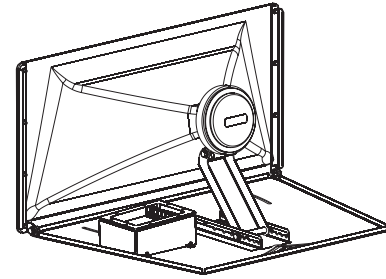
Einzelheiten zur Montage sind der Abbildung zu entnehmen. Die Komponente HF-63 wird mit drei Schrauben (5/16-18, 19 mm lang) und Federringen auf dem LF-3115 oder dem LF-3215 befestigt. Diese Befestigungsteile sind auf dem Niederfrequenzgehäuse vormontiert. Beim Einsetzen der Schrauben wird die Verwendung eines lösbaren Sicherungslacks empfohlen, um ein vibrationsbedingtes Lockern der Schrauben zu verhindern. Vor dem Festziehen den Schalltrichter auf dem Schwenkarm horizontal ausrichten. Die vertikale Neigung durch Verstellung der Schwenkarm-Halterung einstellen.



**Die Installation von einem lizenzierten Fachtechniker gemäß der Anleitung von QSC Audio Products vornehmen lassen. Nur von QSC Audio Products, Inc. spezifizierte Befestigungskomponenten, Montagezubehör oder Halterungen verwenden. Wartungsarbeiten nur von qualifiziertem Personal ausführen lassen. Wartungsmaßnahmen sind erforderlich, wenn das Produkt auf irgendeine Weise beschädigt wurde.**



**ACHTUNG! Inspizieren Sie vor dem Aufstellen, Installieren, Verdrahten oder Aufhängen von Lautsprecherprodukten alle Befestigungsteile, Aufhängungen, Gehäuse, Wandler, Halterungen und damit in Verbindung stehende Vorrichtungen auf eventuelle Schäden. Fehlende, korrodierte, verformte oder nicht belastbare Komponenten könnten die Stabilität der Installation, der Aufstellung oder der Gerätekombination deutlich reduzieren. Jeder Zustand dieser Art bewirkt eine erhebliche Verringerung der Sicherheit der Installation und sollte umgehend behoben werden. Verwenden Sie ausschließlich Befestigungsteile, die für die Belastungsbedingungen der Installation zugelassen und für jede potenzielle, unerwartete, kurzfristige Überlastung ausgelegt sind. Die Nennleistung der Befestigungsteile bzw. Ausrüstung darf keinesfalls überschritten werden. In Zweifelsfällen oder bei Fragen zur Installation eines Geräts sollten Sie einen qualifizierten Techniker hinzuziehen.**



## Verbindungen

### Hochfrequenz-Eingangsklemmen (HF INPUT)

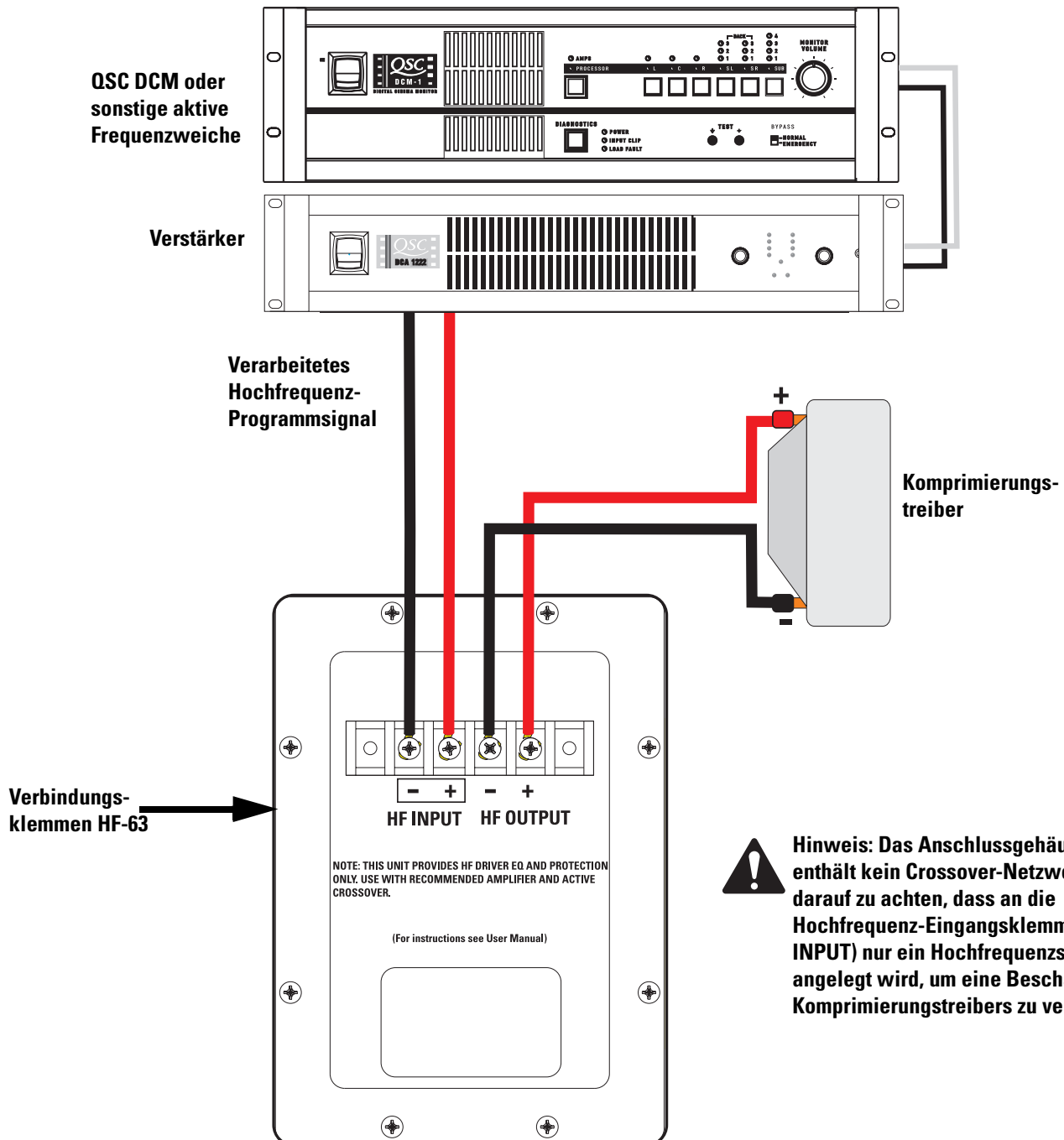
Die Komponente HF-63 ist mit Barrier-Strip-Schraubklemmen für Lautsprecher-Litzendraht mit einem maximalen Querschnitt von 10 AWG (5,3 mm<sup>2</sup>) ausgestattet. Das Verstärker-Hochfrequenzausgangssignal an die Lautsprechereingangsklemmen **HF INPUT** anschließen. Darauf achten, dass die richtige Polarität gewahrt ist: Das Plus-Signal (+) des Verstärkers muss an das Plus-Signal (+ **HF INPUT**) des Lautsprechers und das Minus-Signal (-) des Verstärkers muss an das Minus-Signal (- **HF INPUT**) des Lautsprechers (- **HF INPUT**) angeschlossen werden. Stets den größtmöglichen Leiterquerschnitt und die kürzeste Leiterlänge verwenden.



**HINWEIS!** Zur Optimierung der Leistung muss die richtige Polarität der Lautsprecheranschlüsse in der gesamten Anlage gewahrt sein. An der Komponente HF-63 kein Vollbereichssignal anlegen! Die Komponente HF-63 enthält keine Frequenzweiche, sondern lediglich ein Equalizing- und Treiberschutznetzwerk. Die benötigte Signalverarbeitung muss vollständig abgeschlossen sein, bevor das Signal an der Komponente HF-63 angelegt wird.

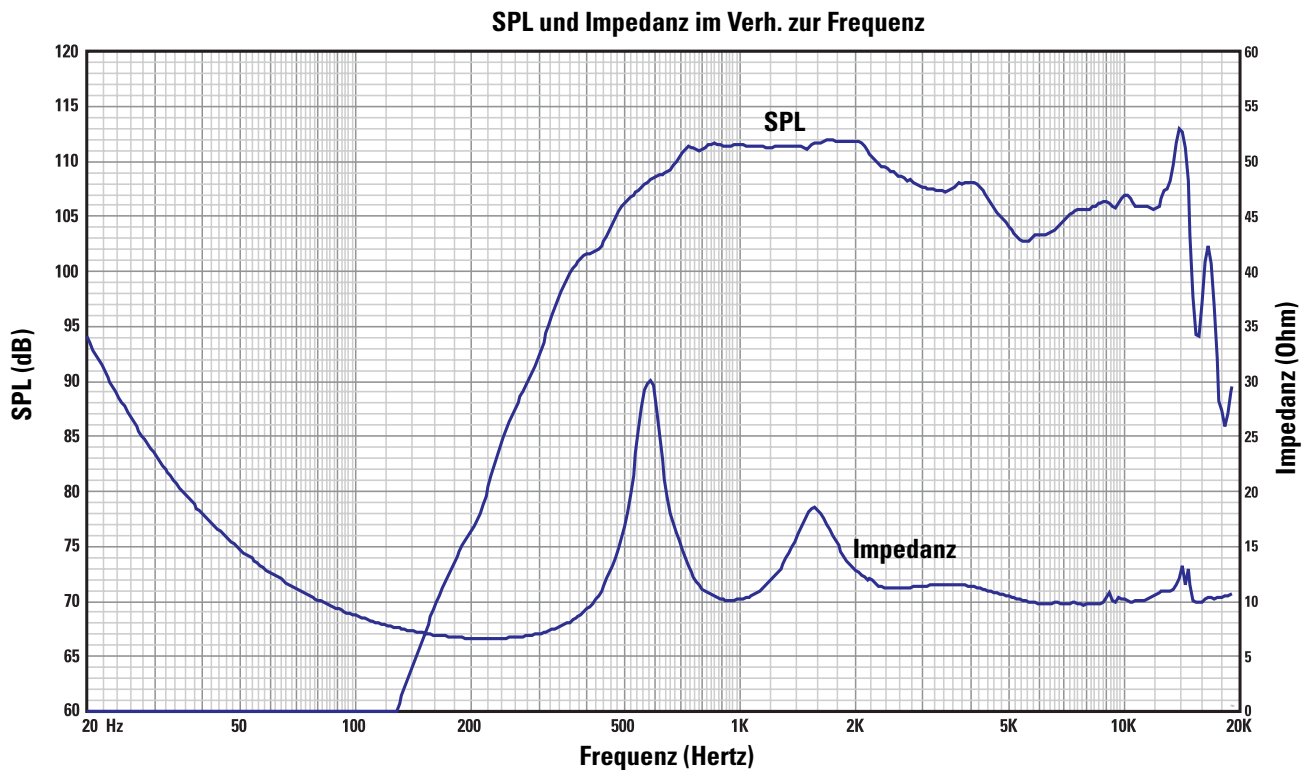
### Hochfrequenz-Ausgangsklemmen (HF OUTPUT)

Die Hochfrequenz-Ausgangsklemmen (**HF OUTPUT**) wurden werkseitig mit dem Komprimierungstreiber verbunden. Sie sollten **AUSSCHLIESSLICH** mit dem Komprimierungstreiber der HF-63 verbunden sein.



## **HF-63 - Technische Daten (können jederzeit ohne vorherige Mitteilung geändert werden)**

<b>Frequenzbereich:</b>	400 Hz - 16 kHz (-6 dB, Vollraum)
<b>Nominelle Abstrahlung:</b>	90° horizontal x +15 bis -35° vertikal (50° insgesamt, vertikale Einstellung erfolgt durch verstellbare Schwenkarm-Halterung). Die horizontale Abstrahlung kann durch Änderung der Montageposition auf dem Niederfrequenzgehäuse vor dem Festziehen der Schrauben eingestellt werden.
<b>DI:</b>	9,0 dB (durchschnittl. 600 bis 16.000 Hz)
<b>Q:</b>	8,0 (durchschnittl. 600 bis 16.000 Hz)
<b>Maximaler Ausgang:</b>	131,5 dB berechneter Spitzen-SPL, 1 m, Halbraum
<b>Impedanz:</b>	8 Ohm (nominell) 9,0 Ohm min. bei 8.000 Hz 30 Ohm max. bei 475 Hz
<b>Maximale Eingangsleistung:</b>	50 W eff. (8 Stunden bei Rosa-Rauschen mit einem Crestfaktor von 6 dB, 1.000 bis 10.000 Hz) 60 W eff. (2 Stunden Rosa-Rauschen mit einem Crestfaktor von 6 dB, 1.000 - 10.000 Hz, AES-Methode)
<b>Empfindlichkeit:</b>	107,5 dB Halbraum, 1 W, 1 m
<b>Crossover-Frequenz:</b>	1.000 Hz oder höher, 24 dB je Oktave
<b>Anschlüsse:</b>	Barrier-Strip-Schraubklemmen für Litzen Draht-Querschnitt bis zu 10 AWG (5,2 mm <sup>2</sup> ). 4 Klemmen: 2 HF-Eingangsklemmen (HF INPUT) und 2 Nachkompensationsausgänge (HF OUTPUT). HF OUTPUT werkseitig mit Komprimierungstreiber verbunden.
<b>Wandler:</b>	1,5-Zoll- (38-mm-) Ausgang, 2,5-Zoll- (63,5-mm-) Titan-Komprimierungstreiber.
<b>Befestigungsteile:</b>	Befestigung auf dem Niederfrequenzgehäuse mit drei Schrauben (5/16-18, 19 mm lang)
<b>Größe:</b>	762 mm breit x 406 mm hoch x 508 mm tief
<b>Gewicht:</b>	Versandgewicht: 22,7 kg, Nettogewicht: 18,4 kg



## **Garantie (nur für die USA; wenden Sie sich zwecks Garantieinformationen für andere Länder an Ihren Händler oder Distributor)**

### **Haftungsausschluss**

QSC Audio Products, Inc. ist nicht für Schäden an Verstärkern oder anderen Geräten haftbar, die durch Fahrlässigkeit oder eine unsachgemäße Installation und/oder Verwendung dieses Lautsprecherprodukts verursacht werden.

### **Beschränkte Dreijahresgarantie durch QSC Audio Products**

QSC Audio Products, Inc. („QSC“) gewährleistet, dass seine Produkte für einen Zeitraum von drei (3) Jahren ab dem Kaufdatum keine Material- und/oder Ausführungsfehler aufweisen werden, und QSC verpflichtet sich zum Ersatz defekter Teile und zur Reparatur funktionsgestörter Produkte gemäß dieser Garantie, wenn dieser Fehler bei einer normalen Installation und unter normalen Gebrauchsbedingungen auftritt – vorausgesetzt, dass das Gerät unter Vorauszahlung der Transportkosten und zusammen mit einer Kopie des Kaufnachweises (z.B. der Kaufquittung) an unser Werk zurückgeschickt oder an eine unserer autorisierten Kundendienststellen eingeschickt wird. Diese Garantie setzt voraus, dass die Prüfung des zurückgeschickten Produkts in unserem Ermessen einen Herstellungsdefekt zu erkennen gibt. Diese Garantie erstreckt sich auf keine Produkte, die einer unsachgemäßen oder fahrlässigen Behandlung, Unfällen oder einer unvorschriftsmäßigen Installation unterlagen, oder deren Datumscode entfernt oder unkenntlich gemacht wurde. QSC ist für keine Neben- und/oder Folgeschäden haftbar. Diese Garantie gewährt Ihnen bestimmte Rechte. Diese beschränkte Garantie ist während der Garantiezeit frei übertragbar.

Manche Kunden können je nach Rechtsprechung zusätzliche und andere Rechte besitzen.

Falls dieses Produkt zum Export und Verkauf außerhalb der Vereinigten Staaten oder deren Hoheitsgebieten hergestellt wurde, besitzt diese eingeschränkte Garantie keine Gültigkeit. Die Entfernung der Seriennummer auf diesem Produkt oder der Kauf dieses Produkts von einem nicht autorisierten Händler macht diese beschränkte Garantie unwirksam. Diese Garantie wird gelegentlich aktualisiert. Die jeweils aktuellste Version der Garantieerklärung von QSC finden Sie im Internet unter [www.qscaudio.com](http://www.qscaudio.com). Sie erreichen uns telefonisch unter +1 800-854-4079 (gebührenfrei in den USA und Kanada) oder im Internet unter [www.qscaudio.com](http://www.qscaudio.com).

## **Kontaktaufnahme mit QSC Audio Products**

Postanschrift: QSC Audio Products, Inc.  
1675 MacArthur Boulevard  
Costa Mesa, CA 92626-1468 USA

Telefonnummern:

Zentrale: +1 (714) 754-6175

Verkauf und Marketing +1 (714) 957-7100 oder gebührenfrei (nur in den USA) +1 (800) 854-4079

Kundendienst +1 (714) 957-7150 oder gebührenfrei (nur in den USA) +1 (800) 772-2834

Fax-Nummern:

Verkauf und Marketing (Fax) +1 (714) 754-6174

Kundendienst (Fax) +1 (714) 754-6173

Internet: [www.qscaudio.com](http://www.qscaudio.com)

E-Mail: [info@qscaudio.com](mailto:info@qscaudio.com)

[service@qscaudio.com](mailto:service@qscaudio.com)





1675 MacArthur Blvd., Costa Mesa, CA, 92626 USA  
Zentrale +1 (714) 754-6175 Verkauf und Marketing +1 (714) 957-7100  
oder gebührenfrei (nur in den USA) +1 (800) 854-4079  
Kundendienst +1 (714) 957-7150 oder gebührenfrei (nur in den USA) +1 (800) 772-2834

## Kinolautsprecheranlagen - Benutzerhandbuch

# Niederfrequenzlautsprecher LF-3215

### Einführung

Das Gehäuse des LF-3215-Lautsprechers mit zwei 15-Zoll- (381-mm-) Niederfrequenzwandlern wurde speziell für Kinoanwendungen konstruiert. Da diese Anlage mit ihrem erweiterten Niederfrequenzgang die Voraussetzungen für Kinoanwendungen erfüllt, unterscheidet sie sich von konventionellen „Rock-and-Roll“-Tieftonlautsprechern. Je nach den Anforderungen der Hochfrequenzanlage deckt das Modell LF-3215 den Frequenzbereich zwischen 32 und 1500 Hz ab. Durch die eng nebeneinander angeordneten Tieftonlautsprecher bietet der LF-3215 im Vergleich zu Anordnungen mit größeren Abständen eine optimierte Kopplung und einen größeren Abstrahlwinkel bei größeren Frequenzbereichen.

Die 15-Zoll-Wandler mit 300 W sind für Kinoanwendungen besonders gut geeignet. Sie umfassen 3-Zoll- (76-mm-) Schwingspulen, 3,4-kg-Keramikmagneten und belüftete Polstücke, wodurch ein kühler Betrieb sichergestellt wird. Kühlere Temperaturen verlängern die Lebensdauer der Wandler und reduzieren das Problem der Leistungskomprimierung bei hohen Leistungspegeln. Aufhängung und Schwingspule jedes Wandlers wurden so konstruiert, dass sie bei hoher Ausgangsleistung nur eine geringe Verzerrung zulassen und einen druckvollen Bass ermöglichen.

Das Gehäuse besteht aus hochwertigen Pressspanplatten mittlerer Dichte mit Versteifungen an allen Platten und aus separaten Tieftonlautsprecherplatten. Im seltenen Fall eines Wandlerausfalls wird hierdurch eine übermäßige Auslenkung des Wandlers aufgrund einer unsachgemäßen Belastung der Box verhindert. Die acht Versteifungen bewirken eine Reduzierung der Plattenresonanz.

Sowohl die internen als auch die externen Öffnungen sind mit Vollradius versehen, damit sie bei hoher Leistung eine gleichmäßige Luftströmung gewährleisten. Auf diese Weise werden hörbare Luftgeräusche an der Öffnung vermieden.

Die Bass-Öffnungen sind auf jeder Seite der Wandler in gleichmäßigem Abstand angeordnet. Diese symmetrische Belastung der Öffnungen (Symmetrical Port Loading) bewirkt einen Ausgleich des Innendrucks an der Wandler-Rückseite. Dadurch wird eine seitliche Auslenkung der Membran durch asymmetrische Kräfte verhindert und eine mögliche Abweichung der Schwingspule aus ihrer Mittelstellung im Luftspalt bei hohen Ausgangspegeln reduziert.

Die Montage der Hochfrequenz-Anlage HF-63 bzw. des oberen Mittenfrequenz-Systems MH-1063 von QSC wird durch drei T-Muttern oben im Gehäuse erleichtert.



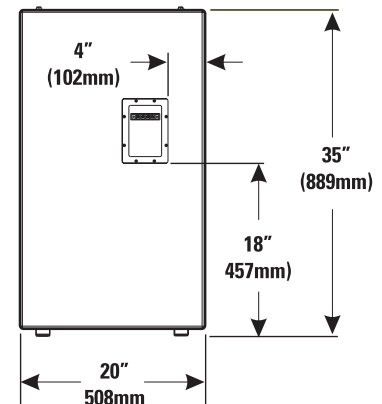
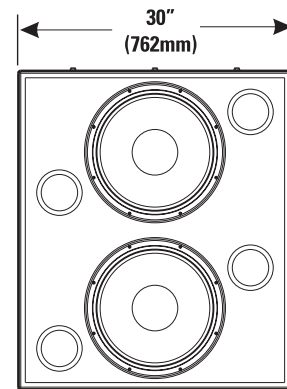
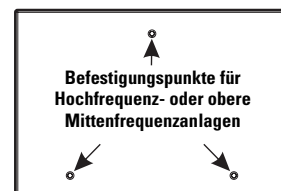
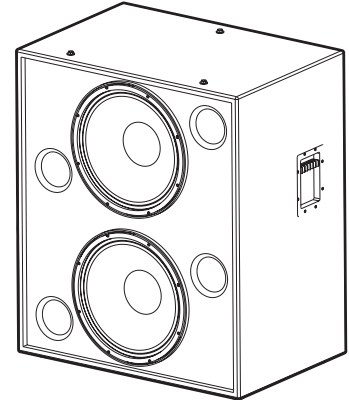
**Das Gehäuse ist nicht für Hänge-, Flug- oder Abspannanwendungen vorgesehen. Dieses Gehäuse darf weder aufgehängt noch in Flug- oder Abspannanwendungen eingesetzt werden.**

**Dieses Produkt kann Schalldruckpegel erzeugen, die permanenten Gehörschaden verursachen können. Den Schalldruckpegel stets auf einen Pegel im Hörbereich einstellen, der keinen Gehörschaden verursacht.**

**Die Installation von einem lizenzierten Fachtechniker gemäß der Anleitung von QSC Audio Products vornehmen lassen. Nur von QSC Audio Products, Inc. spezifizierte Befestigungskomponenten, Montagezubehör oder Halterungen verwenden. Wartungsarbeiten nur von qualifiziertem Personal ausführen lassen. Wartungsmaßnahmen sind erforderlich, wenn das Produkt auf irgendeine Weise beschädigt wurde.**



**ACHTUNG! Inspizieren Sie vor dem Aufstellen, Installieren, Verdrahten oder Aufhängen von Lautsprecherprodukten alle Befestigungsteile, Aufhängungen, Gehäuse, Wandler, Halterungen und damit in Verbindung stehende Vorrichtungen auf eventuelle Schäden. Fehlende, korrodierte, verformte oder nicht belastbare Komponenten könnten die Stabilität der Installation, der Aufstellung oder der Gerätekombination deutlich reduzieren. Jeder Zustand dieser Art bewirkt eine erhebliche Verringerung der Sicherheit der Installation und sollte umgehend behoben werden. Verwenden Sie ausschließlich Befestigungsteile, die für die Belastungsbedingungen der Installation zugelassen und für jede potenzielle, unerwartete, kurzfristige Überlastung ausgelegt sind. Die Nennleistung der Befestigungsteile bzw. Ausrüstung darf keinesfalls überschritten werden. In Zweifelsfällen oder bei Fragen zur Installation eines Geräts sollten Sie einen qualifizierten Techniker hinzuziehen.**



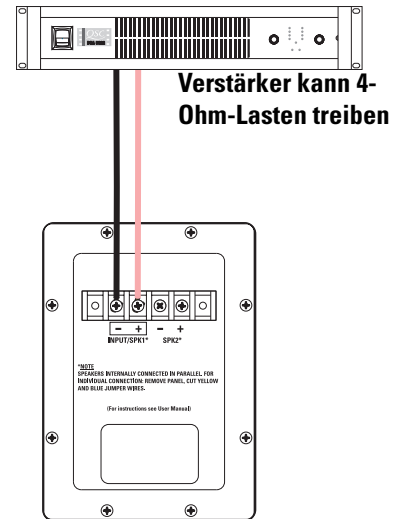


## Verbindungen

### Normaler Anschluss

Das Modell LF-3215 wird über Barrier-Strip-Schraubklemmen angeschlossen. Die Klemmen können Lautsprecher-Litzendraht bis zu einer Stärke von 10 AWG (5,3 mm<sup>2</sup>) aufnehmen. Stets den größtmöglichen Leiterquerschnitt und die kürzeste Leiterlänge für die jeweilige Anwendung verwenden. Die Polaritätsmarkierungen beachten und zur Erzielung optimaler Leistung auf eine gleich bleibende Polarität in der gesamten Anlage achten.

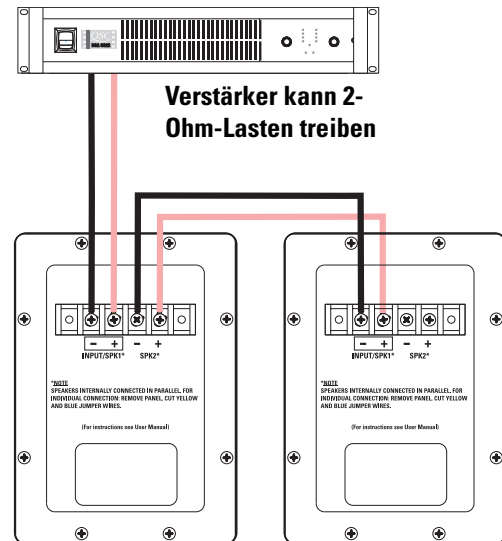
### Beispiel eines normalen Anschlusses:



### Paralleler Anschluss des zweiten LF-3215

Ein weiterer LF-3215 kann über die mit der Bezeichnung SPK2 gekennzeichnete Klemme parallel angeschlossen werden. Die Drähte wie in der rechten Abbildung dargestellt anschließen. Hinweis: Wenn die interne Verdrahtung des LF-3215 auf irgendeine Weise modifiziert wurde, ist dieser Anschluss möglicherweise nicht funktionsfähig. In diesem Fall muss die Klemmenbuchse entfernt und geprüft werden, ob der werkseitig installierte gelbe und blaue Überbrückungsdraht vorhanden sind. Nach Bedarf Abhilfe schaffen oder den Lautsprecher reparieren lassen.

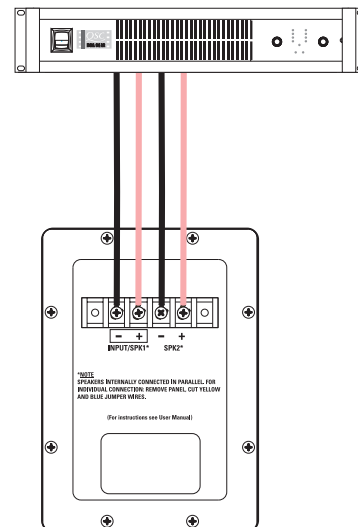
### Beispiel eines parallelen Anschlusses:



### Anschluss einzelner Wandler (Modifizierung erforderlich)

Die Wandler sind im Gehäuse parallel verdrahtet. Wenn die Wandler separat angeschlossen werden müssen, die Klemmenbuchse entfernen und den zwischen den Klemmen SPK1 und SPK2 angeschlossenen gelben und blauen Überbrückungsdraht entfernen. Die Klemmenbuchse wieder anbringen und die Modifikation auf dem Gehäuse notieren.

### Einzelner Wandler, Anschlussbeispiel:

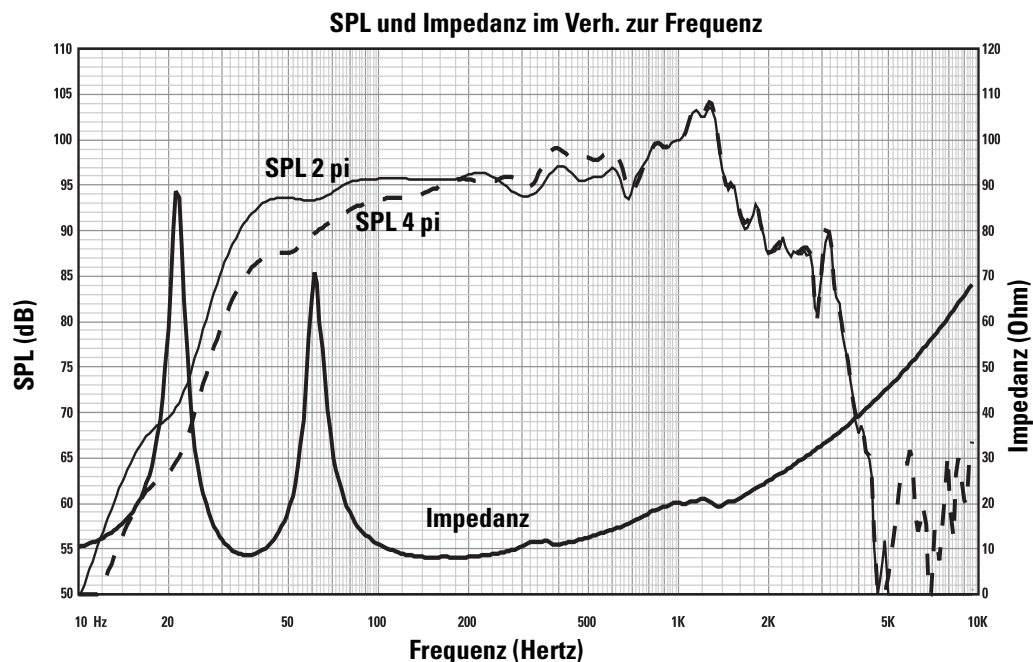


**VORSICHT! Setzt den Ausbau der Klemmenbuchse und das Entfernen des gelben und blauen Überbrückungsdrahts voraus, die die Klemmen SPK1 und SPK2 verbinden.**



## **LF-3215 - Technische Daten (können jederzeit ohne vorherige Mitteilung geändert werden)**

<b>Frequenzbereich:</b>	32 Hz - 1500 Hz (-6 dB) Nutzbereich 28 - 3300 Hz (-10 dB)
<b>Nominelle Abstrahlung:</b>	100° horizontal x 55° vertikal bei 600 Hz
<b>Maximaler Ausgang:</b>	132,5 dB berechneter Spitzen-SPL, 1 m, Halbraum bei effektiver Nennleistung mit Rosa-Rauschen-Eingang-Crestfaktor von 6 dB, 25 - 250 Hz; 126,5 dBA berechneter kontinuierlicher Maximal-SPL, 1 m Schallquellen, die permanenten Gehörschaden verursachen können, werden in der Regel mithilfe der dBA-Skala identifiziert.
<b>Impedanz:</b>	4 Ohm (nominell) 4,1 Ohm min., 180 Hz 55 Ohm max., 21 Hz
<b>Maximale Eingangsleistung:</b>	600 W eff. (8 Stunden bei Rosa-Rauschen mit einem Crestfaktor von 6 dB, 40 - 400 Hz) 750 W eff. (2 Stunden bei Rosa-Rauschen mit einem Crestfaktor von 6 dB, 40 - 400 Hz) Empfohlene Verstärkerleistung: max. 1.200 W eff. über 4 Ohm (je LF-3215)
<b>Empfindlichkeit:</b>	98,5 dB Halbraum, 97,5 dB Vollraum, 35 - 1000 Hz, 1 W, 1 m
<b>Empfohlene Verarbeitung:</b>	Untertonfrequenzfilter unter 30 Hz, >18 dB je Oktave, empfohlene maximale Crossover-Frequenz: 1000 Hz QSC DSP-Konfigurationen können im Internet unter <a href="http://www.qscaudio.com">www.qscaudio.com</a> eingesehen werden. Parameter für alternative Verarbeitungshardware sind auf Anfrage erhältlich.
<b>Anschlüsse:</b>	Barrier-Strip-Schraubklemmen für Litzendraht-Querschnitt bis zu 10 AWG (5,2 mm <sup>2</sup> ). 4 Klemmen: 2 Eingangsklemmen (INPUT) und 2 parallele Ausgangsklemmen (PARALLEL OUT). Wandler sind intern parallel verdrahtet. Für separate Wandleranschlüsse müssen der blaue und der gelbe Überbrückungsdraht an der Innenseite der Klemmenbuchse entfernt werden. Das Gehäuse entsprechend markieren.
<b>Wandler:</b>	Zwei 15-Zoll- (381-mm-) Hochleistungs-Niederfrequenzwandler mit belüfteten 3-Zoll- (100-mm-) Kupfer-Schwingspulen auf Kapton® Schablonen. Für hohe Auslenkung/geringe Verzerrung, äußerst hohe Belastbarkeit und geringe Wärmekomprimierung und Port Compression.
<b>Gehäuse:</b>	Quasi-B4-Ausrichtung, Vollradius-Öffnungen, geringe Luftgeräusche durch symmetrische Öffnungsanordnung, auf 36 Hz abgestimmt, aus Pressspanplatten mittlerer Dichte gefertigt und stabil verstrebt. Vandalismussichere Tieftonlautsprecher-Montagebolzen.
<b>Größe:</b>	762 mm breit x 889 mm hoch x 508 mm tief
<b>Gewicht:</b>	Versandgewicht 88 kg, Nettogewicht 78 kg



## **Garantie (nur für die USA; wenden Sie sich zwecks Garantieinformationen für andere Länder an Ihren Händler oder Distributor)**

### **Haftungsausschluss**

QSC Audio Products, Inc. ist nicht für Schäden an Verstärkern oder anderen Geräten haftbar, die durch Fahrlässigkeit oder eine unsachgemäße Installation und/oder Verwendung dieses Lautsprecherprodukts verursacht werden.

### **Beschränkte Dreijahresgarantie durch QSC Audio Products**

QSC Audio Products, Inc. („QSC“) gewährleistet, dass seine Produkte für einen Zeitraum von drei (3) Jahren ab dem Kaufdatum keine Material- und/oder Ausführungsfehler aufweisen werden, und QSC verpflichtet sich zum Ersatz defekter Teile und zur Reparatur funktionsgestörter Produkte gemäß dieser Garantie, wenn dieser Fehler bei einer normalen Installation und unter normalen Gebrauchsbedingungen auftritt – vorausgesetzt, dass das Gerät unter Vorauszahlung der Transportkosten und zusammen mit einer Kopie des Kaufnachweises (z.B. der Kaufquittung) an unser Werk zurückgeschickt oder an eine unserer autorisierten Kundendienststellen eingeschickt wird. Diese Garantie setzt voraus, dass die Prüfung des zurückgeschickten Produkts in unserem Ermessen einen Herstellungsdefekt zu erkennen gibt. Diese Garantie erstreckt sich auf keine Produkte, die einer unsachgemäßen oder fahrlässigen Behandlung, Unfällen oder einer unvorschriftsmäßigen Installation unterlagen, oder deren Datumscode entfernt oder unkenntlich gemacht wurde. QSC ist für keine Neben- und/oder Folgeschäden haftbar. Diese Garantie gewährt Ihnen bestimmte Rechte. Diese beschränkte Garantie ist während der Garantiezeit frei übertragbar.

Manche Kunden können je nach Rechtsprechung zusätzliche und andere Rechte besitzen.

Falls dieses Produkt zum Export und Verkauf außerhalb der Vereinigten Staaten oder deren Hoheitsgebieten hergestellt wurde, besitzt diese eingeschränkte Garantie keine Gültigkeit. Die Entfernung der Seriennummer auf diesem Produkt oder der Kauf dieses Produkts von einem nicht autorisierten Händler macht diese beschränkte Garantie unwirksam. Diese Garantie wird gelegentlich aktualisiert. Die jeweils aktuellste Version der Garantieerklärung von QSC finden Sie im Internet unter [www.qscaudio.com](http://www.qscaudio.com). Sie erreichen uns telefonisch unter +1 800-854-4079 (gebührenfrei in den USA und Kanada) oder im Internet unter [www.qscaudio.com](http://www.qscaudio.com).

## **Kontaktaufnahme mit QSC Audio Products**

Postanschrift: QSC Audio Products, Inc.  
1675 MacArthur Boulevard  
Costa Mesa, CA 92626-1468 USA

Telefonnummern:

Zentrale: +1 (714) 754-6175

Verkauf und Marketing +1 (714) 957-7100 oder gebührenfrei (nur in den USA) +1 (800) 854-4079

Kundendienst +1 (714) 957-7150 oder gebührenfrei (nur in den USA) +1 (800) 772-2834

Fax-Nummern:

Verkauf und Marketing (Fax) +1 (714) 754-6174

Kundendienst (Fax) +1 (714) 754-6173

Internet:[www.qscaudio.com](http://www.qscaudio.com)

E-Mail:[info@qscaudio.com](mailto:info@qscaudio.com)

[service@qscaudio.com](mailto:service@qscaudio.com)



QSC Audio Products, Inc. 1675 MacArthur Boulevard Costa Mesa, California 92626 USA

©2004 „QSC“ und das QSC-Logo sind beim US-Patent- und Markenamt angemeldet.

Kapton® ist eine eingetragene Marke von E.I. du Pont de Nemours and Company.



1675 MacArthur Blvd., Costa Mesa, CA 92626

主要号码 (714) 754-6175 销售和市场部门 (714) 957-7100 或免费电话 (仅限美国)

(800) 854-4079 客服 (714) 957-7150 或免费电话 (仅限美国) (800) 772-2834

## 影院扬声器系统用户手册

# HF-63 高频组件

### 简介

HF-63 是双向、双放大屏幕的通道放大器的高频组件，该放大器用于高效能的影院。设计为可配合并直接安装在 QSC 的 LF-3115 或 LF-3215 影院低音扩音器。

HF-63 高频系统具有一个大型格式化的，2.5" (63.5 毫米) 钛隔膜压缩驱动器，安装在定制设计的高频影院喇叭上，带有一个可调式面板和盖板支架。喇叭的特色是具有宽水平和垂直覆盖角，确保覆盖大厅的每个座位。喇叭为低失真波导，提供高清晰的对话，但是没有传统喇叭扬声器的本色。

HF-63 包括一个驱动器保护和平衡网络，确保可靠的运转。直流阻塞电容器防止直流或低频信号可能破坏没有防护的驱动器。功率限制器电路防止驱动器功率过大，同时回应修正过滤器平滑喇叭 / 驱动器混合的频率响应。但由于回应修正过滤器不是分频器，需要进行外部处理。

HF-63 组件为预组装式，减少现场组装的时间。三个螺栓足够安全地将 HF-63 安装到 QSC 低频机罩的顶部。

### 装配

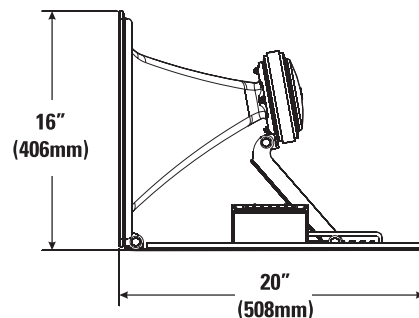
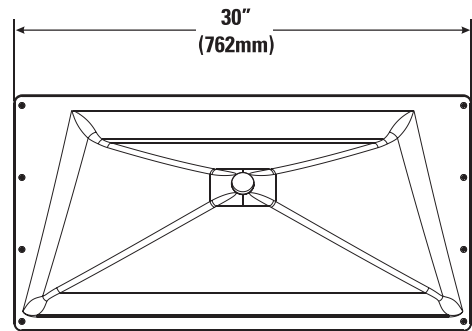
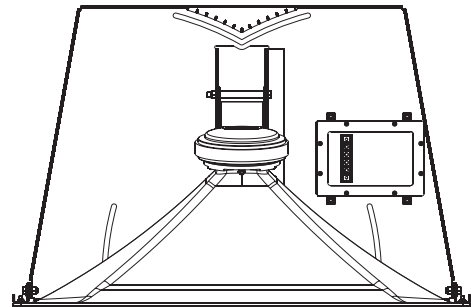
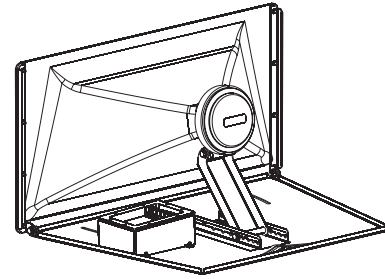
参考插图获得安装信息。HF-63 利用 3 个 0.75" 长、带锁住垫圈的 5/16-18 螺丝连接到 LF-3115 或 LF-3215 的顶部。此硬件船安装在低频箱上。安装螺栓时为了防止因振动而产生的松动，我们推荐使用可更换的螺纹防松组件。紧固前瞄准水平面上 (面板) 的喇叭。通过支架调整来调整垂直盖板。



按照 QSC Audio Product 的说明并在授权的专业工程师的指导下安装。仅限使用 QSC Audio Product 公司规定的附件、底座、零件或支架。所有维护请由合格的专业人士进行。设备如果受到损坏，就需要进行维修。



警告！放置、安装、装配、或悬挂扬声器产品时，检查所有硬件、悬架、搁柜、变频器、支架和相关设备有无损坏。任何额定部件的缺失、腐蚀、变形或未装载都可能大大降低安装、放置或排列的强度。出现任何严重降低安装安全度的情况应立即更正。仅限使用额定安装的硬件及任何可能的短期突发超载。切勿超过硬件或设备的额定标准。如有任何关于物理设备安装的疑问或问题，请咨询获得许可的专业工程师。



## 连接

### HF 输入终端

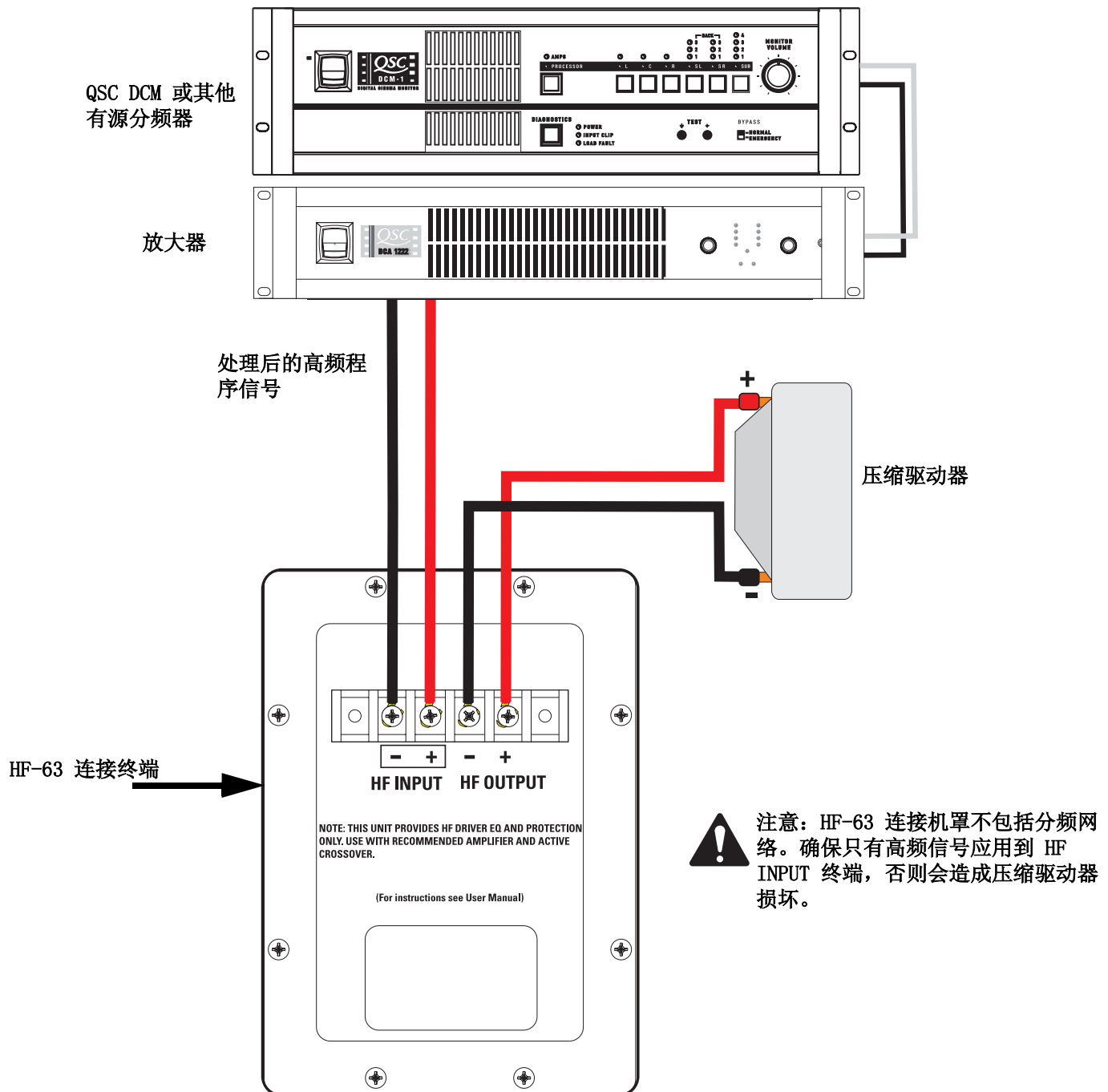
HF-63 具有阻挡带螺旋式终端，可接受高达 #10AWG (5.3mm<sup>2</sup>) 的绞合式扬声器布线。将放大器的高频输出信号连接到扬声器的 HF INPUT 终端。观察正确的极性；放大器 + 信号到扬声器 + HF INPUT，放大器 - 信号到扬声器 - HF INPUT。使用最大导线尺寸和最短长度。



注意！整个系统保持正确的扬声器连接极性，以便获得最佳性能。勿对 HF-63 应用全范围信号！HF-63 中没有分频器，只有一个平衡和保护网络。在信号应用到 HF-63 之前，所有完成所有必需的信号处理。

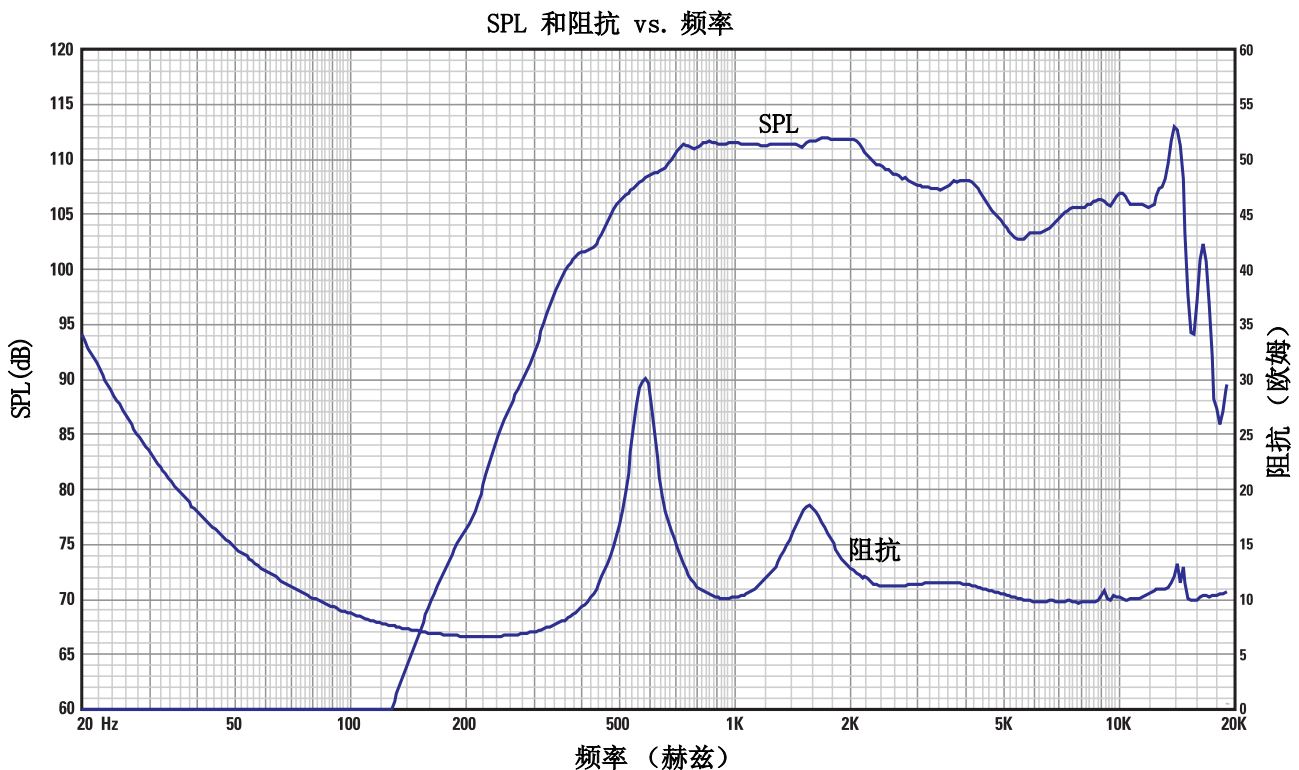
### HF 输出终端

HF OUTPUT 终端在出厂时已经连至压缩驱动器。这些终端应仅连到 HF-63 的压缩驱动器。



## HF-63 产品规格 (如有改变恕不另行通告)

频率范围:	400 - 16k Hz (-6 dB, 全间距)
标称覆盖范围:	90° 水平 X+15 到 -35° 垂直 (总计 50°, 可调式安装提供垂直平面调整。紧固螺丝前, 通过改变低频机罩上的安装位置可以调整水平平面。
DI:	9.0 dB (平均 600 到 16,000 赫兹)
Q:	8.0 (平均 600 到 16,000 赫兹)
最大输出:	131.5 dB SPL 计算峰值, 1 米, 半间距。
阻抗:	8 欧姆标称 最小 9.0 欧姆, 8,000 赫兹 最大 30 欧姆, 475 赫兹
最大输入功率:	50 瓦 rms (6dB 振幅因子粉红噪音的 8 小时, 1,000 - 10,000 赫兹) 60 瓦 rms (6dB 振幅因子粉红噪音的 2 小时, 1,000 - 10,000 赫兹, AES 方式)
灵敏度:	107.5 dB 半间距, 1 瓦, 1 米
分频频率:	1,000 赫兹或更高, 每八分音度 24 dB
连接器:	阻挡带螺旋式终端接受高达 #10 AWG 绞合式布线。四个终端 (两个高频输入和两个后补偿高频输出)。高频输出工厂连接到压缩驱动器。
变频器:	1.5" (38mm) 出口, 2.5" (63.5mm) 钛隔膜压缩驱动器。
安装硬件:	使用 5/16" -18 x 3/4" 长螺栓连接到低频箱顶部。
尺寸:	30" (宽) X 16" (高) X 20" (深) (762mm X 406mm X 508mm)
重:	50 磅 (运输), 40 磅。(净重), 22.7/18.4 公斤



## 保修（仅限美国；其它国家，请联系您的经销商或分销商）

### 声明

QSC Audio Products, Inc. 不承担因疏忽、或不当安装和 / 或不当使用本放大器产品而对扬声器或任何其它设备造成损坏的任何责任。

### QSC Audio Products 3 年有限质保协议。

QSC Audio Products, Inc. (QSC) 担保其产品自销售日起三年内不会发生材料或制造工艺缺陷，若在正常安装和使用条件下发生的损坏，QSC 将按照本质保协议更换有缺陷的零件和维修故障产品 - 但您要将本产品送回我们的工厂或任一授权维修点，预付运送费用并附带一份购买证明即销售收据影印本。此质保协议规定，退回的产品检查必须标明经我们判断的制造缺陷。本质保不适用于任何因误用、疏忽、意外事故、不正确地安装，或日期编码被去掉或破损的产品。QSC 不对意外和 / 或间接发生的损害承担责任。此质保赋予您特定的法律权力。此有限质保在保证期内可自由转让。

在不同的州，顾客可能会有额外的权利。

此质保协议不适用于为出口或不在美国销售而生产的产品。产品上缺少序列号，或者从非授权销售商处购买此产品，将失去此有限质保协议。此质保协议定期更新。请浏览：[www.qscaudio.com](http://www.qscaudio.com)，获得最新版本的 QSC 质保协议声明，联系我们：800-854-4079，或访问我们的网站：[www.qscaudio.com](http://www.qscaudio.com)。

## 联系 QSC Audio Products

通信地址 :QSC Audio Products, Inc.  
1675 MacArthur Boulevard  
Costa Mesa, California 92626-1468 USA

### 电话:

主要号码 (714) 754-6175

销售和市场部门 (714) 957-7100 或免费电话 (仅限美国) (800) 854-4079

客服 (714) 957-7150 或免费电话 (仅限美国) (800) 772-2834

### 传真:

销售与市场部门传真 (714) 754-6174

客服传真 (714) 754-6173

网址 [www.qscaudio.com](http://www.qscaudio.com)

E-mail:[info@qscaudio.com](mailto:info@qscaudio.com)

[service@qscaudio.com](mailto:service@qscaudio.com)



QSC Audio Products, Inc. 1675 MacArthur Boulevard Costa Mesa, California 2626 USA

©2004 “QSC” 以及 QSC 的标志在美国专利和商标管理局注册。





1675 MacArthur Blvd., Costa Mesa, CA 92626  
 主要号码 (714) 754-6175 销售和市场部门 (714) 957-7100 或免费电话 (仅限美国)  
 (800) 854-4079 客服 (714) 957-7150 或免费电话 (仅限美国) (800) 772-2834

## 影院扬声器系统用户手册

# LF-3215 低频扬声器

### 简介

LF-3215 双 15” (381 毫米) 的低频机壳专为影院应用设计。LF-3215 和传统“摇滚”低音系统的不同之处在于它可以满足影院对扩展低频响应的要求。根据高频系统的要求, LF-3215 可覆盖 32 赫兹到 1500 赫兹的频率范围。由于低音扬声器之间间距小, 因此和大间距设计相比, LF-3215 具有耦合好, 较大频率范围覆盖角度宽的特点。

300 瓦, 15” 变频器非常适合影院使用。它们采用 3” (76mm) 音圈, 120 oz. (3.4kg) 陶瓷磁铁和通风极片 (确保低温运行)。温度低可以增加变频器的寿命, 并且减少高功率下的功率压缩问题。每个变频器的支架和音圈可保证在高功率下的低失真和高重低音。

机罩由优质中等密度纤维板制成, 所有面板都有加强支架支持, 有独立的低音室。在非常罕见的情况下如果变频器出现故障, 可以防止不当盒负荷造成的变频器振幅过大。八个加强支架减少面板回响。

内部和外部端口开口都经过全辐射处理, 确保气流在较高功率下可以平稳通过端口。这可以防止声音端口噪音紊乱。

由于对称端口负荷 (SPL), 低音端口均匀地分布在变频器两侧, 使通过变频器背表面的内部压力更加一致。这样就防止了圆锥由于力量失衡而被错误地放置在一边或另一边, 从而减少了高功率下将音圈赶出空隙中心的情况。

机罩上部的 3 个 T 形螺母使得安装 QSC HF-63 高频系统或 MH-1063 中高频系统更加容易。



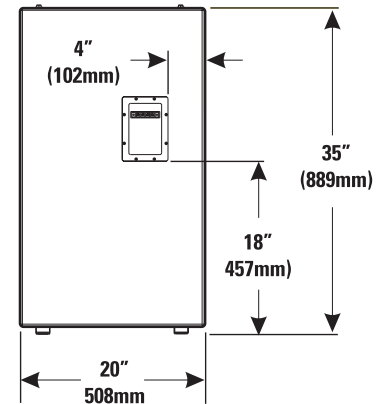
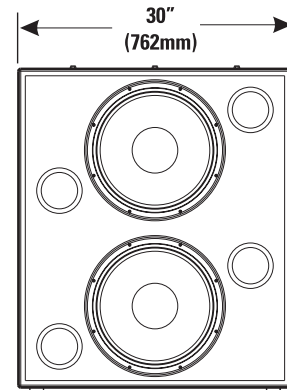
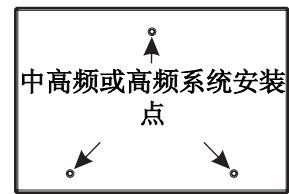
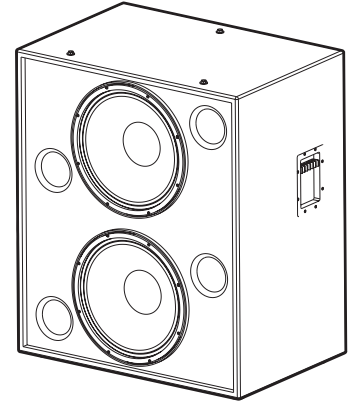
**机罩并没有设计成悬挂式、可操纵式、或装配式。请勿对此机罩进行悬挂、操纵或装配。**

此产品可产生对人类听觉造成永久损伤的声压强度。请将听音区域内的声压强度总是保持在不会对人的听力造成损伤的水平。

按照 QSC Audio Product 的说明并在授权的专业工程师的指导下安装。仅限使用 QSC Audio Product 公司规定的附件、底座、零件或支架。所有维护请由合格的专业人士进行。设备如果受到损坏, 就需要进行维修。



**警告! 放置、安装、装配或悬挂扬声器产品时, 检查所有硬件、悬架、搁柜、变频器、支架和相关设备有无损坏。任何额定部件的缺失、腐蚀、变形或未装载都可能大大降低安装、放置或排列的强度。出现任何严重降低安装安全度的情况应立即更正。仅限使用额定安装的硬件及任何可能的短期突发超载。切勿超过硬件或设备的额定标准。如有任何关于物理设备安装的疑问或问题, 请咨询获得许可的专业工程师。**

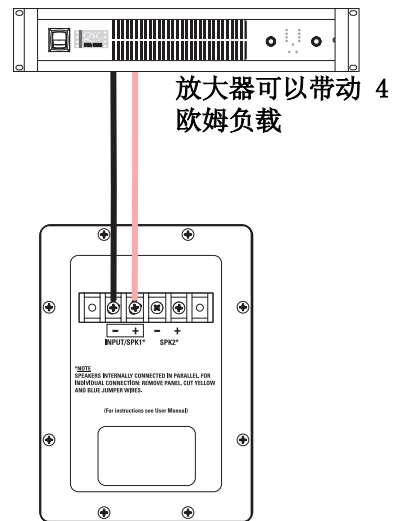


## 连接

### 正常连接

LF-3215 具有用于连接的阻挡带螺旋式终端。此终端接受高达 #10 AWG (5.3mm<sup>2</sup>) 的绞合式扬声器电线。使用最大导线尺寸和最短长度。观察极性标志，确保整个系统极性一致，以便获得最佳表现。

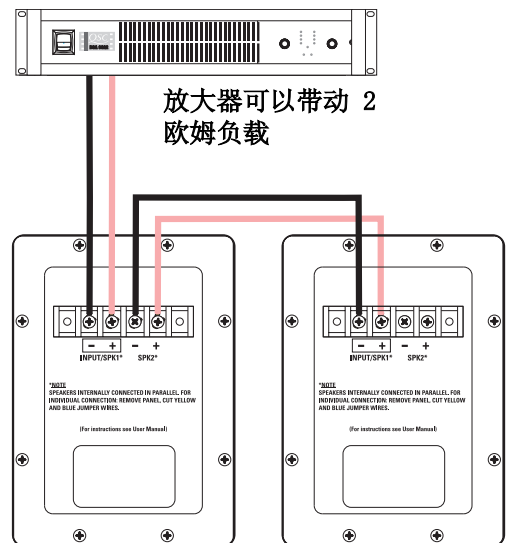
### 正常连接样例



### 第二个 LF-3215 并联连接

终端标志 SPK2 可用于并联另一个 LF-3215。按照右图所示连接线路。注意：如果 LF-3215 的内部连线经过任何修改，便不会起作用。如果情况如此，拿掉终端杯，然后验证有无工厂黄色跳线电线和蓝色跳线电线；按要求修改或者对此扬声器进行维修。

### 并联样例



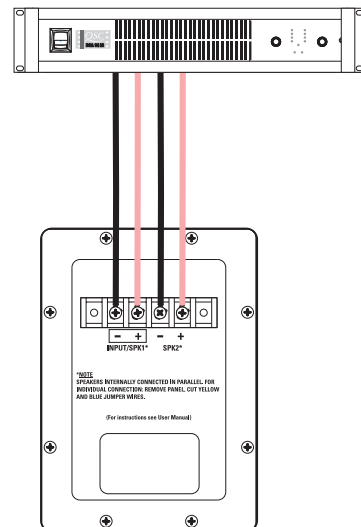
### 单个变频器连接（需要修改）

变频器在机罩内并行连线。如果要求单个变频器连接，拿掉终端杯，然后拿掉连接在 SPK1 和 SPK2 终端间的黄色和蓝色跳线电线。换掉终端杯，然后在机罩上作修改标记。

### 单个变频器连接样例



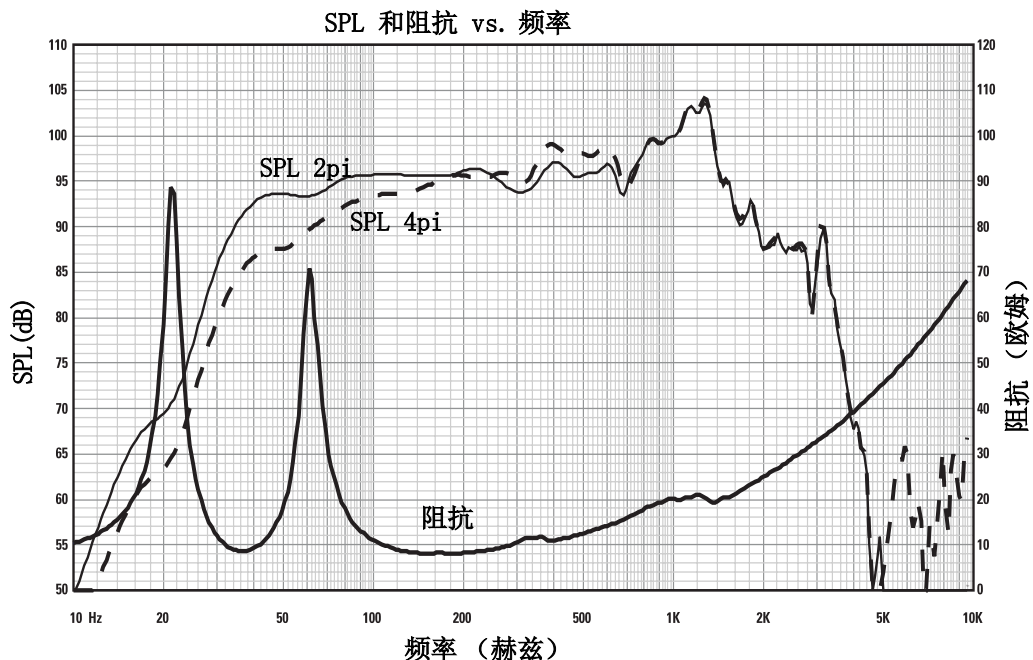
注意：必须拿掉终端杯，切断连接 SPK1 和 SPK2 终端的黄色和蓝色跳线电线。





## LF-3215 产品规格 (如有改变恕不另行通告)

频率范围:	32 - 1500 赫兹 (-6dB) 28 - 3300 赫兹可用范围 (-10dB)
标称覆盖范围:	600 赫兹时 100° 水平 X 55° 垂直
最大输出:	132.5 dB SPL 计算峰值、1 米、半间距、在额定 rms 功率 6dB 振幅因子粉红噪声输入, 25 - 250 赫兹。 126.5 dBA SPL 计算最大连续, 1 米。通常使用 dBA 尺以确定会造成永久听力损失的声源。
阻抗:	标称 4 欧姆 最小 4.1 欧姆, 180 赫兹 最大 55 欧姆, 21 赫兹
最大输入功率:	600 瓦 rms (6dB 振幅因子粉红噪声的 8 小时, 40 - 400 赫兹) 750 瓦 rms (6dB 振幅因子粉红噪声的 2 小时, 40 - 400 赫兹) 推荐放大器功率 - 1200 瓦 rms 最大到 4 欧姆 (每 LF-3215)
灵敏度:	98.5 dB 半间距, 97.5 dB 全间距, 35 - 1000 赫兹, 1 瓦, 1 米
推荐处理:	次音速过滤低于 30 赫兹, 每八度音程大于 18 dB 最大推荐分频频率为 1000 赫兹。从 <a href="http://www.qscaudio.com">www.qscaudio.com</a> 网站可获得 QSC DSP 的配置情况。如有要求即可获得替换处理硬件的参数。
连接器:	阻挡带螺旋式终端接受高达 #10 AWG 绞合式布线。四个终端 (两个输入和两个并行输出)。变频器以并联形式内部连接。独立连接变频器的时候, 拿掉终端杯内部边上的蓝色跳线电线和黄色跳线电线, 然后相应标记机罩。
变频器:	两个 15" (381 毫米) 高效低频变频器通风式 3" (76 毫米) Kapton? 线圈架上的铜音圈。高偏移 / 低失真设计, 带超高功率处理, 以及低温和端口压缩。
机罩:	类似的 B4 对齐, 端口机罩带全喇叭形端口, 低紊乱对称端口设计, 调整为 36 赫兹, 由中密度纤维板和重型支撑构成。具有防破坏低音喇叭安装螺丝的特点。
尺寸:	30" (宽) X 35" (高) X 20" (深) (762 mm X 889 mm X 508 mm)
重量:	195 磅 (运输), 172 磅 (净重) (88/78 公斤)



## 保修（仅限美国；其它国家，请联系您的经销商或分销商）

### 声明

QSC Audio Products, Inc. 不承担因疏忽、或不当安装和 / 或不当使用本放大器产品而对扬声器或任何其它设备造成损坏的任何责任。

### QSC Audio Products 3 年有限质保协议。

QSC Audio Products, Inc. (QSC) 担保其产品自销售日起三年内不会发生材料或制造工艺缺陷，若在正常安装和使用条件下发生的损坏，QSC 将按照本质保协议更换有缺陷的零件和维修故障产品 - 但您要将本产品送回我们的工厂或任一授权维修点，预付运送费用并附带一份购买证明即销售收据影印本。此质保协议规定，退回的产品检查必须标明经我们判断的制造缺陷。本质保不适用于任何因误用、疏忽、意外事故、不正确地安装，或日期编码被去掉或破损的产品。QSC 不对意外和 / 或间接发生的损害承担责任。此质保赋予您特定的法律权力。此有限质保在保证期内可自由转让。

在不同的州，顾客可能会有额外的权利。

此质保协议不适用于为出口或不在美国销售而生产的产品。产品上缺少序列号，或者从非授权销售商处购买此产品，将失去此有限质保协议。此质保协议定期更新。请浏览：[www.qscaudio.com](http://www.qscaudio.com)，获得最新版本的 QSC 质保协议声明，联系我们：800-854-4079，或访问我们的网站：[www.qscaudio.com](http://www.qscaudio.com)。

## 联系 QSC Audio Products

通信地址 :QSC Audio Products, Inc.  
1675 MacArthur Boulevard  
Costa Mesa, California 92626-1468 USA

### 电话:

主要号码 (714) 754-6175

销售和市场部门 (714) 957-7100 或免费电话 (仅限美国) (800) 854-4079

客服 (714) 957-7150 或免费电话 (仅限美国) (800) 772-2834

### 传真:

销售与市场部门传真 (714) 754-6174

客服传真 (714) 754-6173

网址 [www.qscaudio.com](http://www.qscaudio.com)

E-mail:[info@qscaudio.com](mailto:info@qscaudio.com)

[service@qscaudio.com](mailto:service@qscaudio.com)



QSC Audio Products, Inc. 1675 MacArthur Boulevard Costa Mesa, California 92626 USA

©2004 “QSC” 以及 QSC 的标志在美国专利和商标局注册。

Kapton® 为 E. I. du Pont de Nemours and Company 的注册商标。