



## SC-223

Cinema Loudspeaker System

### Features

- 3-way bi-amplified screen channel system
- MH-1060 provides 90° horizontal by +20° to -30° vertical coverage
- LF-2215 is constructed of MDF and is heavily braced
- Low-distortion waveguides provide highly articulate dialogue
- Shallow depth (20") facilitates installation



Developed specifically for the unique requirements of professional motion picture playback, the SC-223 extends QSC's commitment to the cinema market. As a member of the DCS Digital Cinema Speaker Series, the SC-223 is a 3-way, bi-amplified screen channel loudspeaker system comprised of two main units—the MH-1060 mid-high frequency and the LF-2215 low-frequency.

The MH-1060 mid-high system features a high output, horn loaded 10" (254mm) midrange cone driver and 2.4" (60 mm) titanium diaphragm compression driver mounted to an adjustable pan and tilt bracket. The MH-1060 includes a passive crossover for bi-amp operation. The MH-1060 provides extended frequency coverage for the critical midrange band. A high power 10" cone driver allows operation as low as 300 Hz and the advanced phase plug coupling permits a

crossover point of 2200 Hz to the high-frequency horn. This ensures that most of the dialog range is reproduced by a single element, for unmatched intelligibility.

The LF-2215 dual 15" (381 mm) low-frequency enclosure is designed specifically to address the extended low-frequency response required for cinema applications. The LF-2215 covers the frequency range from 35 Hz to 300 Hz. Close Coupled Woofers (CCW), with their tight spacing between woofers, improves coupling.

The SC-223 is designed for ease of installation. The MH-1060 components come pre-assembled to reduce field assembly time. Three bolts are all that are required to secure the MH-1060 to the top of the LF-2215 enclosure.

# SC-223 Details

## Specifications

## SC-223

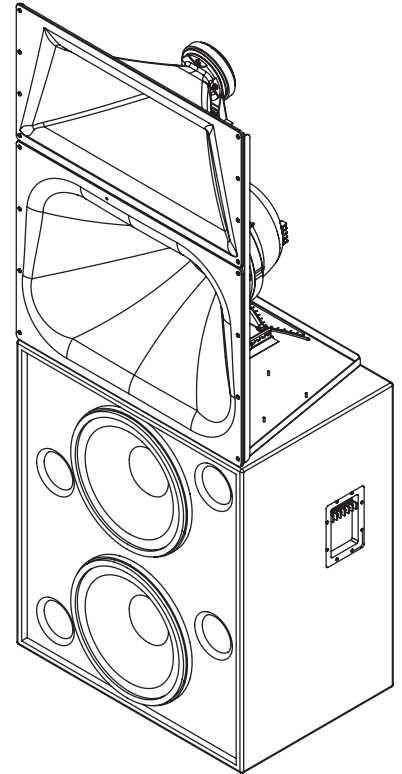
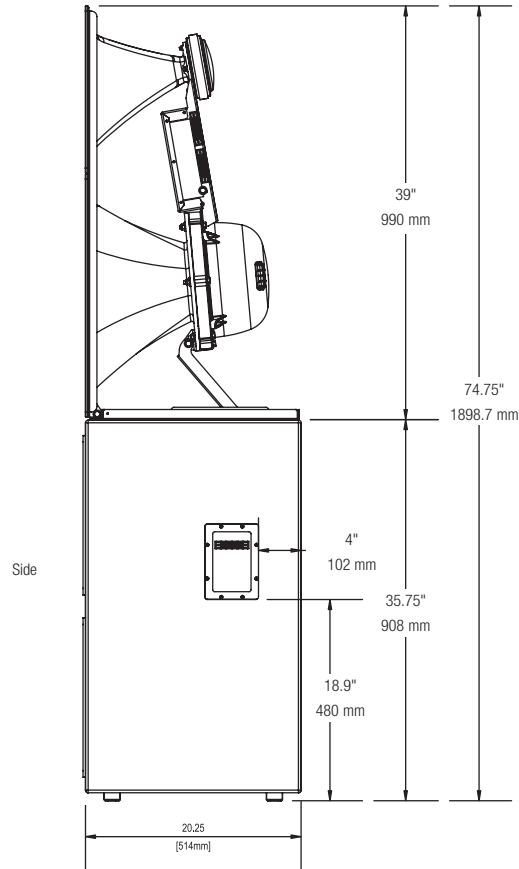
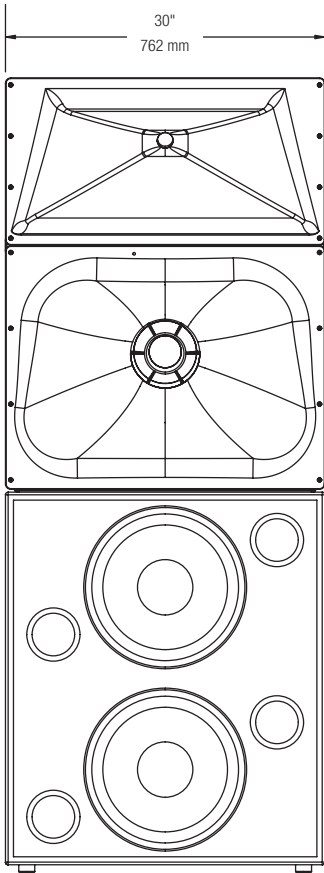
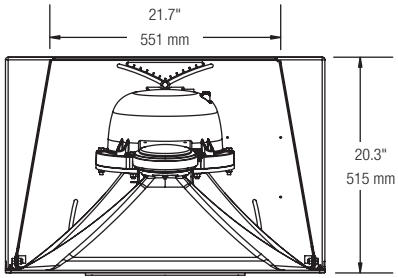
Nominal Coverage	90° horizontal x +20 to -30° vertical	
Frequency Range	37 Hz – 16 kHz (-6 dB)	
Crossover Frequency	300Hz, 24 dB per octave	
	<b>LF-2215</b>	<b>MH-1060</b>
Impedance	4Ω	8Ω
Sensitivity 1 watt/1 meter, half space	98 dB	103.5 dB
Rated Noise Power		
2 hours of 6 dB crest factor pink noise	600 W <sup>1</sup>	200 W <sup>2</sup>
Recommended Amplifier Power	450 W to 1200 W	150 W to 400 W
Recommended Processing	Subsonic filter below 30 Hz, > 18 dB per octave	4th order LR crossover at 300Hz via QSC processor
Connectors	Barrier strip screw terminals accept up to #10 AWG stranded wire	Barrier strip screw terminals accept up to #10 AWG stranded wire
Transducers	Two 15" (381mm) high efficiency, extended bass woofers featuring 3" copper voice coils	10 high efficiency mid range, 1.4" (36mm) exit, 2.4" titanium diaphragm compression driver
Enclosure	Quasi B4 alignment, ported enclosure with fully flared ports, symmetrical port design, tuned to 36 Hz, constructed of MDF and heavily braced. Features vandal resistant woofer mounting bolts	Tilt/Pan Bracket ±10° vertical tilt ±10° horizontal pan
Dimensions (HWD)	35.75" x 30" x 20.3" (908 mm x 762 mm x 516 mm)	39" x 30" x 20" (990 mm x 762 mm x 508 mm)
Weight – Net	172 lb (78 kg)	82 lb (37.2 kg)
System Weight	254 lb (115 kg)	
Baffle Cut-Out	76" x 32"	

1) Maximum input power tested in accordance with IEC 60268-5 recommendations, 30 Hz to 300 kHz band limiting.

2) Maximum input power tested in accordance with IEC 60268-5 recommendations, 300 Hz to 16 kHz band limiting.

Preliminary Specifications subject to change without notice.

# SC-223 Technical Drawing



Specifications subject to change without notice.

# QSC®

1675 MacArthur Boulevard • Costa Mesa, CA 92626 • Ph: +1.800.854.4079 or +1.714.957.7100 • Fax: +1.714.754.6174



please recycle