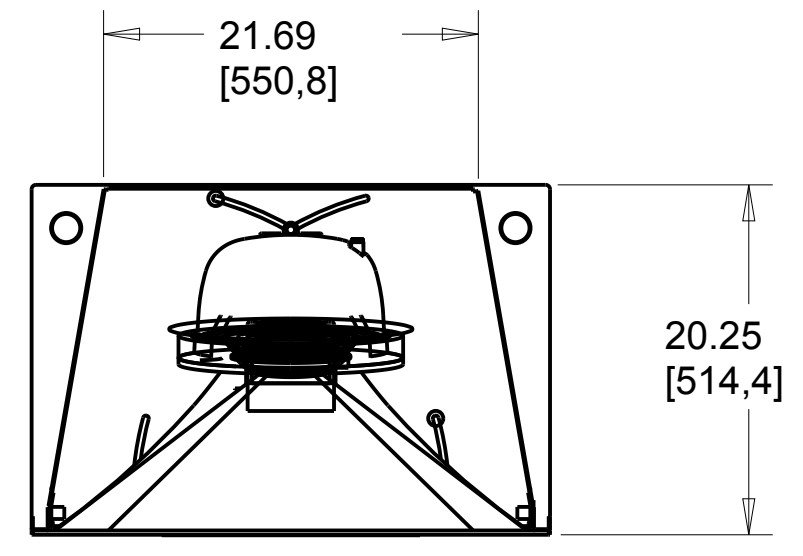
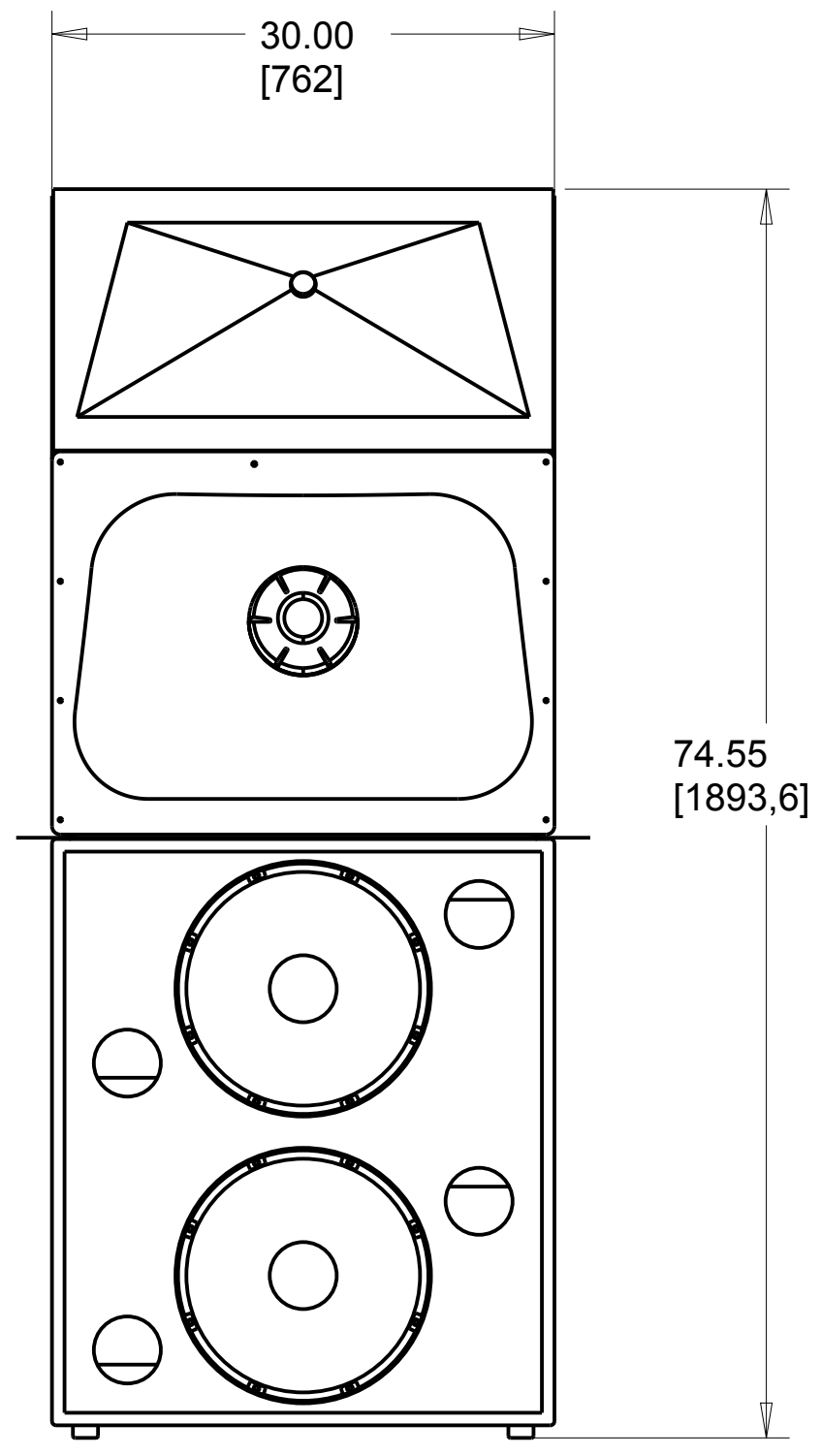


THIS DOCUMENT CONTAINS PROPRIETARY INFORMATION WHICH IS THE PROPERTY OF QSC AUDIO PRODUCTS, THAT MAY NOT BE DISCLOSED, REPRODUCED OR USED WITHOUT EXPRESS WRITTEN CONSENT FROM QSC AUDIO PRODUCTS.

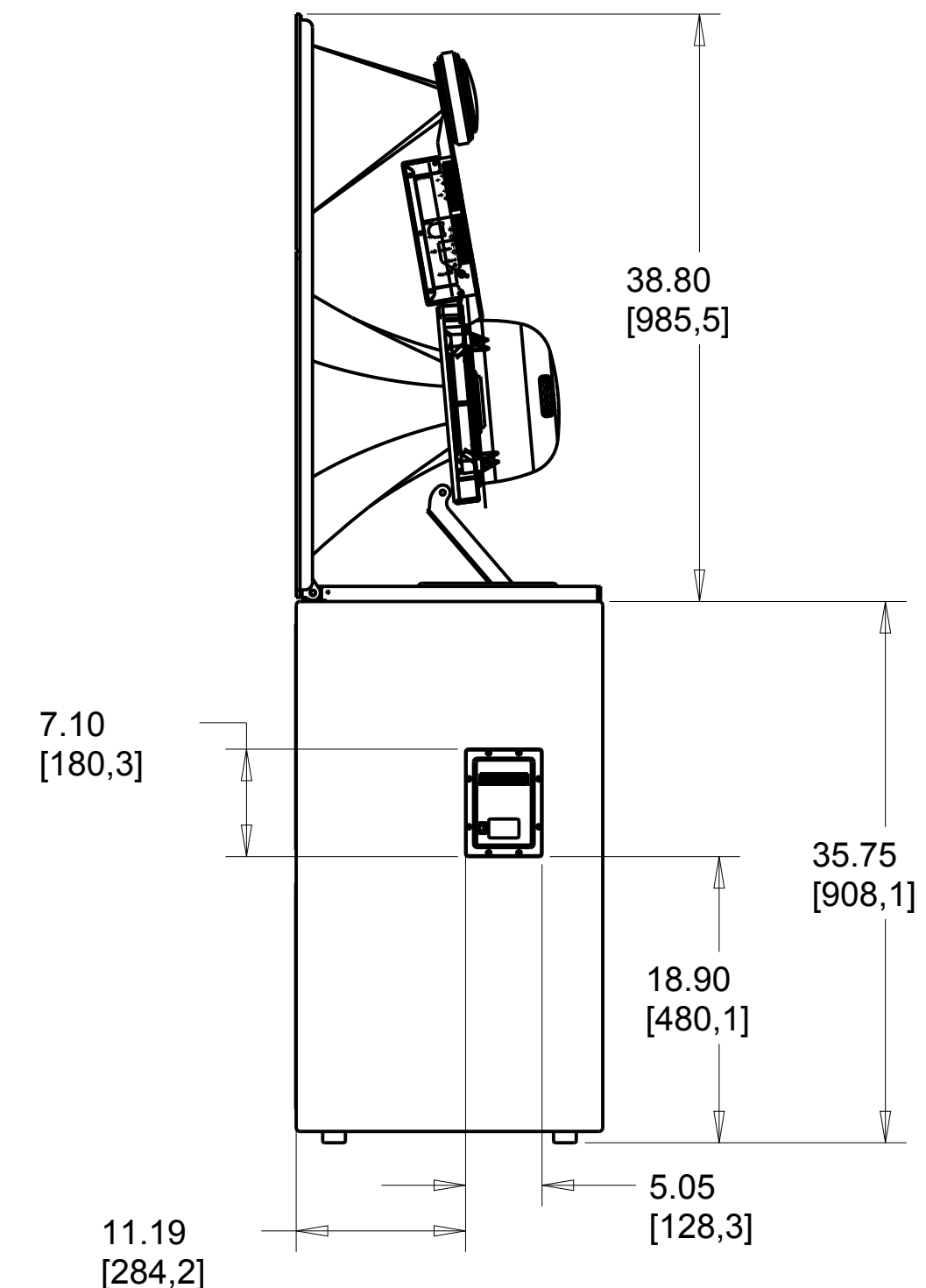
REVISIONS				
REV	DESCRIPTION	EFF DATE	CHK	APPROVED DATE
A	RELEASE PER ECO 7347 JD	8-04-06		B.H.



TOP



FRONT



RIGHT

2. TOLERANCES (INCHES): .XX ± .13, ANGLES: ± 1°.  
 1. NET WEIGHT APPROX. 257 LBS (117 KG).  
 NOTE: UNLESS OTHERWISE SPECIFIED

UNLESS OTHERWISE SPECIFIED DIMENSIONS ARE IN INCHES. TOLERANCES ARE: DECIMALS DECIMALS ANGLES .XX± .02 .XXX± .010 ± 1/2 DEBURR EDGES .010 R MAX	CONTRACT NO.		<b>QSC</b> QSC AUDIO PRODUCTS, INC. 1675 MACARTHUR BOULEVARD COSTA MESA, CA 92626	
	APPROVALS			
	DRAWN		DATE	
	J. DELARM		01-Aug-06	
CHECKED		DATE		
B. HAWKINS		01-Aug-06		
MATERIAL		DATE		
NONE		01-Aug-06		
FINISH		DATE		
NONE		01-Aug-06		
DO NOT SCALE DRAWING		DCS_2X15_3-WAY.		SIZE C CAGE CODE DWG NO. REV C 00PW4 RD-000384-01 1 of 1
		SCALE 0.090		RD-000384-01.. SHEET 1 of 1

DWG NO. RD-000384-01  
 SH 1  
 REV