

## Quick Start Guide

### Installing the Yoke Mount

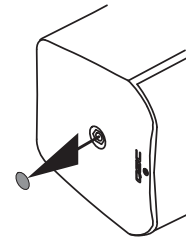


**WARNING!** Consult a structural engineer before mounting the Yoke Mounts to any surface. Be sure the surface can support the weight of the loudspeaker, and that the proper bolts are used to secure the yoke to the surface.

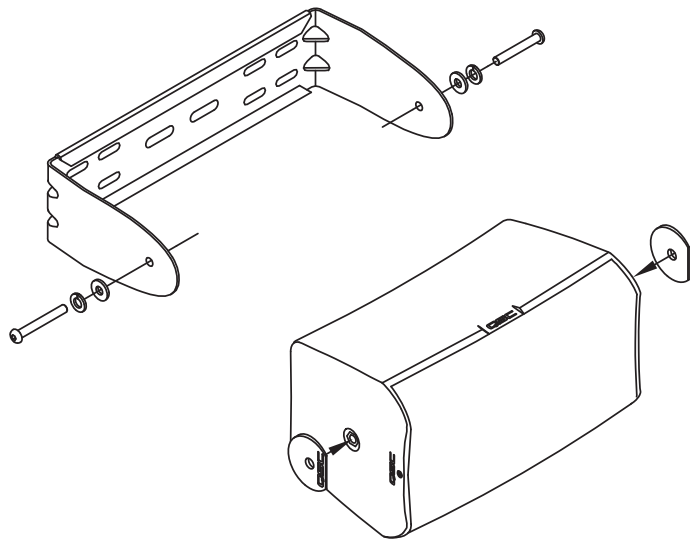
1. Properly secure the yoke mount bracket to the selected surface.
2. Use a small thin object (flat tip screwdriver, etc.) to remove the M10 Integrated Suspension Point adhesive covers. Refer to Figure 1.

Refer to Figure 2.

3. Remove backing from the mounting pads, and place them over the M10 screw holes, flat edge towards the front of the loudspeaker. Make sure the hole in the pad is aligned with the M10 hole.
4. Mount the loudspeaker in the yoke.
5. Use a 6 mm hex key to install the M10 button-head hex drive screws, lock washers, and flat washers through the yoke and pad, and into the Integrated Suspension point. Do not fully tighten the screws at this point.
6. Adjust the angle of the loudspeaker as required.
7. Torque the M10 screws to 60 in/lbs.



– Figure 1 –



– Figure 2 –

TD-000444-00



For the complete user guide, visit [www.qscaudio.com](http://www.qscaudio.com)

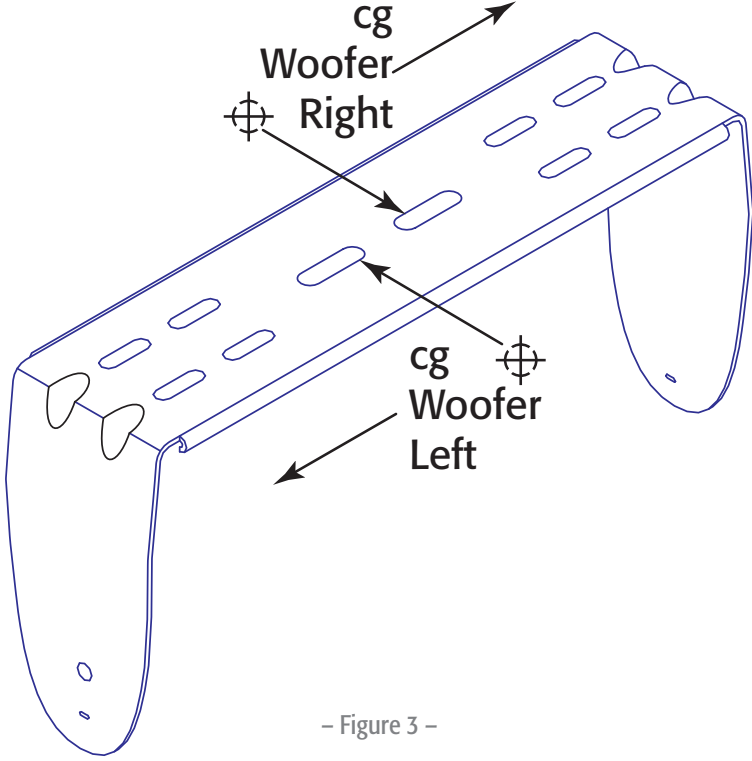
Designed by QSC in the USA



# Installing the Yoke Mount (continued)

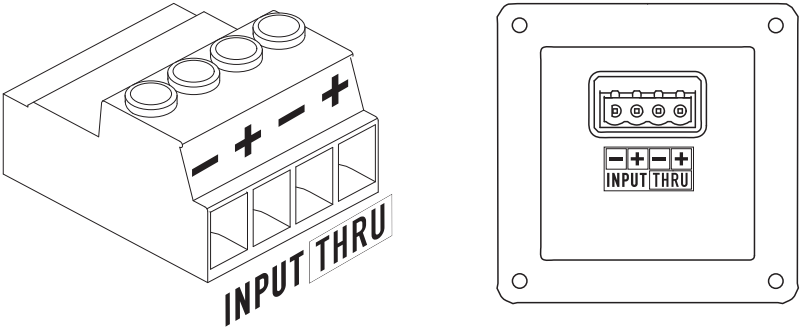
## Pendant Hang

The two slots in the center of the yoke are designed to accommodate up to a 0.5 inch (12.7 mm) pipe (all thread, or end threads). The center of gravity is marked on the inside of the yoke, and changes depending on the side the woofer is on. Refer to Figure 3.



- Figure 3 -

## Wire the Loudspeaker



- Figure 4 -

# Warranty (USA only; other countries, see your dealer or distributor)

## QSC Audio Products 3 Year Limited Warranty

QSC Audio Products, LLC ("QSC") guarantees its products to be free from defective material and/or workmanship and will replace defective parts and repair malfunctioning products under this warranty when the defect occurs under normal installation and use, provided the unit is returned to our factory, one of our authorized service stations or an authorized QSC International Distributor via pre-paid transportation with a copy of proof of purchase (i.e., sales receipt). This warranty provides that the examination of the return product must indicate, in our judgment, a manufacturing defect. This warranty does not extend to any product which has been subjected to misuse, neglect, accident, improper installation, or where the date code has been removed or defaced. QSC shall not be liable for incidental and/or consequential damages. This warranty gives you specific legal rights. This limited warranty is freely transferable during the term of the warranty period. The warranty on QSC products is NOT VALID if the products have been purchased from an unauthorized dealer/online e-tailer, or if the original factory serial number has been removed, defaced, or replaced in any way. Damage to, or loss of any software or data residing on the product is not covered. When providing repair or replacement service, QSC will use reasonable efforts to reinstall the product's original software configuration and subsequent update releases, but will not provide any recovery or transfer of software or data contained on the serviced unit not originally included in the product.

Customers may have additional rights, which vary from state to state or from country to country. In the event that a provision of this limited warranty is void, prohibited or superseded by local laws, the remaining provisions shall remain in effect.

**The QSC limited warranty is valid for a period of three (3) years from date of purchase in the United States and many (but not all) other countries.**

For QSC warranty information in countries other than the United States, contact your authorized QSC international distributor. A list of QSC International distributors is available at [www.qsc.com](http://www.qsc.com).

To register your QSC product online, go to [www.qsc.com](http://www.qsc.com) and select "Product Registration". Other questions regarding this warranty can be answered by calling, e-mailing or contacting your authorized QSC distributor.

**Phone:** 1-800-854-4079 within US and Canada, +1-714-754-6175 international, **Email:** [warranty@qsc.com](mailto:warranty@qsc.com), **Website:** [www.qsc.com](http://www.qsc.com).

## Contact Information

### Mailing Address:

QSC Audio Products, LLC  
1675 MacArthur Boulevard  
Costa Mesa, CA 92626-1468 USA

### Telephone Numbers:

Main Number: (714) 754-6175  
Sales & Marketing: (714) 957-7100 or toll free (USA only) (800) 854-4079  
Customer Service: (714) 957-7150 or toll free (USA only) (800) 772-2834

### Facsimile Numbers:

Sales & Marketing FAX: (714) 754-6174  
Customer Service FAX: (714) 754-6173

### World Wide Web:

[www.qsc.com](http://www.qsc.com)

### E-mail:

[info@qsc.com](mailto:info@qsc.com)  
[service@qsc.com](mailto:service@qsc.com)  
[tech\\_support@qsc.com](mailto:tech_support@qsc.com)



If you would like a full copy of the AcousticDesign User manual, visit the QSC Audio Products website at [www.qsc.com](http://www.qsc.com), or contact Customer Service +1 714 957-7150 or toll free (USA only) (800) 772-2834 to receive a copy by mail.

Si desea obtener una copia completa del manual del usuario de la AcousticDesign, visite el sitio web de QSC Audio Products en [www.qsc.com](http://www.qsc.com), o póngase en contacto con el Servicio al Cliente al +1 714 957-7150 o sin costo (sólo en EE.UU.) al (800) 772-2834 para recibir una copia por correo.

Pour obtenir un exemplaire complet du manuel d'utilisation de la AcousticDesign, allez sur le site Web QSC Audio Products à [www.qsc.com](http://www.qsc.com) ou contactez le service clientèle au +1 714 957-7150 ou au (800) 772-2834 (numéro vert - USA seulement) pour recevoir un exemplaire par courrier.

Ein vollständiges Exemplar des Benutzerhandbuchs für die AcousticDesign finden Sie auf der QSC Audio Products-Website unter [www.qsc.com](http://www.qsc.com). Sie können sich unter +1 714 957-7150 oder unter der (nur in den USA) gebührenfreien Nummer +1 (800) 772-2834 auch an den Kundendienst wenden, um sich ein Exemplar zuschicken zu lassen.

如果您需要 AcousticDesign 产品用户手册的完整副本，请访问 QSC 音频产品网站 [www.qsc.com](http://www.qsc.com)，或致电客户服务部门 +1 714 957-7150，或拨打免费电话（仅限美国）(800) 772-2834 通过邮件获取副本。