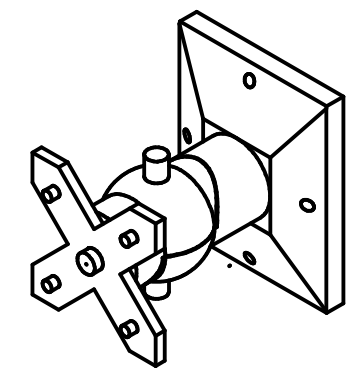


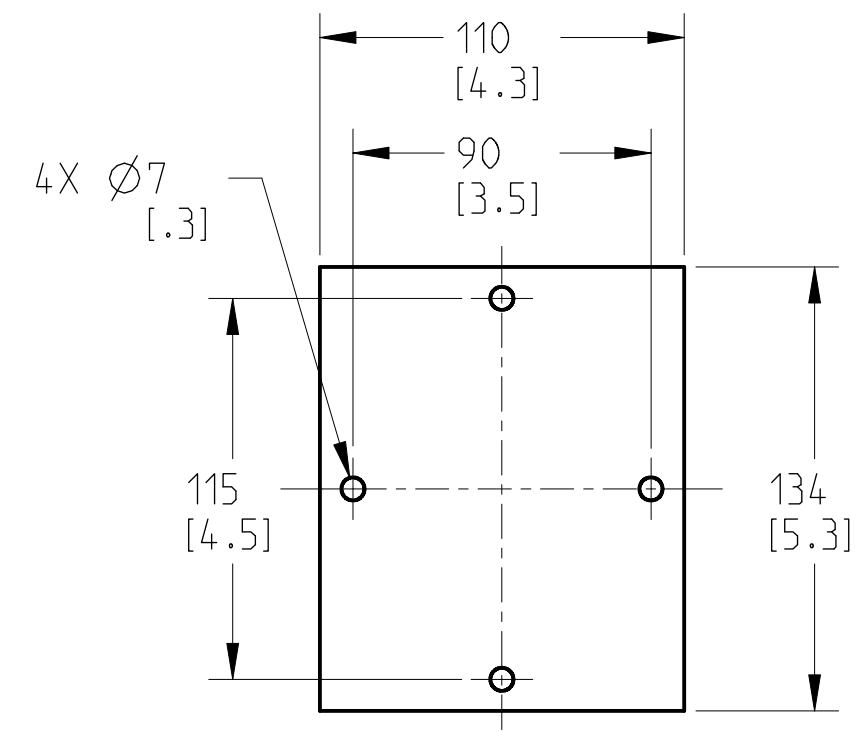
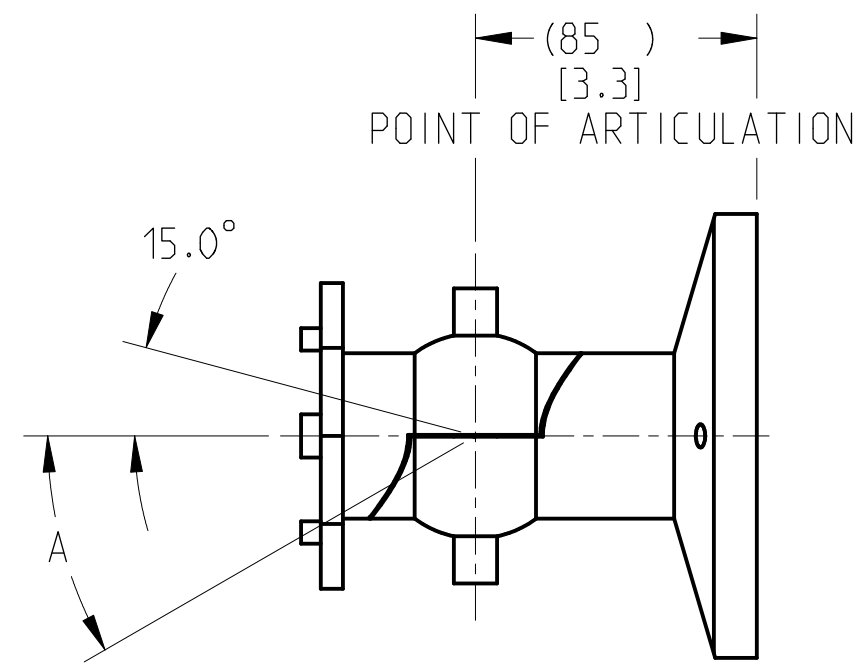
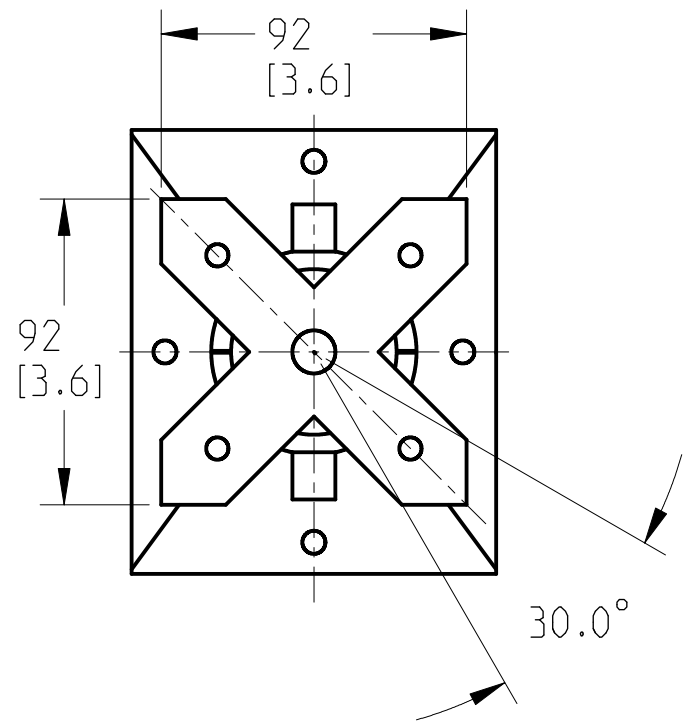
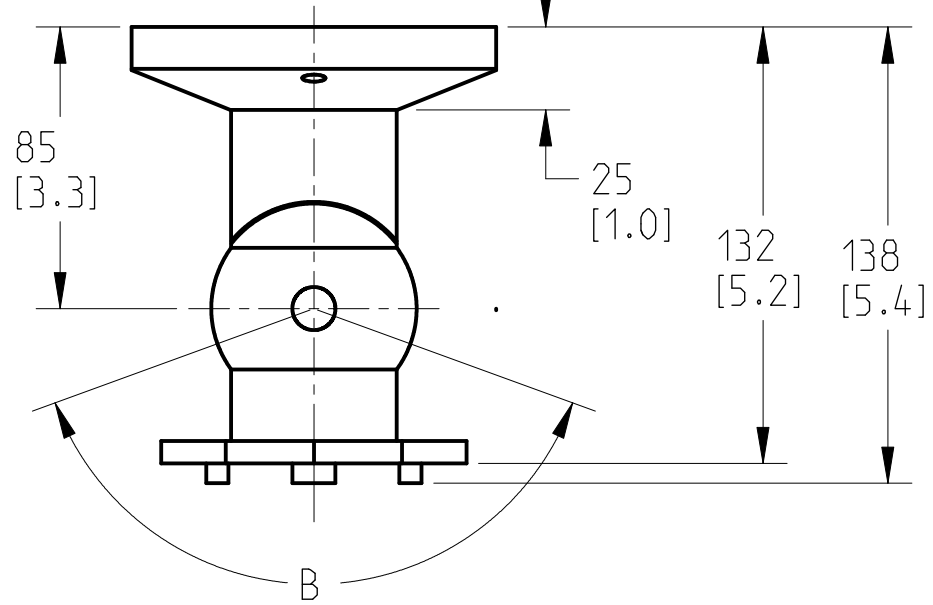
THIS DOCUMENT CONTAINS PROPRIETARY INFORMATION WHICH IS THE PROPERTY OF QSC AUDIO PRODUCTS, THAT MAY NOT BE DISCLOSED, REPRODUCED OR USED WITHOUT EXPRESS WRITTEN CONSENT FROM QSC AUDIO PRODUCTS.

REVISIONS					
REV	ECO	DESCRIPTION	BY	EFF DATE	ISSUED
A	-	RELEASE	JD	28-JAN-14	-

MODEL	DIM A	DIM B
S12	22.5°	90.0°
S10T	22.5°	105.0°
S8T	30.0°	135.0°



SCALE 0.250



UNLESS OTHERWISE SPECIFIED DIMENSIONS IN MILLIMETERS (IN)  
TOLERANCES ARE:

DECIMALS	DECIMALS	ANGLES
.X±.5[.02]	.XX±.25[.010]	± 1/2
DEBURR EDGES .25 [.010] R MAX		
MATERIAL		
FINISH		

APPROVALS		DATE (DD-MMM-YY)
DRAWN	J. DELARM	23-JAN-14
CHECKED	B. HAWKINS	28-JAN-14
MPG ENGR	MKT	
T. NIE		28-JAN-14
QA CHECK	N/A	-
DRAWING INFO: RD-000586-2D.A.2		
MODEL INFO: RD-000586-3D.A.1		

**QSC** QSC AUDIO PRODUCTS, LLC  
1675 MACARTHUR BOULEVARD  
COSTA MESA, CA 92626

W ALL MOUNT,  
S12/S10T/S8T

SIZE	CAGE CODE	DRAWING NO.	REV
B	00PW 4	RD-000586-2D	A
SCALE: 0.438	DO NOT SCALE DRAWING	SHEET	1 OF 1

- 3. PARTS ARE SYMMETRICAL ABOUT CENTER LINES UNLESS OTHERWISE NOTED.
  - 2. TOLERANCES (MM): X ± 3, ANGLES: ± 1°.
  - 1. NET WEIGHT APPROX. 0.8 KG (2 LBS)
- NOTE: UNLESS OTHERWISE SPECIFIED