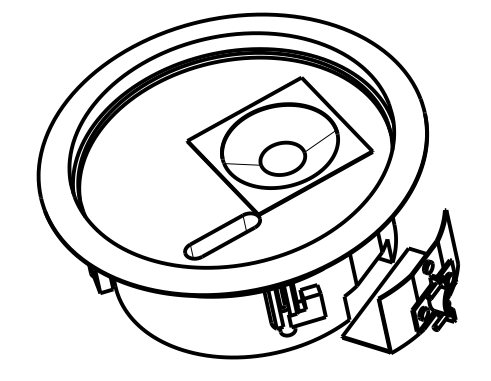
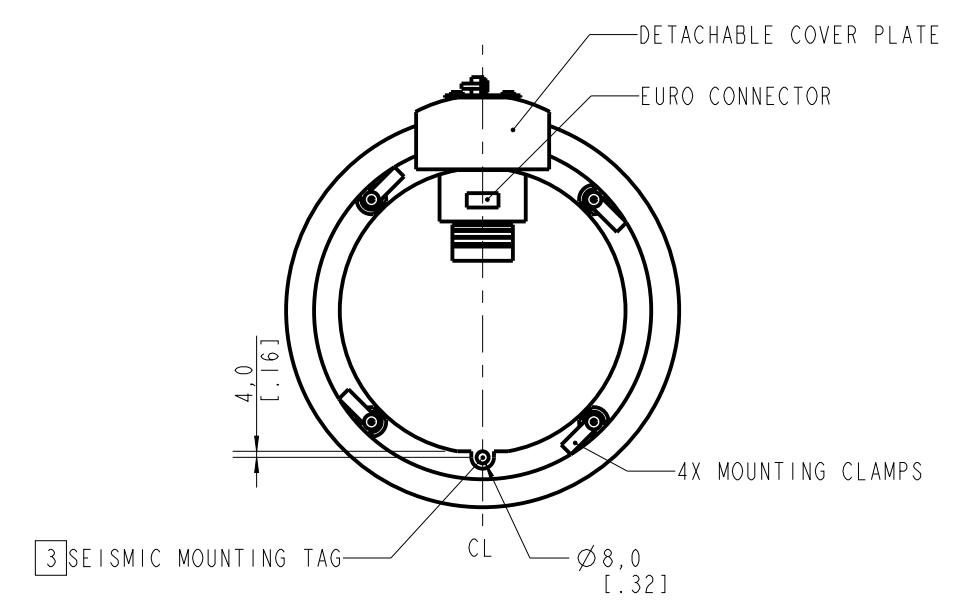
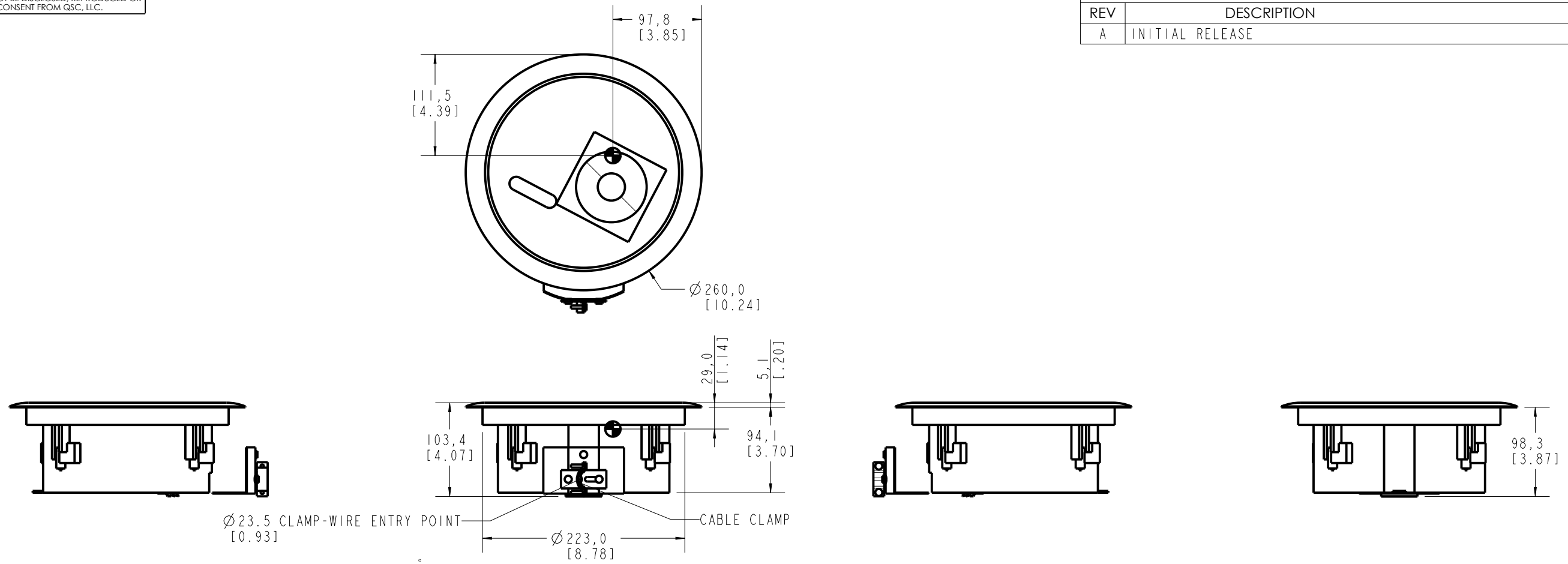


THIS DOCUMENT CONTAINS PROPRIETARY INFORMATION WHICH IS THE PROPERTY OF QSC, LLC. THAT MAY NOT BE DISCLOSED, REPRODUCED OR USED WITHOUT THE EXPRESS WRITTEN CONSENT FROM QSC, LLC.

REVISION		BY	DATE
REV	DESCRIPTION		
A	INITIAL RELEASE	H. HE	27-FEB-20



- 5. GRILLE NOT SHOWN FOR CLARITY;
 - 4. SYMBOL INDICATES CENTER OF GRAVITY;
 - 3. SAFETY SEISMIC MOUNTING TAG WITH Ø8MM HOLE;
 - 2. DIMENSIONS ARE IN MILLIMETERS [INCH];
 - 1. NET WEIGHT APPROX 3.2 KG [7.0 LBS];
- NOTE: UNLESS OTHERWISE SPECIFIED.

UNLESS OTHERWISE SPECIFIED DIMENSIONS ARE IN MM [IN] TOLERANCES ARE: DECIMALS ANGLES X±3 [0.1] ±1°	CAD GENERATED DRAWING DO NOT MANUALLY UPDATE	QSC, LLC 1675 MACARTHUR BOULEVARD COSTA MESA, CA 92626 USA
	APPROVALS	
MATERIAL N/A	DRAWN BY H. HE	FINISHED GOOD, LOUDSPEAKER, AC-C2T-LP 2.5" CEILING LOW-PROFILE
FINISH N/A	MECH ENGINEER B. HAWKINS	
DO NOT SCALE DRAWING	TECH DIRECTOR J. SANDERS	
PROJECTION SYMBOL	MFG ENGINEER M. LUO	
SCALE: 1:5 CAD FILE: FG-901286-2D...0		SIZE CAGE CODE DWG. NO. REV B 00PW4 FG-901286-2D A SHEET: 1 OF 1