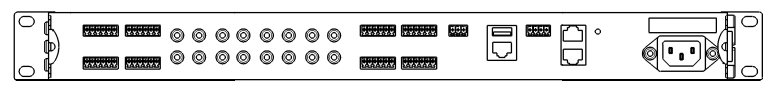
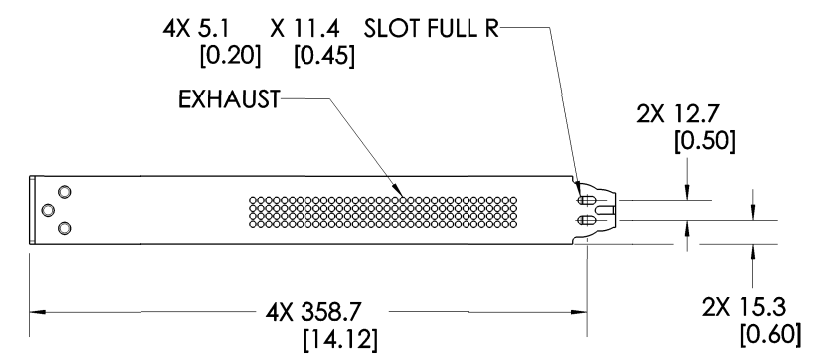
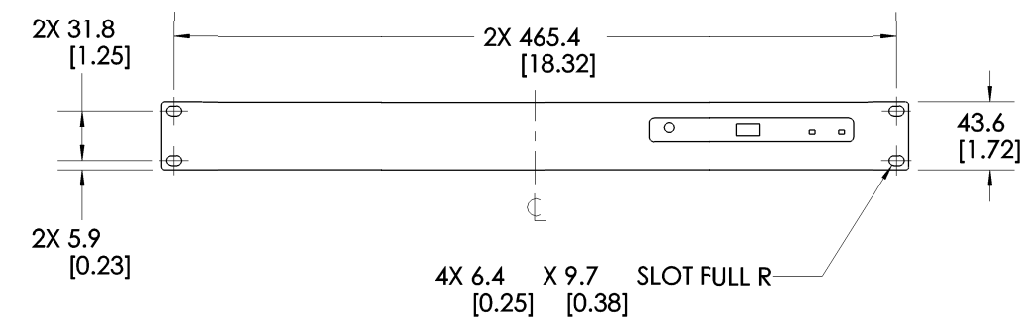
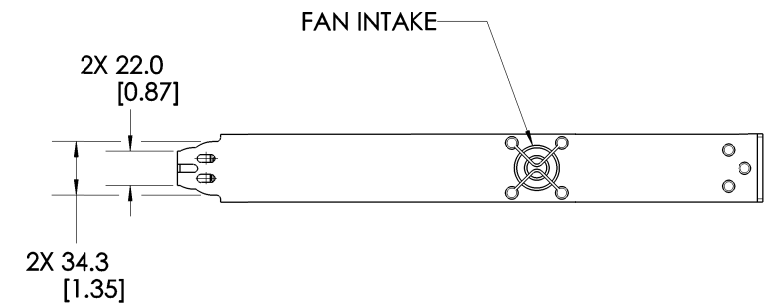
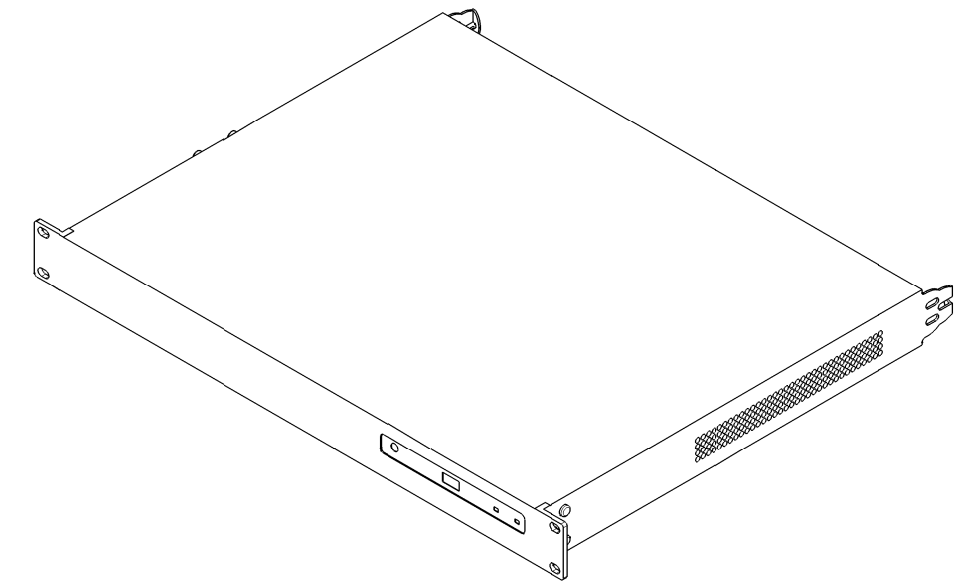
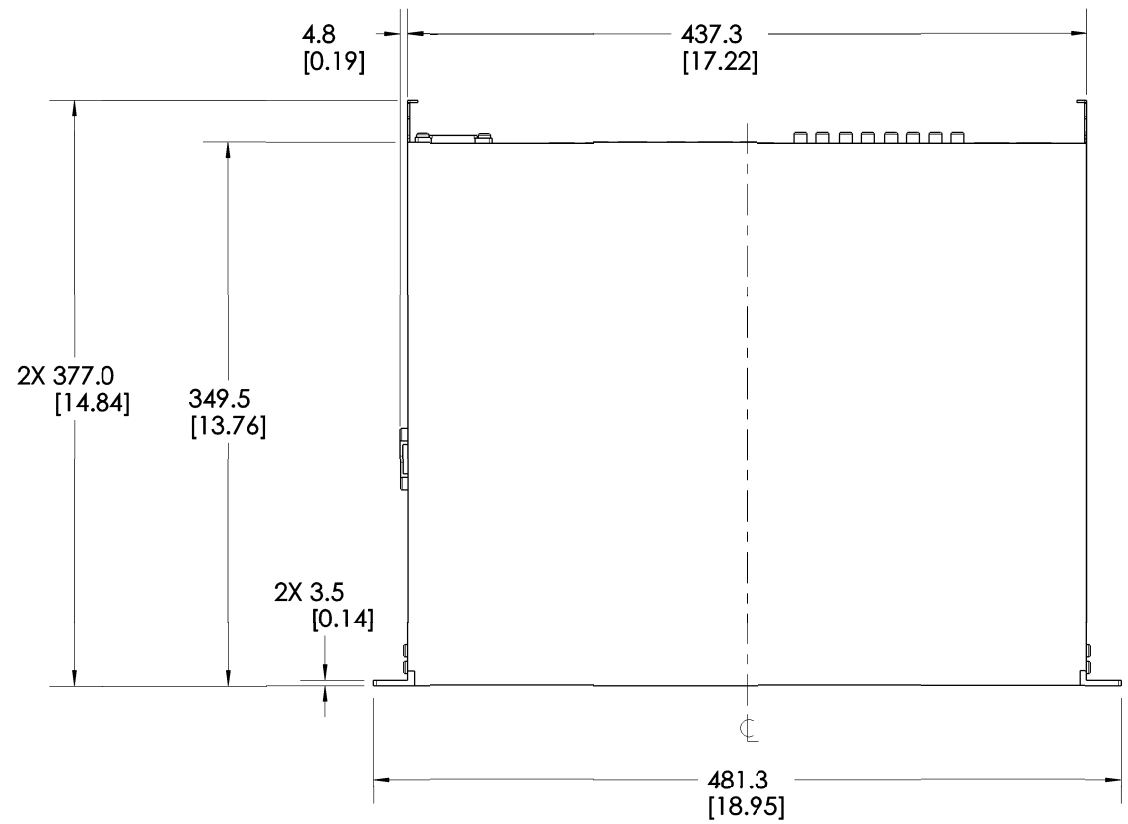


REVISION		BY	DATE
REV	DESCRIPTION	ES	24-APR-18
A	INITIAL RELEASE		



REAR VIEW

1. NET WEIGHT APPROX. 3.04 KG [6.7 LBS]  
NOTES: UNLESS OTHERWISE SPECIFIED.

UNLESS OTHERWISE SPECIFIED DIMENSIONS ARE IN MM [IN] TOLERANCES ARE: DECIMALS ANGLES X ± 3 [.12] ± 1°	CAD GENERATED DRAWING DO NOT MANUALLY UPDATE	QSC, LLC 1675 MACARTHUR BOULEVARD COSTA MESA, CA 92626 USA
	APPROVALS	
MATERIAL N/A	DRAWN BY B. SHASTRI	<b>FINISHED GOOD, MIXER, MP-M80, 100-240V, BK, MUSIC &amp; PAGING, 16 INPUTS X 8 OUTPUTS</b>
FINISH N/A	MECH ENGINEER D. TEULIE	
DO NOT SCALE DRAWING	TECH DIRECTOR S. NENADIC	
PROJECTION SYMBOL	MFG ENG C. YOMOGIDA	SIZE CAGE CODE DWG. NO. REV B 00PW4 FG-901148-2D A
SCALE: 1:5 CAD FILE: FG-901148-2D.A.0 SHEET: 1 OF 1		