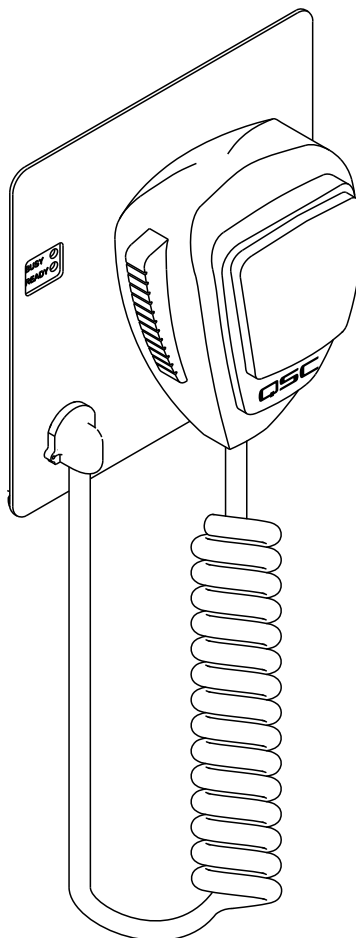


PS-X – Page Station Expander



TD-000356-00-A



EXPLANATION OF TERMS AND SYMBOLS

The term "**WARNING!**" indicates instructions regarding personal safety. If the instructions are not followed the result may be bodily injury or death.

The term "**CAUTION!**" indicates instructions regarding possible damage to physical equipment. If these instructions are not followed, it may result in damage to the equipment that may not be covered under the warranty.

The term "**IMPORTANT!**" indicates instructions or information that are vital to the successful completion of the procedure.

The term "**NOTE**" is used to indicate additional useful information.



The intent of the lightning flash with arrowhead symbol in a triangle is to alert the user to the presence of un-insulated "dangerous" voltage within the product's enclosure that may be of sufficient magnitude to constitute a risk of electric shock to humans.



The intent of the exclamation point within an equilateral triangle is to alert the user to the presence of important safety, and operating and maintenance instructions in this manual.



IMPORTANT SAFETY INSTRUCTIONS



WARNING!: TO PREVENT FIRE OR ELECTRIC SHOCK, DO NOT EXPOSE THIS EQUIPMENT TO RAIN OR MOISTURE.
– Maximum operating ambient temperature is 50°C (122°F).

- Read these instructions.
- Keep these instructions.
- Heed all warnings.
- Follow all instructions.
- Do not use this apparatus near water.
- Clean only with a dry cloth.
- Do not block any ventilation opening. Install in accordance with the manufacturer's instructions.
- Do not install near any heat sources such as radiators, heat registers, stoves, or other apparatus (including amplifiers) that produce heat.
- Only use attachments/accessories specified by the manufacturer.
- Unplug this apparatus during lightning storms or when unused for long periods of time.
- Refer all servicing to qualified service personnel. Servicing is required when the apparatus has been damaged in any way, such as power-supply cord or plug is damaged, liquid has been spilled or objects have fallen into the apparatus, the apparatus has been exposed to rain or moisture, does not operate normally, or has been dropped.
- Adhere to all applicable, local codes.
- Consult a licensed, professional engineer when any doubt or questions arise regarding a physical equipment installation.

Designed and Assembled in the USA

FCC Statement



NOTE: This equipment has been tested and found to comply with the limits for a Class B digital device, pursuant to Part 15 of the FCC Rules.

These limits are designed to provide reasonable protection against harmful interference in a residential installation. This equipment generates, uses and can radiate radio frequency energy and, if not installed and used in accordance with the instructions, may cause harmful interference to radio communications. However, there is no guarantee that interference will not occur in a particular installation. If this equipment does cause harmful interference to radio or television reception, which can be determined by turning the equipment off and on, the user is encouraged to try to correct the interference by one or more of the following measures:

- Reorient or relocate the receiving antenna.
- Increase the separation between the equipment and receiver.
- Connect the equipment into an outlet on a circuit different from that to which the receiver is connected.
- Consult the dealer or an experienced radio/TV technician for help.

Warranty (USA only; other countries, see your dealer or distributor)

QSC Audio Products 3 Year Limited Warranty

QSC Audio Products, LLC ("QSC") guarantees its products to be free from defective material and/or workmanship and will replace defective parts and repair malfunctioning products under this warranty when the defect occurs under normal installation and use, provided the unit is returned to our factory, one of our authorized service stations or an authorized QSC International Distributor via pre-paid transportation with a copy of proof of purchase (i.e., sales receipt). This warranty provides that the examination of the return product must indicate, in our judgment, a manufacturing defect. This warranty does not extend to any product which has been subjected to misuse, neglect, accident, improper installation, or where the date code has been removed or defaced. QSC shall not be liable for incidental and/or consequential damages. This warranty gives you specific legal rights. This limited warranty is freely transferable during the term of the warranty period. The warranty on QSC products is NOT VALID if the products have been purchased from an unauthorized dealer/online e-tailer, or if the original factory serial number has been removed, defaced, or replaced in any way. Damage to, or loss of any software or data residing on the product is not covered. When providing repair or replacement service, QSC will use reasonable efforts to reinstall the product's original software configuration and subsequent update releases, but will not provide any recovery or transfer of software or data contained on the serviced unit not originally included in the product.

Customers may have additional rights, which vary from state to state or from country to country. In the event that a provision of this limited warranty is void, prohibited or superseded by local laws, the remaining provisions shall remain in effect.

The QSC limited warranty is valid for a period of three (3) years from date of purchase in the United States and many (but not all) other countries.

For QSC warranty information in countries other than the United States, contact your authorized QSC international distributor. A list of QSC International distributors is available at www.qscaudio.com.

To register your QSC product online, go to www.qscaudio.com and select "Product Registration". Other questions regarding this warranty can be answered by calling, e-mailing or contacting your authorized QSC distributor.

Phone: 1-800-854-4079 within US and Canada, +1-714-754-6175 international, **Email:** warranty@qscaudio.com, **Website:** www.qscaudio.com.

RoHS STATEMENT

The Q-Sys PS-X products are in compliance with European Directive 2002/95/EC – Restriction of Hazardous Substances (RoHS).

The Q-Sys PS-X products are in compliance with “China RoHS” directives. The following chart is provided for product use in China and its territories:

	Q-Sys PS-X					
部件名称 (Part Name)	有毒有害物质或元素 (Toxic or hazardous Substances and Elements)					
	铅 (Pb)	汞 (Hg)	镉 (Cd)	六价铬 (Cr(vi))	多溴联苯 (PBB)	多溴二苯醚 (PBDE)
电路板组件 (PCB Assemblies)	X	O	O	O	O	O
机壳装配件 (Chassis Assemblies)	X	O	O	O	O	O

O: 表明这些有毒或有害物质在部件使用的同类材料中的含量是在 SJ/T11363_2006 极限的要求之下。
(O: Indicates that this toxic or hazardous substance contained in all of the homogeneous materials for this part is below the limit requirement in SJ/T11363_2006.)

X: 表明这些有毒或有害物质在部件使用的同类材料中至少有一种含量是在 SJ/T11363_2006 极限的要求之上。
(X: Indicates that this toxic or hazardous substance contained in at least one of the homogeneous materials used for this part is above the limit requirement in SJ/T11363_2006.)

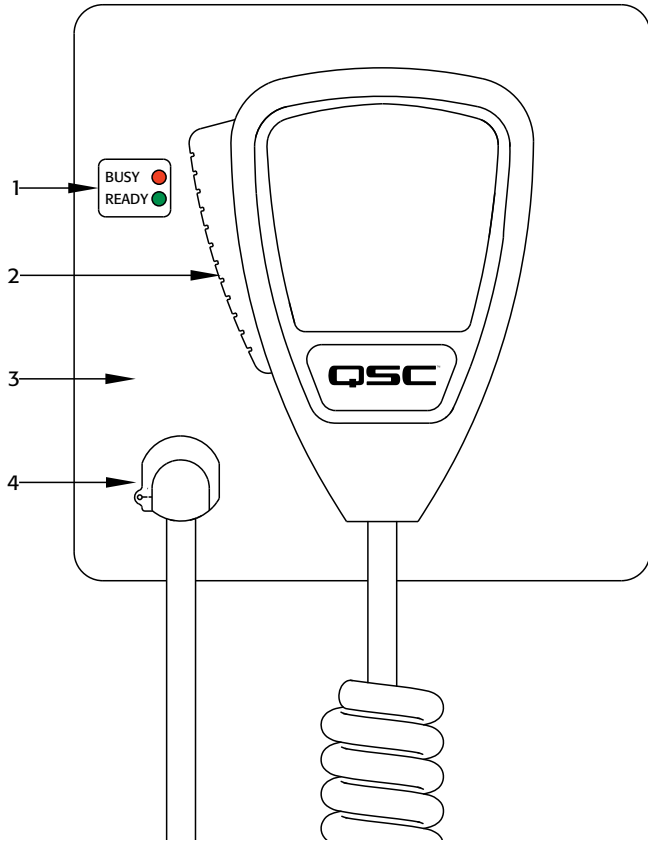
EN

Introduction

The Page Station Expander is designed to be mounted on a wall housed in a standard, US 2-gang, electrical wall box and connects directly to the rear of a Q-Sys Page Station via Cat 5e cable. Voice input is provided through a handheld dynamic push-to-talk microphone. A unique magnetic docking system and cable strain relief allow flexibility in microphone placement when not in use, yet help deter theft or removal of the microphone. Combining the Page Station Expander and the Page Station provide multiple inputs for a common zone, for example both the kiosk and jet-way of an airport gate can easily be served by this combination.

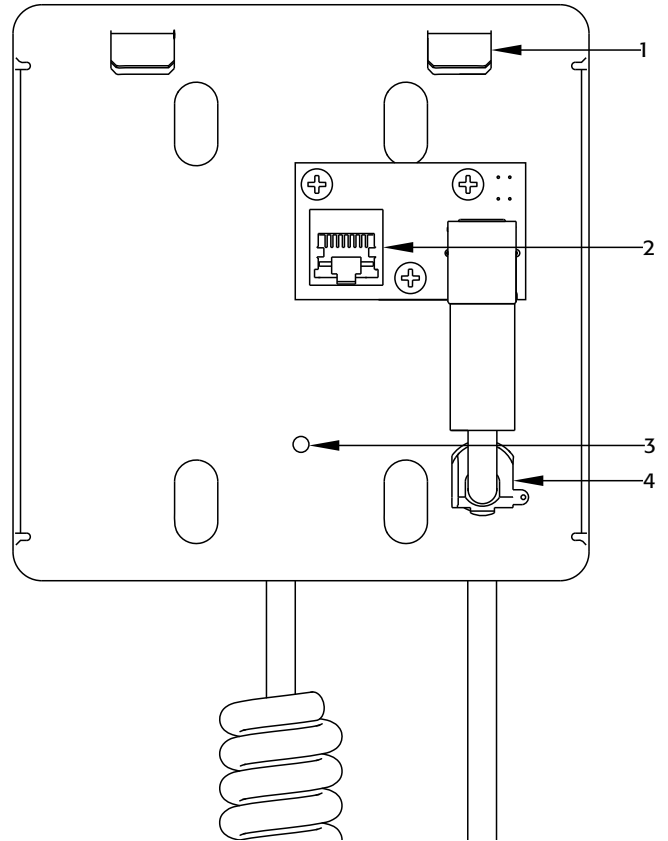
For detailed information about the Q-Sys Page Stations, and the Q-LAN Network, refer to the Page Station User Guide, and the Q-Sys Designer online help.

Page Station Expander Features



– Figure 1 –

- 1. Busy and Ready LED indicators
- 2. Push-to-talk button
- 3. Magnetic Surface
- 4. Locking Strain Relief



– Figure 2 –

- 1. Mounting Tabs
- 2. RJ-45 Connector (to Page Station)
- 3. Mounting Screw hole
- 4. Locking Strain Relief

EN

The Q-Sys Q-LAN Network

The Q-Sys solution (Figure 3) is designed to be deployed on QSC's high performance Q-LAN network. Q-LAN is a proprietary network implementation that bundles several industry standard protocols into a data transport solution appropriate for live performance multimedia environments. Q-LAN offers gigabit data rates, device and network redundancy, 32-bit floating point audio data transfers, and low-latency support on local area network deployments. Accurate synchronization of end nodes and high-quality clock distribution are built into the Q-LAN solution using the IEEE-1588 Precision Time Protocol. Discovery of end nodes and auto-configuration of end nodes are all included in the solution using industry standard protocols over a standards-based IP network implementation using off-the-shelf hardware components.

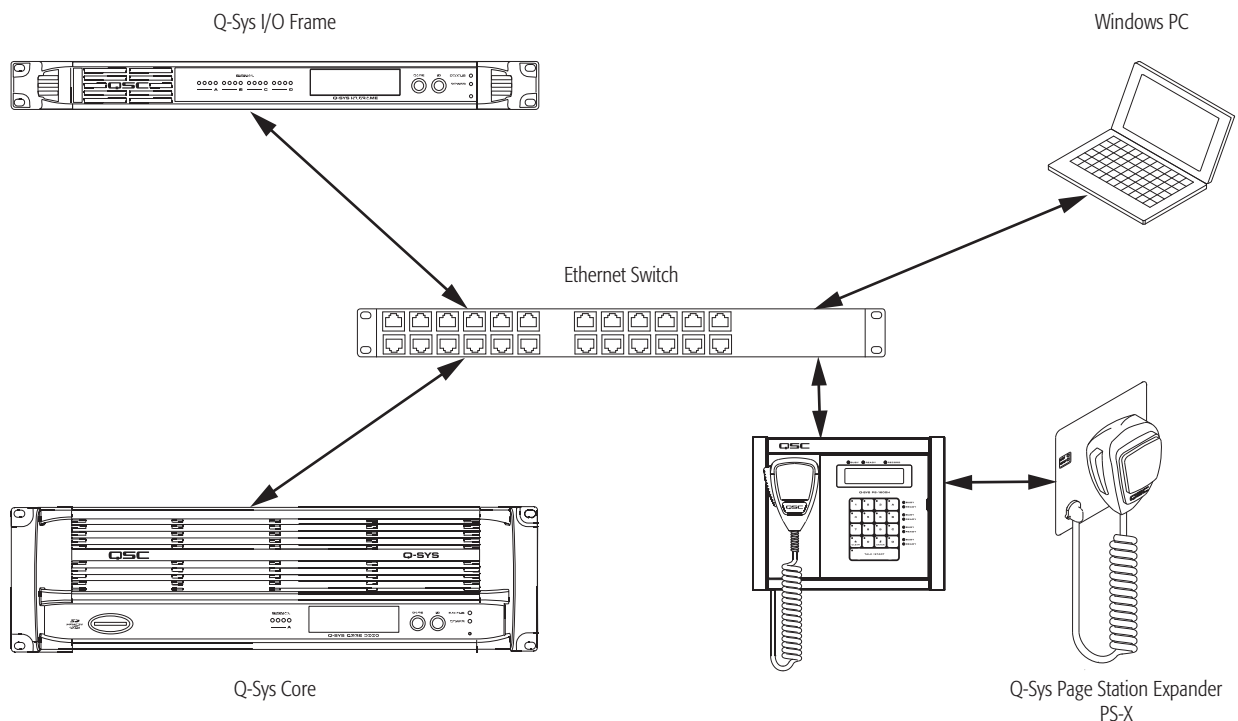
Figure 3 shows a very simple Q-LAN network implementation with a Q-Sys Core Processor, a Q-Sys I/O Frame, a Q-Sys PS-X Page Station Expander, Ethernet switch, and a PC running Q-Sys Designer.

All devices are connected to a managed 1000 Mbps Ethernet switch that includes the appropriate QoS, (Quality of Service) suitable for a high-performance gigabit network to support multimedia applications.

The PS-X is configured via Q-Sys Designer when you configure your Page Station.



NOTE: A PC is only required during initial configuration of the system or when a PC is the preferred means for providing on-going management services to the system designer or operator.




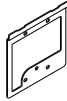
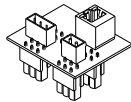
– Figure 3 –

- The Q-Sys I/O Frame provides an audio access point for the Q-Sys system by providing the means to get audio onto and off of the Q-LAN network.
- The Q-Sys Core Processor provides signal processing, distribution, and management services for the Q-Sys system. All time-sensitive audio and management communications traverse the Q-LAN network.
- The Windows PC can be a desktop or laptop running Q-Sys Designer or the User Control Interface (UCI) remote management application. The PC is only required by the Q-Sys system during the design phase for configuring the system. The PC is not required for runtime operation, though it may be used for on-going system management
- The Q-Sys PS-X in conjunction with the Q-Sys Page Station and the Core Processor, provide the capability of using two dedicated microphones for a single Page Station in the same physical area.

Unpacking

There are no special unpacking precautions. However, it is recommended that you keep the original packing materials for reuse in the rare event that service is required. If service is required and the original packing material is not available, ensure that the unit is adequately protected for shipment (use a strong box of appropriate size, sufficient packing/padding material to prevent load shifting or impact damage) or call QSC's Technical Services Group for replacement packing material and a carton.

PS-X Packing List

Part Name	Qty	Description
PS-X – Page Station Expander	1	
Mounting Bracket	1	
Page Station Connector Adapter	1	
Flat-head screw	1	#8-32, 0.5"
Warning information sheet	1	
Q-Sys PS-X Quick Start Guide	1	TD-000358-00

EN

Installation

The Q-Sys PS-X is mounted using a new construction, UL listed, 2-gang electrical box.

General Requirements

- The PS-X must have access to a Cat 5e connection (RJ45 Class 2) to the associated Q-Sys Page Station.
- The PS-X must be mounted in a wall no less than 2.38" (60.5 mm) deep.
- The PS-X should be mounted in a location where it will not be an obstruction to normal traffic.
- The Cat 5e cable must be less than or equal to 100 meters.

Mounting the Mounting Bracket to a 2-Gang Electrical Box - New Construction

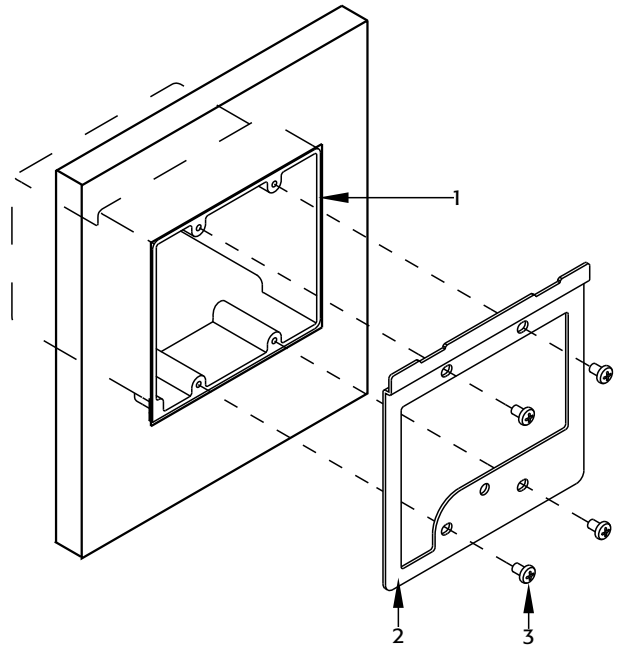


NOTE: The mounting procedure for an old-construction 2-gang box is the same, however not all old-construction boxes will work with the PS-X. Be sure you verify the fit before installing the old-construction box in the wall.

The 2-gang electrical box must be UL listed, and should be installed in the wall, during construction, with the Cat 5e cable pre-wired.

Refer to Figure 4.

1. Place the Mounting Bracket on the wall aligning the holes in the Mounting Bracket (2) with the holes in the 2-gang box (1).
2. Use four Mounting Bracket Screws (3) and an appropriate screwdriver to secure the Mounting Bracket to the 2-gang box.

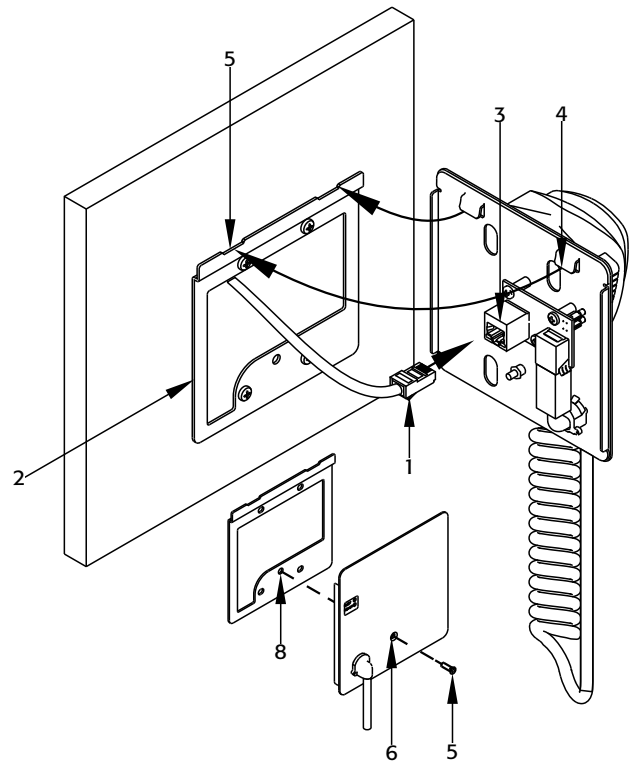


– Figure 4 –

Mounting the PS-X to the Mounting Bracket

Refer to Figure 5.

1. Feed the Cat 5e cable (1) with a Class 2 RJ45 connector, through the Mounting Bracket (2), and plug it into the RJ45 socket (3) on the back of the PS-X.
2. Carefully angle the top of the PS-X forward (towards the wall), and slide the PS-X onto the Mounting Bracket (1) inserting the two mounting tabs (4) into the mounting tab receptacles (5). Make sure the cable is fed carefully into the box or wall and is not binding anywhere.
3. After engaging the tabs, straighten the PS-X, pull slightly down, and push in on the bottom.
4. Secure the PS-X to the Mounting Bracket with one counter sunk Phillips screw (5) inserted in the hole (6) in the PS-X microphone docking plate.



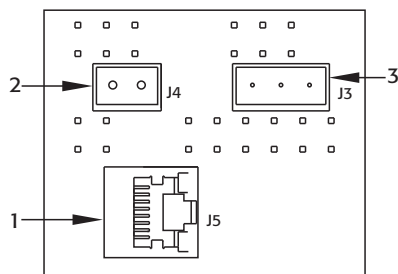
– Figure 5 –

Page Station Connector Adaptor Labeling

Refer to Figure 6

When you connect the adaptor to the Page Station, it makes use of the GPIO and Mic/Line connectors on the Page Station and the labels on the back of the Page Station are no longer relevant. Refer to the Page Station User Manual for details. The following Page Station connectors are available for use.

1. RJ-45 connector to the PS-X (J5)
2. Aux Power (J4)
3. Line Out (J3)



– Figure 6 –

Computer Requirements & Software Installation

Configuration of the PS-X requires a Q-Sys Core Processor, a PC running Q-Sys Designer software, and a Q-Sys Page Station both connected to the Q-LAN network. The latest version of Q-Sys Designer may be downloaded from the QSC website (<http://www.qscaudio.com/>). Additionally, all Q-Sys Core Processors include a Q-Sys Designer CD-ROM. For more information regarding system requirements and installation instructions, refer to the Q-Sys Designer installation instructions on the QSC website or in the Core Processor's Q-Sys Hardware User Manual.

Connections

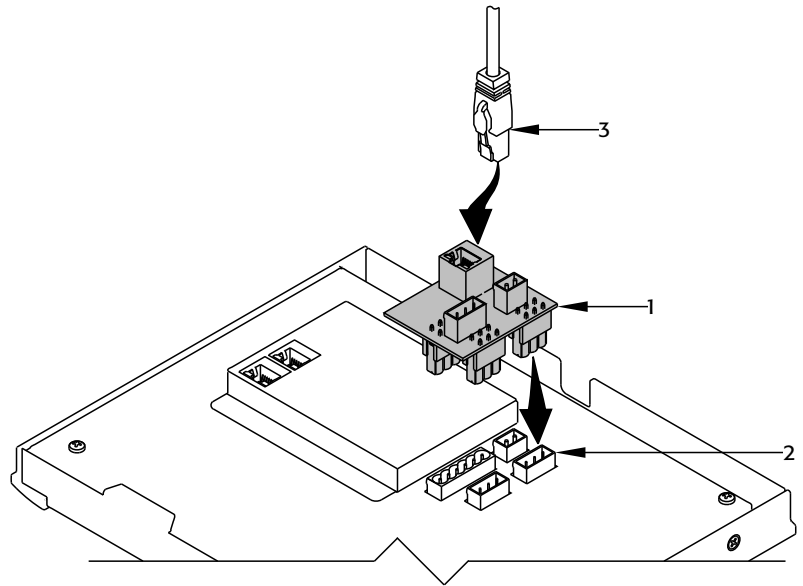
The Q-Sys Page Station Expander connects to any of the Q-Sys Page Station models. A Cat 5e cable, both ends terminated with a Class 2 RJ-45 connector, and the Page Station Connector Adapter is all that is needed. The cable must be 100 meters or less.

Refer to Figure 7.

1. Plug the Page Station Connector Adapter (1) into the back of the Page Station (2) as shown.
2. Be sure the adapter is plugged in all the way, and secure in place.
3. Plug the Cat 5e cable RJ-45 connector (3) into the RJ-45 receptacle on the adapter.



NOTE: The other end of the Cat 5e cable should be connected to the PS-X as described earlier in this document.



– Figure 7 –

Mount or re-mount the Page Station in accordance with the Page Station User Manual.

Configuring the Page Station for the PS-X in Q-Sys

Before you can use the PS-X, you must configure the Page Station in Q-Sys Designer.

1. Start Q-Sys Designer on the PC.
2. Open the design running on the appropriate Core.
3. In Q-Sys Designer, be sure the Page Station is in the design, then select the Status component of the Page Station to which the PS-X is connected.
4. In the Properties for the Page Station, set the Enable Expander to Yes.
5. Open the Mic/Control component for the Page Station. There are now two sets of controls. One for the Main Mic, the other for the Expander (Xpander). Use these controls to set the correct levels for the PS-X. Refer to the online help for details.

The PS-X is now ready to use. The PC is no longer required for the operation of your Q-Sys system.

Using the PS-X

For the most part, using the PS-X depends on the configuration of the Page Station in the design created for your installation by your system designer. To make a page, the Ready LED on the PS-X must be illuminated, then just hold the handheld mic button, and begin talking. Release the button when you are finished. Review the Page Station documentation, both the user manual and the online help for Page Station configuration.

Identifying the PS-X in Q-Sys Designer

If you have a large number of PS-Xs in your design, it may be difficult to find which component in the design matches a specific piece of hardware. The way to locate the PS-X is to locate the Page Station to which it is connected.

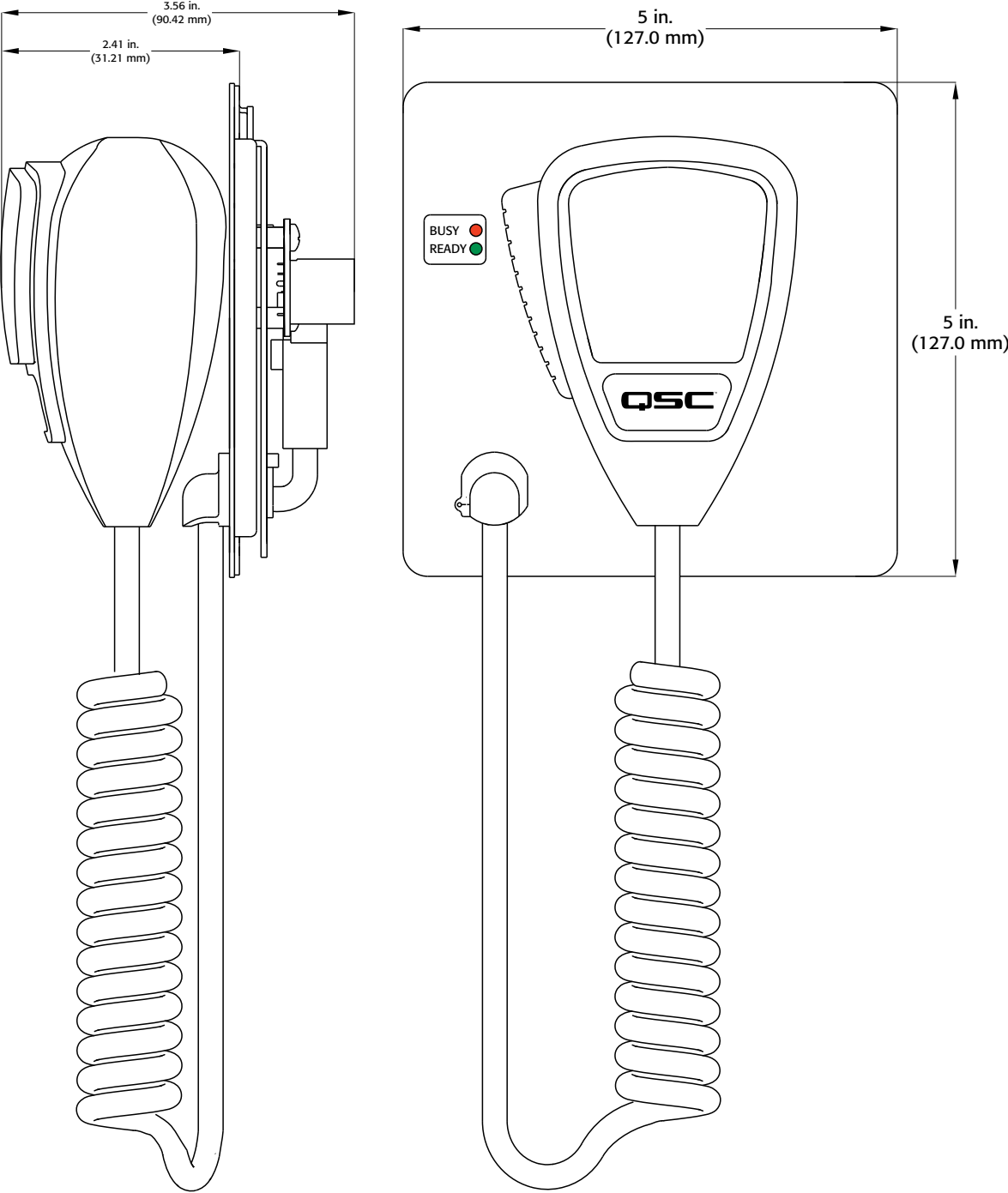
1. Click the ID button in the Page Station Status component in Q-Sys Designer, or the Page Station in Q-Sys Configurator. The LCD on the associated Page Station flashes.

Updating Firmware

There is no firmware residing on the PS-X. Firmware updates are made to the Page Station. Refer to the Page Station user manual, or the Q-Sys Designer online help.

PS-X Dimensions

The microphone cord is not included in the dimensions.



EN

- Figure 8 -

PS-X Specifications

Front Panel

Microphone	Handheld, push-to-talk, dynamic microphone
Microphone docking surface	Ferromagnetic material
Status LEDs	Green = Ready, Red = Busy
Status LED Power Source	Q-Sys Page Station GPIO Digital one = TTL 3.3 VDC @ 2 mA Digital zero is 0 V

Rear Panel Connectors

RJ45	Cat 5e Connection to a Q-Sys Page Station
------	---

Dimensions (HWD)

Microphone docking surface	5 in. x 5 in. x 3.56 in. (127.0 mm x 127.0 mm x 90.42 mm)
----------------------------	---

Shipping Weight	2 lbs. (0.90 kg)
-----------------	------------------



Contact

Mailing Address

QSC Audio Products, LLC
1675 MacArthur Boulevard
Costa Mesa, CA 92626-1468 U.S.

Main Number

(714) 754-6175

World Wide Web

www.qscaudio.com

Sales & Marketing

Voice

(714) 957-7100 International
Toll free (U.S. only) (800) 854-4079

FAX

(714) 754-6174

E-mail

info@qscaudio.com

Support

24/7 Support

QSC offers 24/7 support on Q-Sys™
Networked Audio Systems only.

Full Support

Business Hours: 6 AM to 5 PM Pacific Time (Mon-Fri)

Tel. 800-772-2834 (U.S. only)

Tel. +1 (714) 957-7150

Fax. +1 (714) 754-6173

Q-Sys Emergency-only After-Hours and Weekend Support*

Tel: +1-888-252-4836 (U.S./Canada)

Tel: +1-949-791-7722 (non-U.S.)

* After hours calls are guaranteed a 30 minute response time from a Q-Sys Support Team member for Q-Sys ONLY!

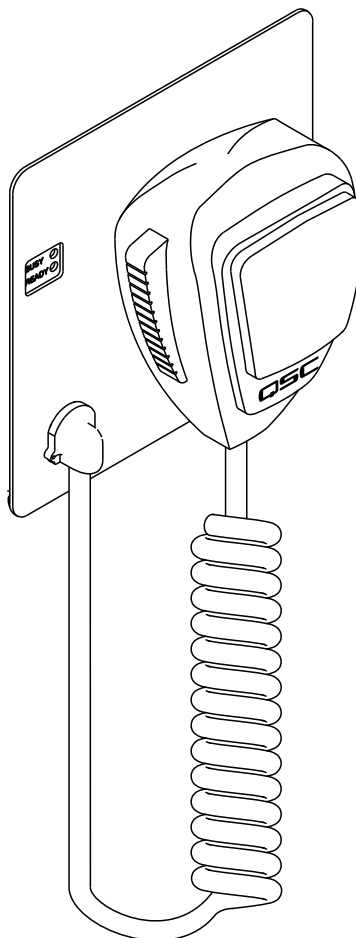
E-mail

qsysupport@qscaudio.com

(immediate e-mail response not guaranteed. For URGENT issues use the phone numbers above.)

EN

PS-X – Page Station Expander



EXPLICACIÓN DE LOS TÉRMINOS Y DE LOS SÍMBOLOS

El término “**iADVERTENCIA!**” indica instrucciones con respecto a la seguridad personal. Si no se siguen dichas instrucciones, se pueden ocasionar lesiones corporales o la muerte.

El término “**iPRECAUCIÓN!**” indica instrucciones con respecto a posibles daños al equipo físico. Si no se siguen dichas instrucciones, se pueden ocasionar daños al equipo que pueden no estar cubiertos bajo la garantía.

El término “**iIMPORTANTE!**” indica instrucciones o información que son vitales para completar satisfactoriamente el procedimiento.

El término “**NOTA**” se utiliza para indicar información adicional de utilidad.



La intención del símbolo de un rayo con punta de flecha dentro de un triángulo equilátero es alertar al usuario de la presencia de voltaje “**peligroso**” no aislado dentro de la caja del producto, que puede ser de suficiente magnitud para constituir un riesgo de descarga eléctrica a los seres humanos.



La intención del signo de exclamación dentro de un triángulo equilátero es alertar al usuario de la presencia de importantes instrucciones de seguridad, operación y mantenimiento en este manual.



INSTRUCCIONES IMPORTANTES DE SEGURIDAD



iADVERTENCIA! PARA PREVENIR INCENDIOS O DESCARGAS ELÉCTRICAS, NO EXPONGA ESTE EQUIPO A LA LLUVIA NI A LA HUMEDAD.

- La máxima temperatura ambiente de operación es 50 °C (122 °F).

- Lea estas instrucciones.
- Conserve estas instrucciones.
- Ponga atención a todas las advertencias.
- Siga todas las instrucciones.
- No use este aparato cerca del agua.
- Límpielo sólo con un paño seco.
- No obstruya ninguna abertura de ventilación. Instale el equipo de acuerdo con las instrucciones del fabricante.
- No lo instale cerca de fuentes de calor tales como radiadores, registros térmicos, estufas ni otros aparatos (inclusive amplificadores) que produzcan calor.
- Use sólo piezas/accesorios especificados por el fabricante.
- Desconecte el aparato durante tormentas eléctricas o cuando no lo vaya a usar durante periodos prolongados.
- Refiera todo el servicio a personal calificado. Es necesario dar servicio al aparato cuando sufra algún daño, como cuando se daña el cable de alimentación eléctrica o el enchufe, cuando se derraman líquidos o caen objetos sobre el aparato, cuando éste haya estado expuesto a la lluvia o humedad, cuando no opere normalmente o cuando se haya caído.
- Cumpla con todos los códigos locales aplicables.
- Consulte a un ingeniero profesional con la debida licencia cuando surjan dudas o preguntas referentes a la instalación física del equipo.

Diseñado y montado en EE.UU.

Declaración de la FCC



NOTA: Este equipo ha sido probado y se ha determinado que cumple con los límites de un dispositivo digital Clase B, en virtud de la parte 15 de las reglas de la FCC.

Estos límites están diseñados para proporcionar protección razonable contra interferencia dañina en una instalación residencial. Este equipo genera, utiliza y puede irradiar energía de radiofrecuencia y por lo tanto, si no se instala y utiliza de conformidad con las instrucciones, podría causar interferencia dañina para las radiocomunicaciones. Sin embargo, no hay garantía que no ocurrirá interferencia en una instalación en particular. Si este equipo interfiere con la recepción de radio o televisión, lo cual se puede determinar encendiendo y apagando el equipo, se recomienda al usuario que trate de corregir la interferencia con uno de los siguientes métodos:

- Reoriente o reubique la antena receptora.
- Aumente la separación entre el equipo y el receptor.
- Conecte el equipo en un tomacorriente de un circuito diferente al cual está conectado el receptor.
- Consulte al distribuidor o a un técnico experimentado de radio o TV para solicitar ayuda.

Garantía (sólo para EE.UU.; para otros países, consulte con su vendedor o distribuidor)

Garantía limitada de 3 años de QSC Audio Products

QSC Audio Products, LLC ("QSC") garantiza que sus productos estarán libres de materiales y/o mano de obra defectuosos y reemplazará las piezas defectuosas y reparará los productos que funcionen mal bajo esta garantía cuando el defecto ocurra bajo condiciones normales de instalación y uso, siempre y cuando la unidad se devuelva a nuestra fábrica, a una de nuestras estaciones autorizadas de servicio o a un distribuidor autorizado de QSC International mediante transportación prepagada con una copia del comprobante de compra (por ejemplo, el recibo de la compra). Esta garantía requiere que la inspección del producto devuelto indique, en nuestra opinión, un defecto de fabricación. Esta garantía no se extiende a ningún producto que haya estado sometido a uso indebido, negligencia, accidente, instalación incorrecta, o al que se haya quitado o modificado el código de la fecha. QSC tampoco será responsable por daños incidentales y/o emergentes. Esta garantía le otorga derechos legales específicos. Esta garantía limitada es transferible durante el período de la misma. La garantía de los productos QSC NO ES VÁLIDA si los productos se compraron de un distribuidor no autorizado o de un comerciante en línea, o si el número de serie original de fábrica se quita, altera o reemplaza de alguna manera. El daño o pérdida de cualquier software o datos que residan en el producto no está cubierto por la garantía. Al proporcionar servicio de reparación o reemplazo, QSC hará todos los esfuerzos razonables para reinstalar la configuración original del software del producto y las versiones de actualización subsiguientes, pero no ofrece la recuperación ni la transferencia del software o de los datos contenidos en la unidad a la que se dio servicio que no estaban incluidos originalmente en el producto.

Los clientes podrían tener derechos adicionales, que varían de un estado a otro o de un país a otro. En el caso de que las leyes locales anulen, prohíban o suspendan una disposición de esta garantía limitada, las disposiciones remanentes permanecerán en vigencia.

La garantía limitada de QSC es válida por un periodo de tres (3) años a partir de la fecha de compra en Estados Unidos y en muchos otros países (pero no en todos).

Si desea información sobre la garantía de QSC en países que no sean Estados Unidos, comuníquese con su distribuidor internacional de QSC autorizado. Puede encontrar una lista de los distribuidores internacionales de QSC en www.qscaudio.com.

Para registrar su producto QSC en línea, visite www.qscaudio.com y seleccione "Product Registration" (Registro del producto). Puede recibir respuesta a otras preguntas referentes a esta garantía llamando, enviando un mensaje electrónico o comunicándose con su distribuidor QSC autorizado.

Teléfono: 1-800-854-4079 en EE.UU. y Canadá, +1-714-754-6175 internacional. Correo electrónico: warranty@qscaudio.com.
Sitio web: www.qscaudio.com.

DECLARACIÓN DE LA RoHS

Los productos Q-Sys PS-X están en cumplimiento con la Directiva Europea 2002/95/EC – Restricción de sustancias peligrosas (Restriction of Hazardous Substances, RoHS).

Los productos Q-Sys PS-X están en cumplimiento con las directivas “RoHS para China”. Se proporciona el cuadro siguiente para la utilización del producto en China y sus territorios:

	Q-Sys PS-X					
部件名称 (Número de pieza)	有毒有害物质或元素 (Sustancias y elementos tóxicos o peligrosos)					
	铅 (Pb)	汞 (Hg)	镉 (Cd)	六价铬 (Cr(vi))	多溴联苯 (PBB)	多溴二苯醚 (PBDE)
电路板组件 (Conjuntos PCB)	X	0	0	0	0	0
机壳装配件 (Conjuntos de chasis)	X	0	0	0	0	0
<p>O: 表明这些有毒或有害物质在部件使用的同类材料中的含量是在 SJ/T11363_2006 极限的要求之下。 (O: Indica que esta sustancia tóxica o peligrosa contenida en todos los materiales homogéneos de esta pieza se encuentra por debajo del requisito límite de SJ/T11363_2006.)</p> <p>X: 表明这些有毒或有害物质在部件使用的同类材料中至少有一种含量是在 SJ/T11363_2006极限的要求之上。 (X: Indica que esta sustancia tóxica o peligrosa contenida en al menos uno de los materiales homogéneos usados en esta pieza se encuentra por arriba del requisito límite de SJ/T11363_2006.)</p>						

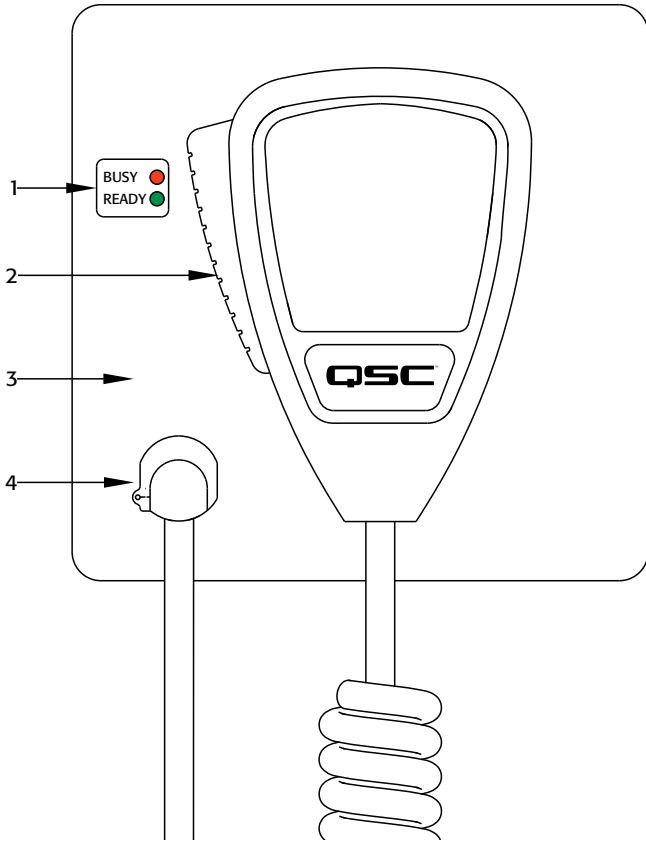
ES

Introducción

El Page Station Expander está diseñado para montarse en la pared, alojado en una caja eléctrica de pared de doble acoplamiento EU estándar y se conecta directamente a la parte posterior de la Q-Sys Page Station mediante un cable Cat 5e. La entrada de voz se proporciona a través de un micrófono dinámico de mano que se presiona para hablar. Un exclusivo sistema de acoplamiento magnético y el liberador de tensión del cable permiten flexibilidad en la colocación del micrófono cuando no está en uso, y a la vez ayudan a disuadir el robo o la remoción del micrófono. La combinación del Page Station Expander y la Page Station propiamente dicha proporcionan múltiples entradas para una zona común, por ejemplo, tanto el quiosco como la manga de abordaje de una puerta de embarque del aeropuerto pueden ser fácilmente servidas por esta combinación.

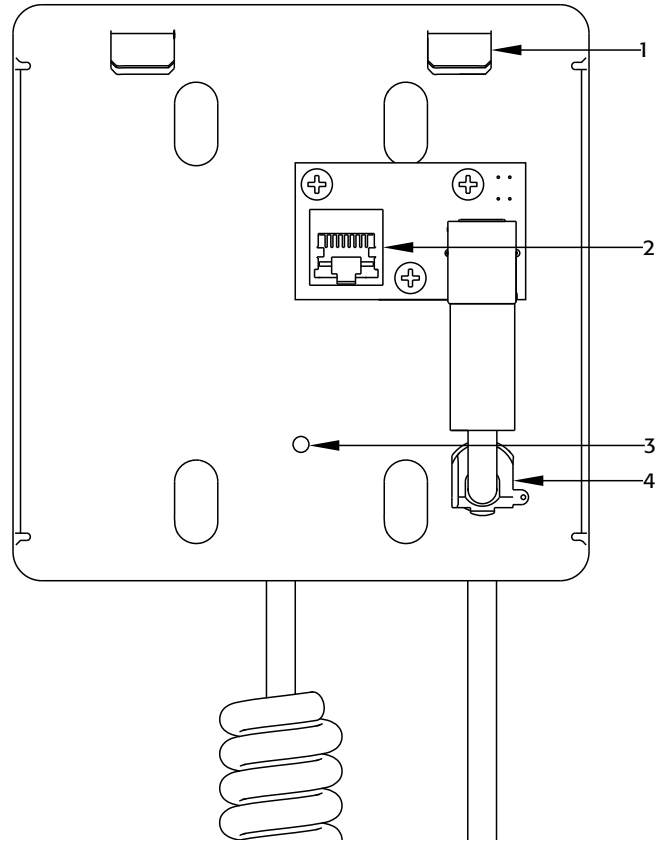
Si desea obtener información detallada sobre las Q-Sys Page Stations y la red Q-LAN, consulte la Guía del usuario de la Page Station y la ayuda en línea de Q-Sys Designer.

Características del Page Station Expander



– Figure 1 –

- | | |
|------------------------------------|-------------------------------------|
| 1. Indicadores LED Ocupado y Listo | 3. Superficie magnética |
| 2. Botón Presionar para hablar | 4. Liberador de tensión de fijación |



– Figure 2 –

- | | |
|---------------------------------------|-------------------------------------|
| 1. Lengüetas de montaje | 3. Orificio del tornillo de montaje |
| 2. Conector RJ-45 (a la Page Station) | 4. Liberador de tensión de fijación |

La red Q-LAN de Q-Sys

La solución Q-Sys (Figura 3) está diseñada para ser desplegada en una red Q-LAN de alto rendimiento de QSC. Q-LAN es una implementación de red patentada que reúne varios protocolos estándar en la industria en una solución de transporte de datos apropiada para entornos multimedia de presentaciones en vivo. Q-LAN ofrece velocidades de datos en gigabits, redundancia de dispositivos y redes, transferencias de datos de audio de punto flotante de 32 bits, y apoyo de latencia baja en despliegues de redes de área local. La sincronización exacta de los nodos en los extremos y la distribución de relojes de alta calidad quedan incorporadas en la solución Q-LAN utilizando el protocolo de tiempo de precisión IEEE-1588. El descubrimiento de los nodos en los extremos y la configuración automática de dichos nodos están incluidos en la solución utilizando protocolos estándar en la industria sobre una implementación de red IP basada en las normas usando componentes de hardware listos para usar.

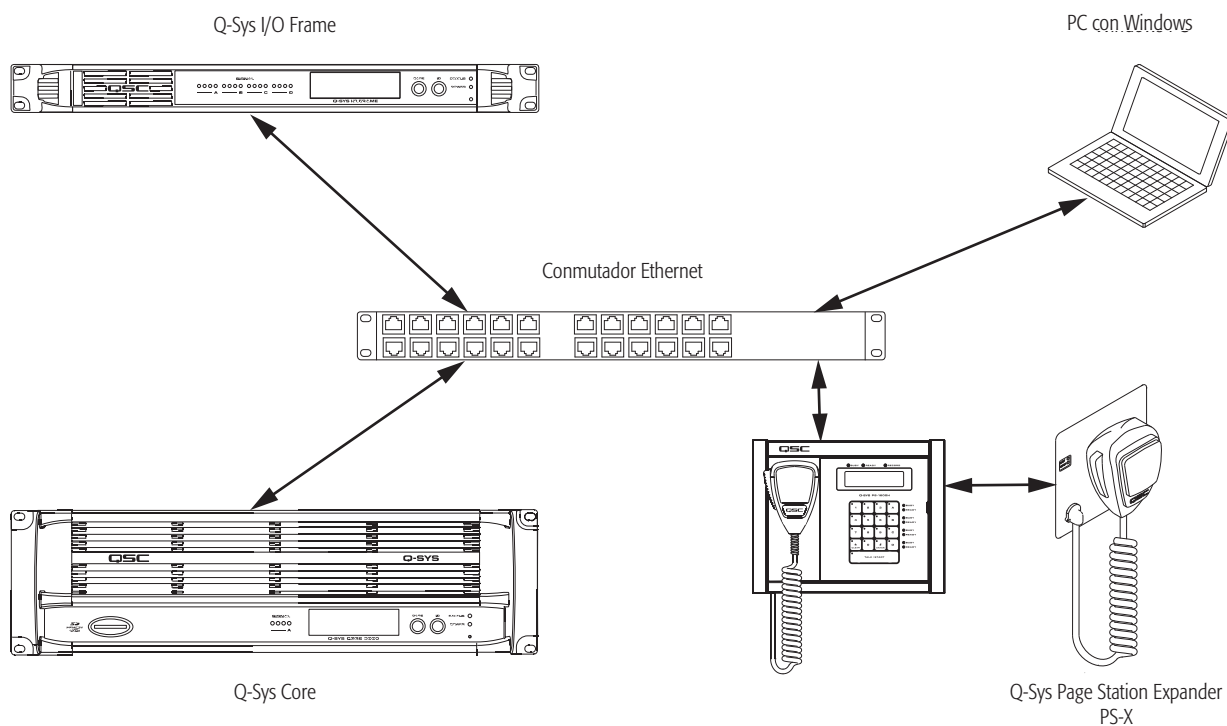
Figura 3 muestra una implementación de red Q-LAN muy sencilla con un procesador Q-Sys Core, un equipo Q-Sys I/O Frame, un Q-Sys PS-X Page Station Expander, un interruptor Ethernet y una PC con Q-Sys Designer.

Todos los dispositivos están conectados a un interruptor de Ethernet de 1000 Mbps administrado que incluye la calidad de servicio (QoS) apropiada idónea para una red en gigabits de alto rendimiento para apoyar aplicaciones multimedia.

El PS-X está configurado vía Q-Sys Designer cuando usted configura su Page Station.



NOTA: Sólo se requiere una PC durante la configuración inicial del sistema o cuando una PC es el medio preferido para proporcionar servicios permanentes de administración al diseñador u operador del sistema.



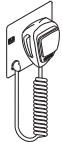
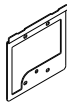
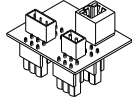
– Figure 3 –

- El equipo Q-Sys I/O Frame proporciona un punto de acceso de audio para el sistema Q-Sys proporcionando los medios para activar y desactivar el audio de la red Q-LAN.
- El procesador Q-Sys Core proporciona servicios de procesamiento, distribución y administración de la señal para el sistema Q-Sys. Todas las comunicaciones de audio y administración sensibles al tiempo atraviesan la red Q-LAN.
- La PC con Windows puede ser una computadora de escritorio o una portátil con Q-Sys Designer o la aplicación de administración remota Interfaz de Control del Usuario (User Control Interface, UCI). El sistema Q-Sys sólo requiere la PC durante la fase de diseño para la configuración del sistema. No se requiere la PC para la operación en tiempo de ejecución, si bien puede utilizarse para una administración permanente del sistema.
- El Q-Sys PS-X junto con la Q-Sys Page Station y el procesador Core proporcionan la capacidad de usar dos micrófonos dedicados para una sola Page Station en la misma área física.

Desembalaje

No hay precauciones especiales para el desembalaje. Sin embargo, se recomienda guardar los materiales originales de empaque para volver a utilizarlos en el caso raro de requerirse servicio. Si se requiere servicio y no está disponible el material original de empaque, asegúrese de que la unidad quede adecuadamente protegida para el envío (utilice una caja resistente de tamaño apropiado, suficiente material de empaque/acolchado para evitar el desplazamiento de la carga o daños por impacto) o llame al Grupo de Servicios Técnicos de QSC para solicitar material de empaque y una caja de reemplazo.

Lista de piezas PS-X incluidas en el empaque

Nombre de la pieza	Cant.	Descripción
Page Station Expander	1	
Soporte de montaje	1	
Adaptador del conector de la Page Station	1	
Tornillo de cabeza plana	1	#8-32, 0,5"
Hoja de información de advertencia	1	
Guía de inicio rápido de Q-Sys PS-X	1	TD-000358-00

Instalación

El Q-Sys PS-X se monta con una caja eléctrica de doble acoplamiento, aprobada por UL y de construcción nueva.

Requisitos generales

- El PS-X debe tener acceso a una conexión Cat 5e (RJ45 Clase 2) a la Q-Sys Page Station.
- El PS-X debe estar montado en una pared con una profundidad no menor de 2,38" (60,5 mm).
- El PS-X debe estar montado en un lugar en donde no obstruya el tráfico normal.
- El cable Cat 5e debe tener una longitud de 100 metros o menos.

Instalación del soporte de montaje a una caja eléctrica de doble acoplamiento, construcción nueva

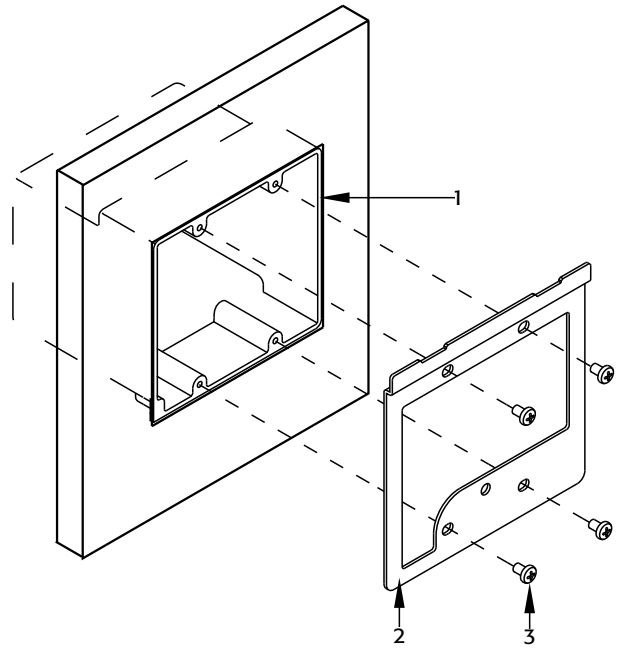


NOTA: El procedimiento de montaje de una caja de doble acoplamiento de construcción vieja es el mismo; sin embargo, no todas las cajas de construcción vieja funcionarán con el PS-X. Asegúrese de verificar el ajuste antes de instalar en la pared la caja de construcción vieja.

La caja eléctrica de doble acoplamiento debe ser aprobada por UL, y durante la construcción se debe instalar en la pared con el cable Cat 5e precableado.

Consulte Figura 4.

1. Coloque el soporte de montaje en la pared alineando los orificios del soporte (2) con los orificios de la caja de doble acoplamiento (1).
2. Use cuatro tornillos del soporte de montaje (3) y un destornillador apropiado para fijar el soporte de montaje en la caja de doble acoplamiento.

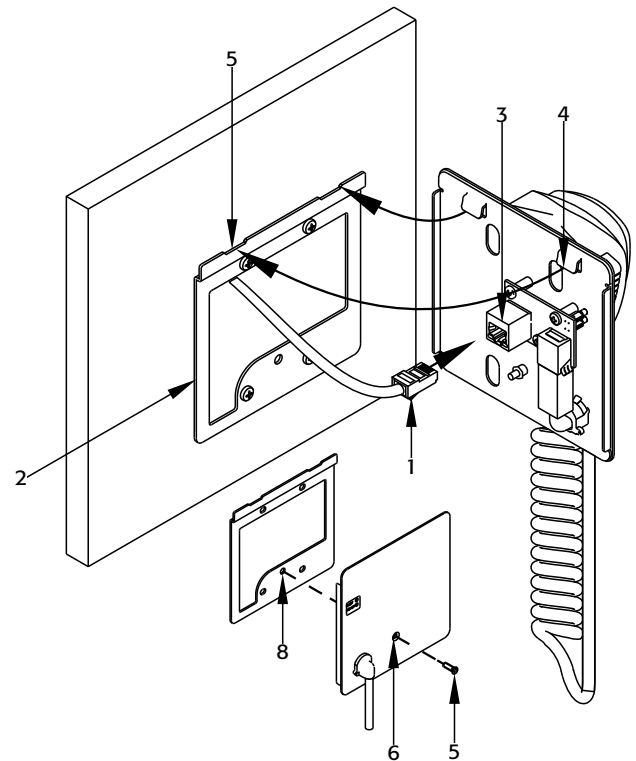


– Figure 4 –

Instalación del PS-X en el soporte de montaje

Consulte Figura 5.

1. Pase el cable Cat 5e (1) con un conector RJ45 clase 2 a través del soporte de montaje (2), y enchúfelo en el receptáculo RJ45 (3) que se encuentra en la parte posterior del PS-X.
2. Con cuidado incline la parte superior del PS-X hacia adelante (hacia la pared) y deslice el PS-X en el soporte de montaje (1) insertando las dos lengüetas de montaje (4) en los receptáculos de estas lengüetas (5). Asegúrese de que el cable pase cuidadosamente a la caja o la pared y que no esté atorado en ningún lugar.
3. Después de embragar las lengüetas, enderece el PS-X, jale ligeramente hacia abajo y empuje sobre la parte inferior.
4. Asegure el PS-X al soporte de montaje con un tornillo Phillips de cabeza embutida (5) insertado en el orificio (6) de la placa de acoplamiento del micrófono PS-X.



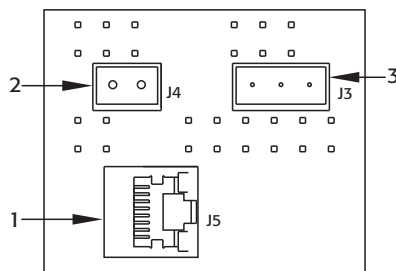
– Figure 5 –

Rotulado del adaptador del conector de la Page Station

Consulte Figura 6

Cuando conecta el adaptador a la Page Station, se usan los conectores GPIO y Mic/Line de la estación y los rótulos de la parte de atrás de la estación ya no son relevantes. Consulte los detalles en el Manual del usuario de la Page Station. Los siguientes conectores de la Page Station están disponibles para usarse.

1. Conector RJ-45 al PS-X (J5)
2. Aux Power (J4)
3. Line Out (J3)



– Figure 6 –

Requerimientos de la computadora e instalación del software

La configuración del PS-X requiere un procesador Q-Sys Core, una PC con el software Q-Sys Designer y una Q-Sys, ambas conectadas a la red Q-LAN. La versión más reciente de Q-Sys Designer se puede bajar del sitio Web de QSC (<http://www.qscaudio.com/>). Además, todos los procesadores Q-Sys Core incluyen un CD-ROM de Q-Sys Designer. Si desea más información referente a los requerimientos del sistema y las instrucciones de instalación, consulte las instrucciones de instalación de Q-Sys Designer en el sitio Web de QSC o en el Manual del usuario del hardware Q-Sys del procesador Core.

Conexiones

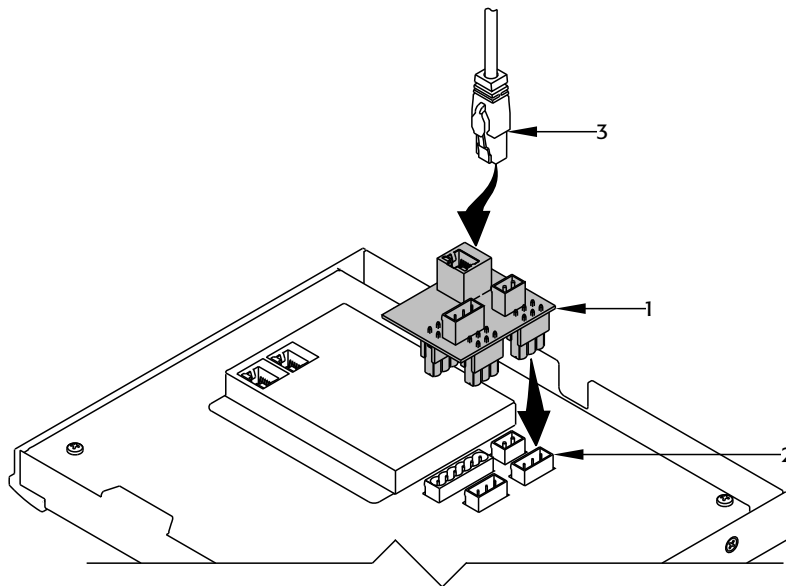
El Q-Sys Page Station se conecta a cualquiera de los modelos de la Q-Sys Page Station. Todo lo que se necesita es un cable Cat 5e cuyos extremos tengan un conector RJ-45 clase 2 y el adaptador del conector de la Page Station. El cable debe tener una longitud de 100 metros o menos.

Consulte **Figura 7**.

1. Enchufe el adaptador del conector de la Page Station (1) en la parte posterior de la Page Station (2) como se muestra.
2. Asegúrese de que el adaptador esté totalmente conectado y fíjelo.
3. Enchufe el conector RJ-45 del cable Cat 5e (3) en el receptáculo RJ-45 del adaptador.



NOTA: El otro extremo del cable Cat 5e se debe conectar al PS-X como se describió anteriormente en este documento.



– Figure 7 –

Monte o vuelva a montar la Page Station de acuerdo con las instrucciones del Manual del usuario de la Page Station.

Configuración de la Page Station para el PS-X en Q-Sys

Antes de poder usar el PS-X debe configurar la Page Station en Q-Sys Designer.

1. Inicie Q-Sys Designer en la PC.
2. Abra el diseño en el procesador Core apropiado.
3. En Q-Sys Designer, asegúrese de que la Page Station esté en el diseño, luego seleccione el componente Status (Estado) de la Page Station donde el PS-X está conectado.
4. En Propiedades (Propiedades) de la Page Station, ajuste Enable Expander (Activar extensor) en Yes (Sí).
5. Abra el componente Mic/Control de la Page Station. Ahora hay dos conjuntos de controles. Uno para el micrófono principal (Main Mic) y el otro para el extensor (Xpander). Use estos controles para ajustar los niveles correctos para el PS-X. Consulte la ayuda en línea para ver los detalles.

Ahora el PS-X está listo para usar. Ya no se requiere la PC para la operación de su sistema Q-Sys.

Uso del PS-X

En su mayor parte, el uso del PS-X depende de la configuración de la Page Station en el diseño creado por su diseñador del sistema para su instalación. Para hacer un anuncio de localización, el LED Ready (Listo) del PS-X debe estar iluminado, luego simplemente mantenga presionado el botón del micrófono de mano y comience a hablar. Cuando termine libere el botón. Revise la documentación de la Page Station, tanto el manual del usuario como la ayuda en línea, para ver la configuración de la Page Station.

Identificación del PS-X en Q-Sys Designer

Si tiene un gran número de PS-X en su diseño, puede ser difícil encontrar el componente del diseño que corresponde a una pieza de hardware específica. La manera de localizar el PS-X es encontrar la Page Station a la cual está conectado.

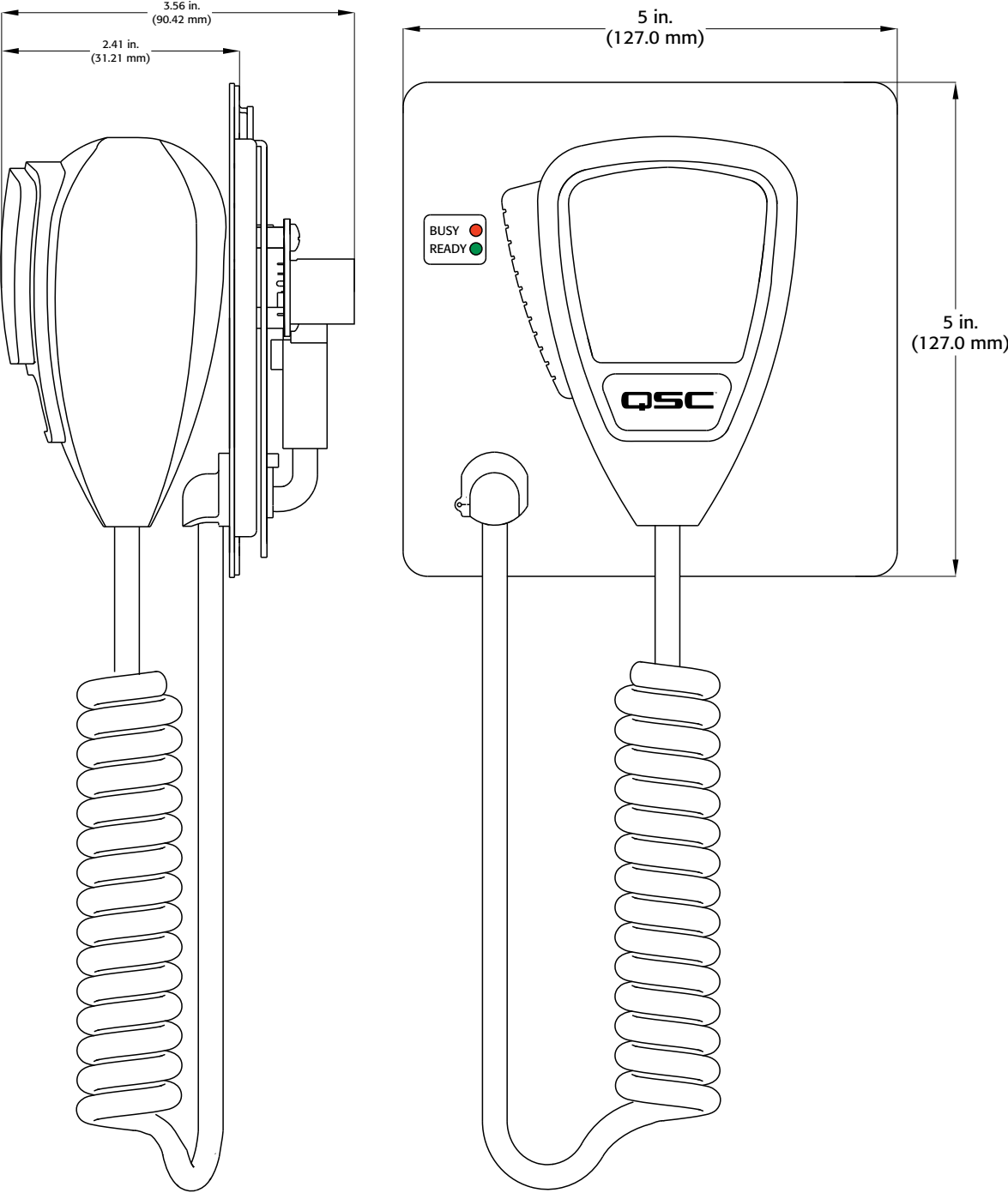
1. Haga clic en el botón ID del componente Status de la Page Station en Q-Sys Designer, o la estación de radiolocalización en el configurador Q-Sys. El LCD de la Page Station asociada destella.

Actualización del firmware

El PS-X no contiene firmware. Las actualizaciones del firmware se hacen en la Page Station. Consulte el manual del usuario de la Page Station o la ayuda en línea de Q-Sys Designer.

Dimensiones del PS-X

No se incluye el cable del micrófono en las dimensiones.



ES

- Figure 8 -

Especificaciones del PS-X

Panel frontal

Micrófono	Micrófono dinámico de mano que se presiona para hablar
Superficie de acoplamiento del micrófono	Material ferromagnético
LED de estado	Verde = Listo; Rojo = Ocupado
LED de estado de la fuente de potencia	Q-Sys Page Station GPIO Digital uno = TTL 3,3 VCC a 2 mA Digital cero es 0 V
Conectores del panel posterior	
RJ45	Conexión Cat 5e a una Q-Sys Page Station
Dimensiones (HWD)	
Superficie de acoplamiento del micrófono	5 x 5 x 3,56 pulg. (127,0 x 127,0 x 90,42 mm)
Peso de envío	2 lbs. (0,90 kg)



Contacto

Dirección postal

QSC Audio Products, LLC
1675 MacArthur Boulevard
Costa Mesa, CA 92626-1468 EE.UU.

Número principal

(714) 754-6175

World Wide Web

www.qscaudio.com

Ventas y comercialización

Voz

(714) 957-7100 Internacional
Línea telefónica sin costo (sólo EE.UU.) (800) 854-4079

FAX

(714) 754-6174

Dirección electrónica

info@qscaudio.com

Asistencia

Asistencia 24/7

QSC ofrece asistencia 24/7 solamente para los sistemas de audio conectados Q-Sys™.

Asistencia completa

Horario hábil: de lunes a viernes de 6 AM a 5 PM hora del Pacífico

Tel. 800-772-2834 (sólo EE.UU.)

Tel. +1 (714) 957-7150

Fax. +1 (714) 754-6173

Asistencia sobre Q-Sys en horas no hábiles y fines de semana solamente en emergencias*

Tel: +1-888-252-4836 (EE.UU./Canadá)

Tel: +1-949-791-7722 (fuera de EE.UU.)

* Para las llamadas en horas no hábiles se garantiza un tiempo de respuesta de 30 minutos de un miembro del equipo de Asistencia de Q-Sys ¡SOLAMENTE para sistemas Q-Sys!

Dirección electrónica

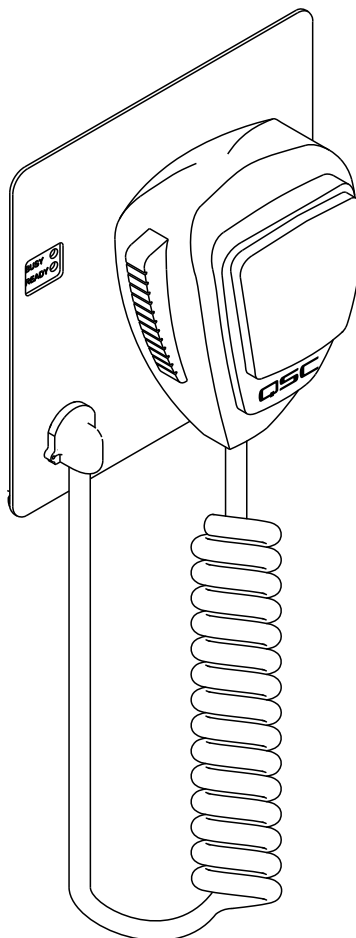
qsysupport@qscaudio.com

(no se garantiza una respuesta electrónica inmediata. Si su problema es URGENTE llame a los números telefónicos que se indican arriba.)

24/7
Q-Sys™ Customer Support

ES

PS-X - Page Station Expander



EXPLICATION DES TERMES ET DES SYMBOLES

La mention « **AVERTISSEMENT !** » indique des instructions concernant la sécurité personnelle. Risque de blessures ou de mort si les instructions ne sont pas suivies.

La mention « **ATTENTION !** » indique des instructions concernant des dégâts possibles pour le matériel. Risque de dégâts matériels non couverts par la garantie si ces instructions ne sont pas suivies.

La mention « **IMPORTANT !** » indique des instructions ou des informations vitales à l'exécution de la procédure.

La mention « **REMARQUE** » indique des informations utiles supplémentaires.



L'éclair fléché situé dans un triangle a pour objet de signaler à l'utilisateur la présence d'une tension « dangereuse » non isolée dans le boîtier du produit suffisante pour présenter un risque d'électrocution pour l'homme.



Le point d'exclamation dans un triangle équilatéral a pour objet de signaler à l'utilisateur la présence de consignes de sécurité et d'instructions importantes d'utilisation et de maintenance dans ce manuel.



CONSIGNES DE SÉCURITÉ IMPORTANTES



FR



AVERTISSEMENT!: POUR ÉCARTER LES RISQUES D'INCENDIE ET D'ÉLECTROCUTION, NE PAS EXPOSER CE MATÉRIEL À LA PLUIE OU L'HUMIDITÉ.

– La température ambiante maximale de fonctionnement est de 50 °C.

- Lire ces instructions.
- Conserver ces instructions.
- Respecter tous les avertissements.
- Suivre toutes les instructions.
- Ne pas utiliser cet appareil près de l'eau.
- Nettoyer uniquement avec un chiffon sec.
- Ne pas bloquer les bouches d'aération. Installer conformément aux instructions du fabricant.
- N'installer à proximité d'aucune source de chaleur comme des radiateurs, des registres de chaleur, des poêles ou d'autres appareils (y compris des amplis) qui dégagent de la chaleur.
- Utiliser uniquement les accessoires spécifiés par le fabricant.
- Débrancher l'appareil en cas d'orage électrique ou lorsqu'il est inutilisé pendant longtemps.
- Confier toutes les réparations à un personnel qualifié. Une réparation s'impose lorsque l'appareil a été endommagé d'une manière quelconque, par exemple endommagement du cordon d'alimentation ou de sa fiche, déversement de liquide ou chute d'objets sur ou à l'intérieur de l'appareil, exposition de l'appareil à la pluie ou l'humidité, fonctionnement anormal ou chute de l'appareil.
- Respecter tous les codes locaux applicables.
- Consulter un technicien professionnel diplômé en cas de doute ou de question concernant l'installation physique de l'équipement.

Conçu et assemblé aux États-Unis

Déclaration FCC



REMARQUE: Suite à des tests, cet appareil s'est avéré conforme aux limites d'un appareil numérique de classe B, dans le cadre de la section 15 des règlements de la FCC.

Ces limites ont été conçues pour fournir une protection raisonnable contre les interférences nuisibles dans une installation résidentielle. Cet appareil produit, utilise et peut rayonner une énergie haute fréquence et, s'il n'est pas installé et utilisé conformément aux instructions, il risque d'interférer avec les communications radio. Toutefois, il n'est pas possible de garantir l'absence d'interférences dans une installation particulière. Si cet appareil cause des interférences nuisibles à la réception radio ou TV, ce qui peut être déterminé en l'éteignant puis en le rallumant, l'utilisateur est encouragé à essayer de corriger l'interférence en prenant l'une au moins des mesures suivantes :

- Réorientation ou déplacement de l'antenne réceptrice.
- Éloignement de l'appareil par rapport au récepteur.
- Branchement de l'appareil sur une prise secteur appartenant à un autre circuit que celui du récepteur.
- Sollicitation de l'assistance du revendeur ou d'un spécialiste radio/TV.

Garantie (États-Unis seulement ; dans les autres pays, consulter le revendeur ou le distributeur)

QSC Audio Products – Garantie limitée de 3 ans

QSC Audio Products, LLC (« QSC ») garantit que ses produits sont dépourvus de tout vice de fabrication et/ou de matériel et remplacera les pièces défectueuses et réparera les produits qui fonctionnent mal dans le cadre de cette garantie si le défaut survient dans des conditions normales d'installation et d'utilisation – à condition que l'appareil soit retourné à l'usine, à l'un de nos centres de réparation agréés ou à un distributeur international QSC agréé en port pré-payé, accompagné d'un justificatif d'achat (facture, par ex.). Cette garantie prévoit que l'examen du produit retourné doit indiquer, selon notre jugement, un défaut de fabrication. Cette garantie ne s'étend à aucun produit qui a été soumis à une utilisation abusive, un acte de négligence, un accident, une installation incorrecte ou un produit dont le code-date a été retiré ou effacé. QSC ne pourra être tenue pour responsable de dommages accessoires et/ou indirects. Cette garantie vous accorde des droits spécifiques. Cette garantie limitée est librement cessible durant sa période de validité. La garantie portant sur les produits QSC n'est PAS VALABLE si les produits ont été achetés chez un revendeur/vendeur en ligne non agréé, ou si le numéro de série de l'usine a été retiré, effacé ou remplacé d'une manière quelconque. L'altération ou la perte de tout logiciel ou toute donnée résidant sur le produit n'est pas couverte par la garantie. Pour tout service de réparation ou de remplacement, QSC consentira des efforts raisonnables pour réinstaller le logiciel du produit à sa configuration initiale, ainsi que les mises à jour ultérieures, mais n'assurera pas la récupération ou le transfert de logiciel ou de données contenues sur l'appareil réparé ne figurant pas au départ sur le produit.

Les clients pourront avoir des droits supplémentaires, qui peuvent varier d'un État ou d'un pays à l'autre. Si une disposition de cette garantie limitée est nulle, interdite ou périmée en vertu des lois locales, les dispositions restantes seront toujours en vigueur.

La garantie limitée QSC est valide pendant une période de trois (3) ans à partir de la date d'achat aux États-Unis et de nombreux autres pays (mais pas tous).

Pour des informations sur la garantie QSC dans d'autres pays que les États-Unis, contactez votre distributeur international QSC agréé. La liste des distributeurs internationaux QSC est disponible à www.qscaudio.com.

Pour enregistrer votre produit QSC en ligne, allez à www.qscaudio.com et sélectionnez « Product Registration ». Pour toute autre question sur cette garantie, appelez, envoyez un courriel ou contactez votre distributeur QSC agréé.

Téléphone : 1-800-854-4079 (États-Unis et Canada), +1-714-754-6175 (international), **Courriel :** warranty@qscaudio.com, **site Web :** www.qscaudio.com.

DÉCLARATION RoHS

Les produits Q-Sys PS-X sont conformes à la Directive européenne 2002/95/CE – Restriction d'utilisation de substances dangereuses pour l'environnement (RoHS).

Les produits Q-Sys PS-X sont conformes aux directives RoHS chinoises. Le tableau suivant est fourni pour une utilisation du produit en Chine et sur ses territoires :

	Q-Sys PS-X					
部件名称 (nom de pièce)	有毒有害物质或元素 (substances et éléments toxiques ou dangereux)					
	铅 (Pb)	汞 (Hg)	镉 (Cd)	六价铬 (Cr(vi))	多溴联苯 (PBB)	多溴二苯醚 (PBDE)
电路板组件 (cartes de circuits imprimés)	X	O	O	O	O	O
机壳装配件 (châssis)	X	O	O	O	O	O

O: 表明这些有毒或有害物质在部件使用的同类材料中的含量是在 SJ/T11363_2006 极限的要求之下。
(O : Indique que cette substance toxique ou dangereuse contenue dans tous les matériaux homogènes pour cette pièce se situe en dessous de la limite exigée dans SJ/T11363_2006.)

X: 表明这些有毒或有害物质在部件使用的同类材料中至少有一种含量是在 SJ/T11363_2006极限的要求之上。
(X : indique que cette substance toxique ou dangereuse contenue dans au moins un des matériaux homogènes utilisés pour cette pièce est au-dessus de la limite indiquée dans SJ/T11363_2006.)

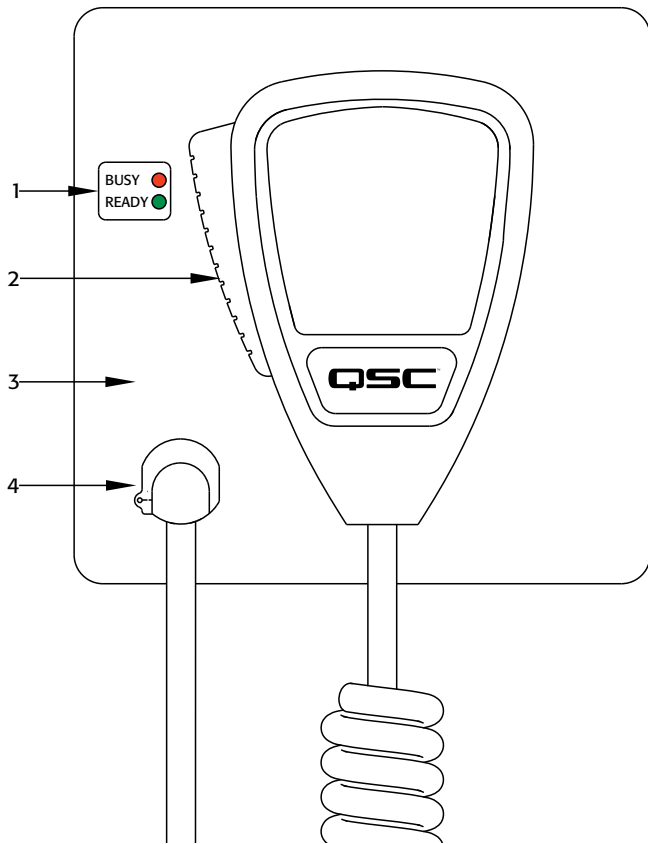
FR

Introduction

Le PS-X est conçu pour être monté sur un mur dans un boîtier mural électrique double standard et se branche directement sur l'arrière d'une Q-Sys Page Station via un câble Cat 5e. L'entrée vocale est fournie via un microphone à bouton-poussoir de conversation dynamique portable. Un système d'amarrage magnétique unique et le réducteur de tension donnent une certaine flexibilité de placement du microphone lorsqu'il n'est pas utilisé, mais dissuadent les voleurs et le retrait du microphone. La combinaison du PS-X et de la Page Station fournit des entrées multiples pour une zone commune ; par exemple, le kiosque et la passerelle d'une porte d'embarquement peuvent facilement être desservis par cette combinaison.

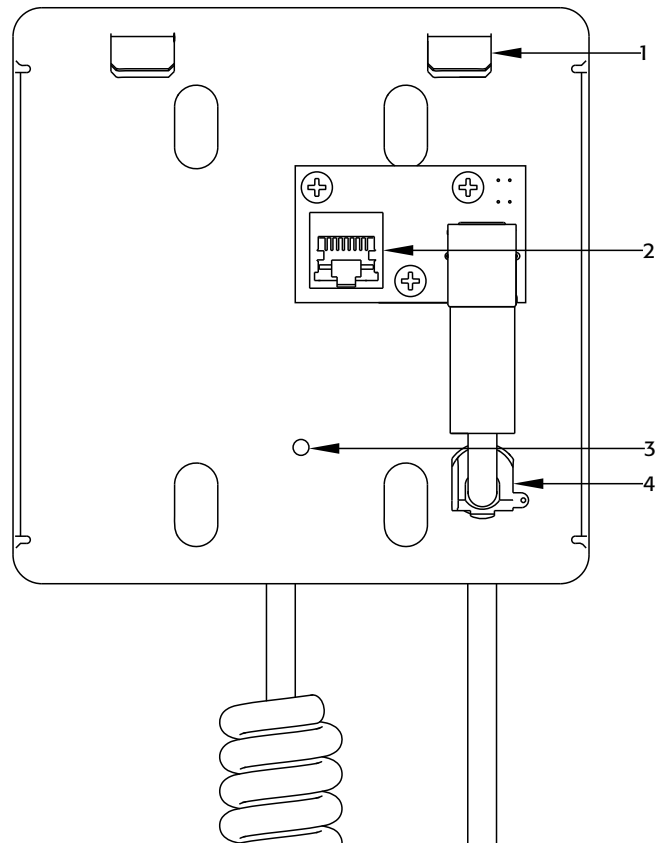
Pour des détails sur les Q-Sys Page Stations et le réseau Q-LAN, voir le guide de l'utilisateur de la Page Station et l'aide en ligne de Q-Sys Designer.

Caractéristiques et fonctions du PS-X



– Figure 1 –

- | | |
|------------------------------------|---------------------------------------|
| 1. Voyant Occupé et Prêt | 3. Surface magnétique |
| 2. Bouton-poussoir de conversation | 4. Réducteur de tension verrouillable |



– Figure 2 –

- | | |
|---|---------------------------------------|
| 1. Onglets de montage | 3. Trou de vis de fixation |
| 2. Connecteur RJ-45 (à la Page Station) | 4. Réducteur de tension verrouillable |

Réseau Q-Sys Q-LAN

La solution Q-Sys (Figure 3) a été conçue pour être déployée sur un réseau Q-LAN haute performance de QSC. Q-LAN est un réseau propriétaire qui réunit plusieurs protocoles standard dans l'industrie en une solution de transport de données appropriée aux environnements multimédia des spectacles en live. Q-LAN offre des débits de données de l'ordre du gigabit, une redondance périphérique et réseau, des transferts de données audio à virgule flottante 32 bits et un faible temps d'attente sur les déploiements de réseaux locaux. La synchronisation précise des nœuds terminaux et la distribution d'horloge de haute qualité sont intégrées à la solution Q-LAN à l'aide du protocole de temps de précision IEEE-1588. La découverte et la configuration automatique de nœuds terminaux sont incluses à la solution à l'aide de protocoles standard dans l'industrie sur un réseau IP normalisé qui utilise du matériel standard.

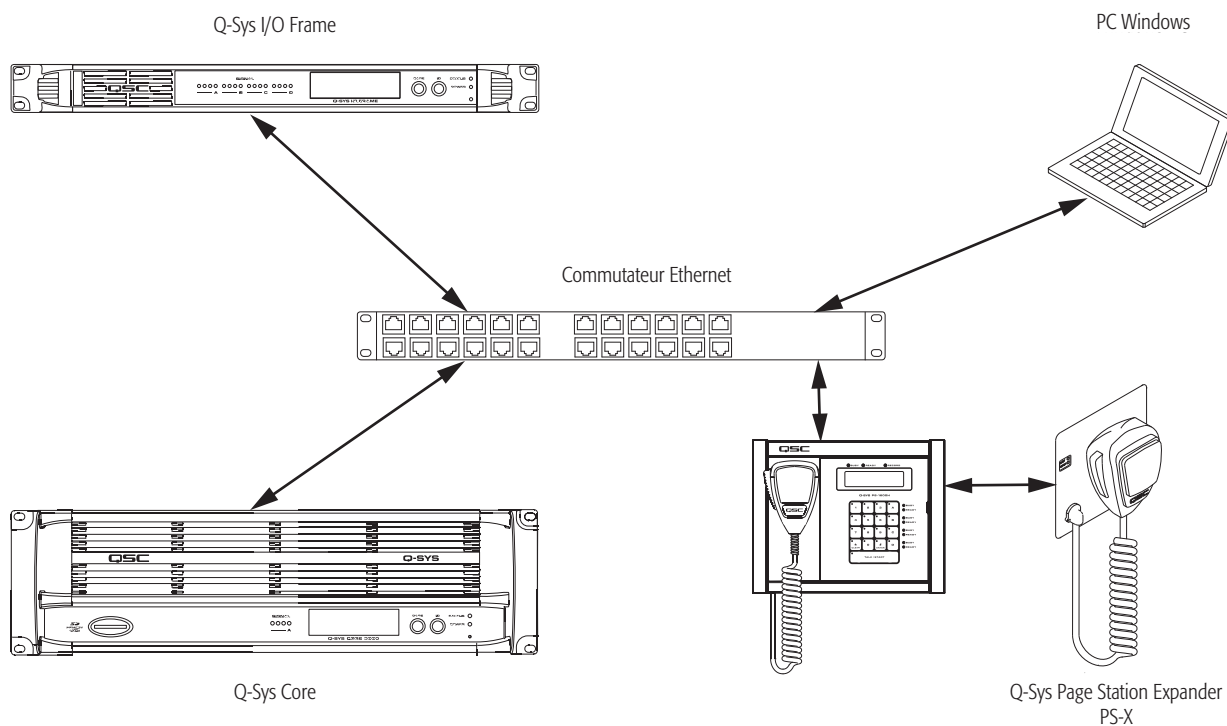
La Figure 3 illustre un réseau Q-LAN très simple comportant un Q-Sys Core Processor, un Q-Sys I/O Frame, un Q-Sys PS-X Page Station Expander, un commutateur Ethernet et un PC exécutant Q-Sys Designer.

Tous les périphériques sont connectés à un commutateur Ethernet 1000 Mbps qui inclut la QoS (Quality of Service) adaptée à un réseau gigabit haute performance pour la prise en charge des applications multimédia.

Le PS-X est configuré via Q-Sys Designer lors de la configuration de la Page Station.



REMARQUE: Un PC est uniquement requis durant la configuration initiale du système ou quand un PC est la méthode préférée pour les prestations de service de gestion continues au concepteur ou à l'opérateur du système.




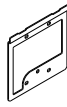
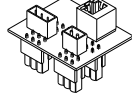
– Figure 3 –

- Le Q-Sys I/O Frame fournit un point d'accès audio au système Q-Sys en permettant d'obtenir du son sur le réseau Q-LAN et en dehors.
- Le Q-Sys Core Processor assure les services de traitement, distribution et gestion du signal pour le système Q-Sys. Toutes les communications de gestion et audio temporaires traversent le réseau Q-LAN.
- Le PC Windows peut être un micro-ordinateur ou un ordinateur portable exécutant Q-Sys Designer ou l'application de gestion à distance User Control Interface (UCI). Le PC est uniquement requis par le système Q-Sys durant la phase de conception pour configurer le système. Le PC n'est pas requis pour l'utilisation, bien qu'il puisse être utilisé pour la gestion continue du système.
- Le Q-Sys PS-X, utilisé en conjonction avec la Q-Sys Page Station et le Core Processor, permettent l'utilisation de deux microphones dédiés pour une Page Station dans la même zone physique.

Déballage

Le déballage ne fait l'objet d'aucune précaution particulière. On recommande toutefois de conserver le matériel d'emballage d'origine pour réutilisation dans l'éventualité rare d'une réparation nécessaire. En cas de réparation nécessaire et en l'absence de matériel d'emballage d'origine, s'assurer que l'appareil est correctement protégé pour l'expédition (utiliser un carton solide de la taille appropriée, du matériel d'emballage/rembourrage suffisant afin d'éviter le déplacement de la charge et les dégâts causés par des chocs) ou appeler le service technique QSC pour obtenir du matériel d'emballage et un carton de remplacement.

Liste de colisage du PS-X

Nom du composant	Qté	Description
PS-X – Page Station Expander	1	
Support de fixation	1	
Adaptateur de connecteur Page Station	1	
Vis à tête plate	1	#8-32, 0,5"
Feuille d'avertissements	1	
Guide de mise en route rapide du Q-Sys PS-X	1	TD-000358-00

FR

Installation

Le Q-Sys PS-X est monté en utilisant une nouvelle construction, listée UL, dans un boîtier électrique double.

Exigences générales

- Le PS-X doit avoir accès via une connexion Cat 5e (RJ45 Classe 2) à la Q-Sys Page Station associée.
- Le PS-X doit être monté dans un mur ne devant pas mesurer moins de 60,5 mm d'épaisseur.
- Le PS-X doit être monté à un endroit où il ne gênera pas le passage.
- Le câble Cat 5e ne doit pas mesurer plus de 100 m.

Montage du support de fixation sur un boîtier électrique double – Nouvelle construction

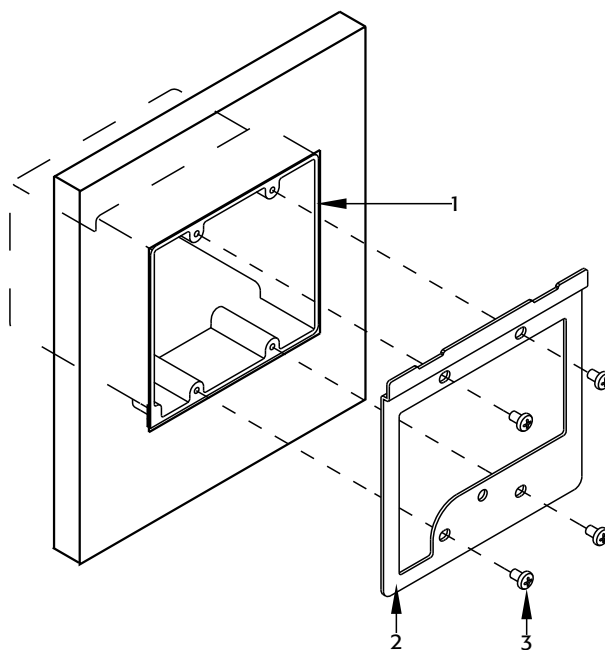


REMARQUE: La procédure de montage pour un boîtier électrique double de construction ancienne est la même, mais les boîtiers de construction ancienne ne fonctionneront pas avec le PS-X. Vérifier l'ajustement avant d'installer le boîtier de construction ancienne dans le mur.

Le boîtier électrique double doit être listé UL et installé dans le mur, durant la construction, avec le câble Cat 5e précâblé.

Voir Figure 4.

1. Placer le support de fixation sur le mur en alignant ses trous (2) sur ceux du boîtier double (1).
2. Utiliser les quatre vis du support de fixation (3) et un tournevis approprié pour fixer le support au boîtier double.

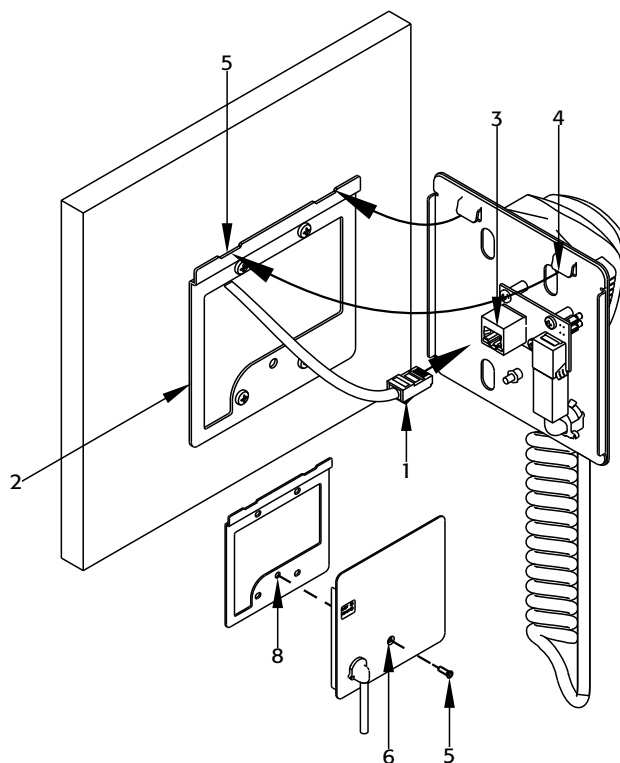


– Figure 4 –

Montage du PS-X au support de fixation

Voir Figure 5.

1. Enfiler le câble Cat 5e (1) avec un connecteur RJ45 classe 2 dans le support de fixation (2), puis le brancher sur la prise RJ45 (3) à l'arrière du PS-X.
2. Incliner avec précaution le haut du PS-X vers l'avant (vers le mur), puis glisser le PS-X sur le support de fixation (1) en insérant les deux onglets de montage (4) dans les fentes qui leur sont réservées (5). Veiller à enfiler le câble dans le boîtier ou le mur sans qu'il ne se coince.
3. Une fois les onglets enclenchés dans les fentes, redresser le PS-X, le tirer légèrement vers le bas et le pousser au fond.
4. Fixer le PS-X au support à l'aide d'une vis à tête fraisée cruciforme (5) insérée dans le trou (6) de la plaque d'amarrage du microphone du PS-X.



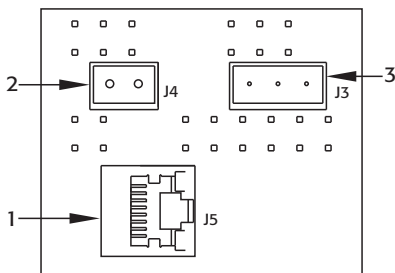
– Figure 5 –

Étiquetage de l'adaptateur du connecteur de la Page Station

Voir Figure 6

Le branchement de l'adaptateur à la Page Station s'effectue via les connecteurs GPIO et Mic/Line de la Page Station, après quoi les étiquettes au dos de la Page Station ne sont plus pertinentes. Pour des détails, voir le manuel de l'utilisateur de la Page Station. Les connecteurs suivants de la Page Station sont utilisables.

1. Connecteur RJ-45 de branchement sur le PS-X (J5)
2. Alimentation aux. (J4)
3. Sortie de ligne (J3)



– Figure 6 –

Configuration minimale et installation du logiciel

La configuration du PS-X exige un Q-Sys Core Processor, un PC exécutant le logiciel Q-Sys Designer et une Q-Sys Page Station connectés au Q-LAN. La dernière version de Q-Sys Designer peut être téléchargée sur le site Web QSC (<http://www.qscaudio.com/>). Par ailleurs, tous les Q-Sys Core Processors incluent un CD-ROM Q-Sys Designer. Pour plus d'informations sur la configuration système minimum et les instructions d'installation, consulter les instructions d'installation Q-Sys Designer sur le site Web QSC ou le manuel de l'utilisateur du Q-Sys Core Processor.

Branchements

Le Q-Sys PS-X se connecte à n'importe quel modèle de Q-Sys Page Station. Un câble Cat 5e, terminé à chaque extrémité par un connecteur RJ-45 Classe 2, et l'adaptateur de connecteur de Page Station sont tout ce dont vous avez besoin. Le câble ne doit pas mesurer plus de 100 m.

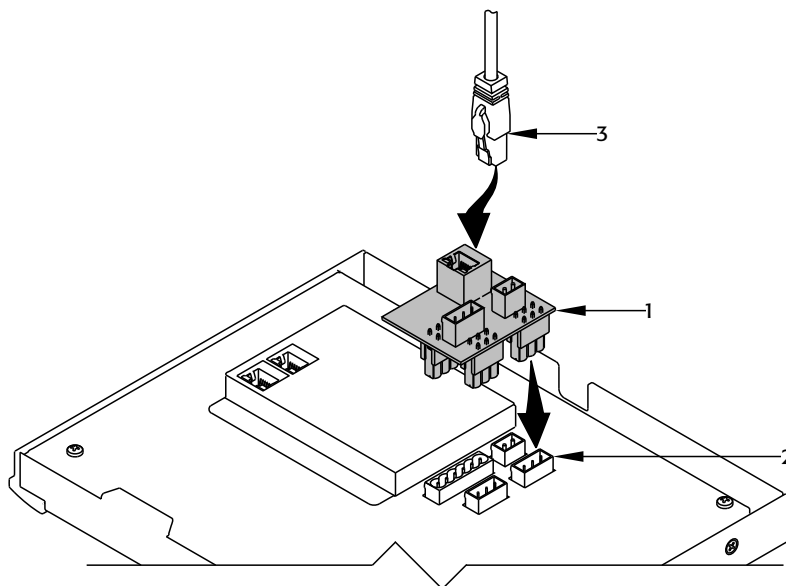
Voir Figure 7.

1. Brancher l'adaptateur de connecteur de Page Station (1) sur l'arrière de la Page Station (2), comme illustré.
2. Veiller à l'insérer à fond et à bien le fixer en place.
3. Brancher le connecteur RJ-45 du câble Cat 5e (3) sur la prise RJ-45 de l'adaptateur.



REMARQUE: L'autre extrémité du câble Cat 5e doit être connectée au PS-X comme décrit plus haut dans ce document.

Monter ou remonter la Page Station conformément au manuel de l'utilisateur de la Page Station.



– Figure 7 –

Configuration de la Page Station pour le PS-X dans Q-Sys Designer

Avant d'utiliser le PS-X, la Page Station doit être configurée dans Q-Sys Designer.

1. Démarrer Q-Sys Designer sur le PC.
2. Ouvrir le concept utilisant le Core approprié.
3. Dans Q-Sys Designer, veiller à ce que la Page Station apparaisse dans le concept, puis sélectionner le composant Status de la Page Station auquel le PS-X est connecté.
4. Sous les Propriétés de la Page Station, régler Enable Expand sur Yes.
5. Ouvrir le composant Mic/Control correspondant à la Page Station. Il y a désormais deux jeux de commandes. L'un pour le microphone principal, l'autre pour l'Expand (Xpander). Utilisez ces commandes pour régler les niveaux corrects pour le PS-X. Pour des détails, voir l'aide en ligne.

Le PS-X est désormais prêt à l'emploi. Le PC n'est plus requis pour le fonctionnement de votre système Q-Sys.

Utilisation du PS-X

Pour l'essentiel, l'utilisation du PS-X dépend de la configuration de la Page Station dans le concept créé pour l'installation par le concepteur du système. Pour émettre un appel, le voyant Ready du PS-X doit être allumé ; appuyer simplement sur le bouton du microphone portable et commencer à parler. Relâcher le bouton une fois l'appel terminé. Pour la configuration de la Page Station, consulter la documentation de la Page Station (manuel de l'utilisateur et aide en ligne).

Identification du PS-X dans Q-Sys Designer

Si le concept comporte un grand nombre de PS-X, il pourra être difficile de trouver le composant du concept correspondant à un équipement spécifique. Pour localiser le PS-X, il faut localiser la Page Station à laquelle il est connecté.

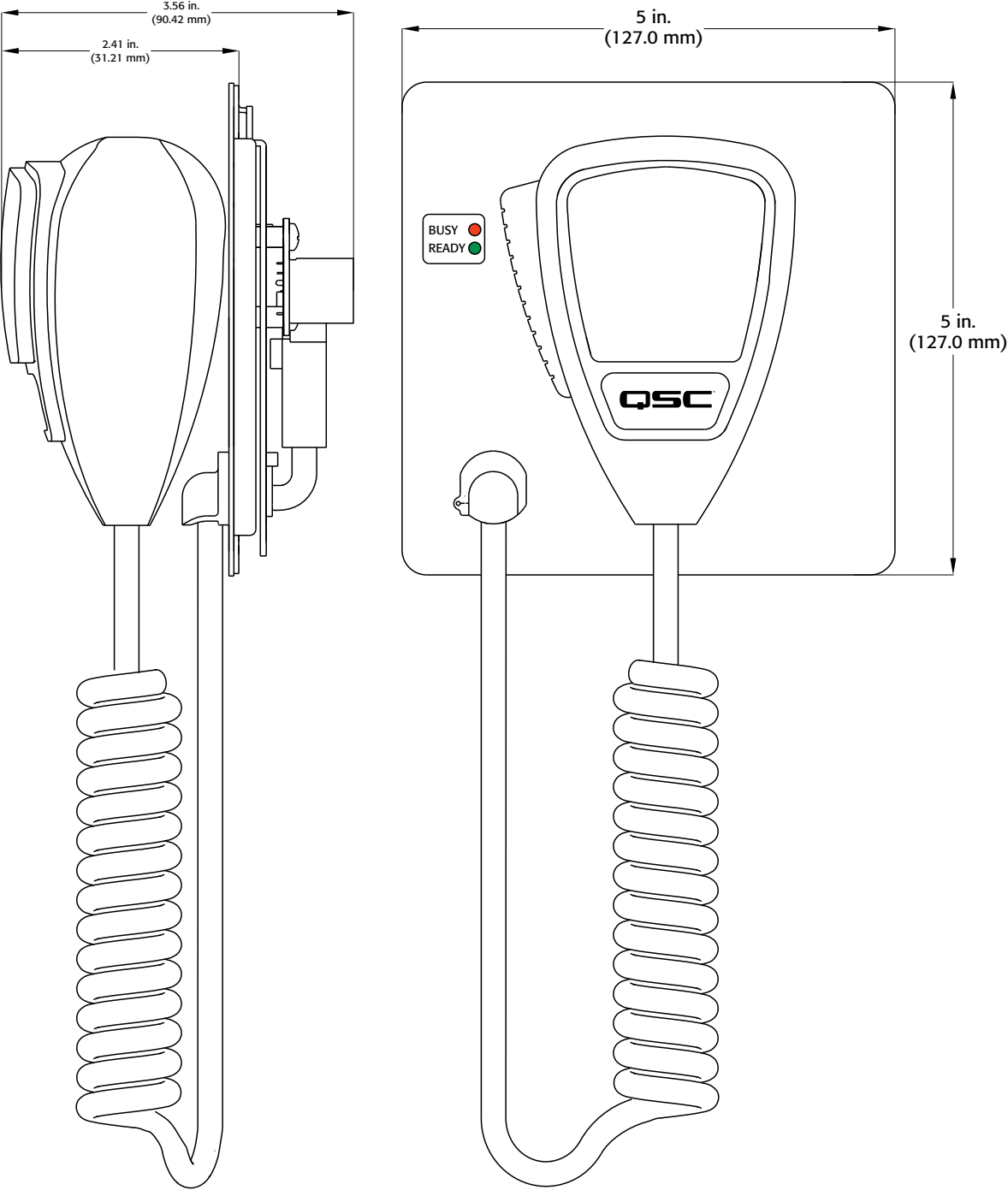
1. Cliquer sur le bouton ID du composant Status de la Page Station dans Q-Sys Designer, ou sur la Page Station dans Q-Sys Configurator. L'affichage de la Page Station correspondante clignote.

Mise à jour du micrologiciel

Aucun micrologiciel ne réside dans le PS-X. Les mises à jour du micrologiciel sont faites sur la Page Station. Voir le manuel de l'utilisateur de la Page Station ou l'aide en ligne Q-Sys Designer.

Dimensions du PS-X

Le cordon du microphone n'est pas inclus dans les dimensions.



FR

- Figure 8 -

Caractéristiques techniques du PS-X

Panneau avant

Microphone	Microphone à bouton-poussoir de conversation dynamique portable
Surface d'amarrage du microphone	Matériau ferromagnétique
Voyant d'état	Vert = Prêt, Rouge = Occupé
Alimentation des voyants d'état	GPIO de la Q-Sys Page Station Un numérique = TTL 3,3 V(-) à 2 mA Zéro numérique = 0 V
Connecteurs du panneau arrière	
RJ45	Connexion Cat 5e à une Q-Sys Page Station
Dimensions (HxlxP)	
Surface d'amarrage du microphone	5 in. x 5 in. x 3,56 in. 127 mm x 127 mm x 90,42 mm
Poids brut	0,90 kg



Contact

Adresse

QSC Audio Products, LLC
1675 MacArthur Boulevard
Costa Mesa, CA 92626-1468 États-Unis

Numéro principal

(714) 754-6175

Site Web

www.qscaudio.com

Ventes & Marketing

Téléphone

(714) 957-7100 International
Numéro vert (États-Unis seulement) (800) 854-4079

Télécopie

(714) 754-6174

E-mail

info@qscaudio.com

Support technique

Support technique 24/7

QSC propose un support technique 24/7 sur les systèmes audio en réseau Q-Sys™ seulement.

Support technique complet

Heures d'ouverture : 6 h à 17 h (heure de la côte Pacifique (du lundi au vendredi)

Tél. 800-772-2834 (États-Unis seulement)

Tél. +1 (714) 957-7150

Télécopie +1 (714) 754-6173

Support technique après heures d'ouverture et week-end Q-Sys – urgences seulement*

Tél. : +1-888-252-4836 (États-Unis/Canada)

Tél. : +1-949-791-7722 (hors États-Unis)

* Un temps de réponse de 30 minutes d'un membre de l'équipe de support technique Q-Sys est garanti pour les appels après les heures d'ouverture pour les Q-Sys SEULEMENT !

E-mail

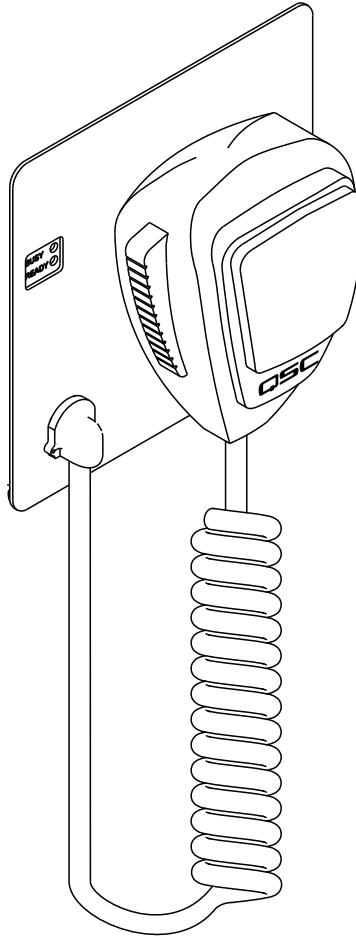
qsysupport@qscaudio.com

(réponse immédiate par e-mail non garantie. Pour les problèmes URGENTS, utiliser les numéros de téléphone ci-dessus.)



FR

PS-X – Page Station Expander



ERLÄUTERUNG DER BEGRIFFE UND SYMBOLE

Der Begriff **ACHTUNG!** kennzeichnet Anweisungen, die die persönliche Sicherheit betreffen. Werden die Anweisungen nicht befolgt, können Körperverletzungen oder tödliche Verletzungen die Folge sein.

Der Begriff **VORSICHT!** kennzeichnet Anweisungen, die mögliche Geräteschäden betreffen. Werden diese Anweisungen nicht befolgt, können Geräteschäden verursacht werden, die eventuell nicht von der Garantie gedeckt sind.

Der Begriff **WICHTIG!** kennzeichnet Anweisungen oder Informationen, die zur erfolgreichen Durchführung des Verfahrens unerlässlich sind.

Der Begriff **HINWEIS** verweist auf weitere nützliche Informationen.



Das aus einem Blitz mit einer Pfeilspitze bestehende Symbol in einem Dreieck soll den Benutzer auf das Vorhandensein nicht isolierter, gefährlicher Spannungen innerhalb des Gehäuses aufmerksam machen, die stark genug sein können, um einen elektrischen Schlag zu verursachen.



Das Ausrufezeichen in einem Dreieck soll den Benutzer auf das Vorhandensein wichtiger Sicherheits-, Betriebs- und Wartungsanleitungen in diesem Handbuch aufmerksam machen.



WICHTIGE SICHERHEITSHINWEISE



DE



ACHTUNG!: Zur Vermeidung von Bränden und Stromschlägen darf diese Ausrüstung weder Regen noch Feuchtigkeit ausgesetzt werden.

- Die maximale Temperatur für die Betriebsumgebung beträgt 50 °C.

- Diese Anleitung sorgfältig durchlesen.
- Diese Anleitung gut aufbewahren.
- Alle Warnhinweise beachten.
- Alle Anweisungen befolgen.
- Dieses Gerät nicht in Wassernähe verwenden.
- Nur mit einem trockenen Tuch reinigen.
- Keine Lüftungsöffnungen blockieren. Zur Installation die Anleitung des Herstellers beachten.
- Nicht in der Nähe von Wärmequellen wie Heizkörpern, Warmluftschiebern, Öfen oder anderen Geräten (einschließlich Verstärkern) aufstellen, die Wärme abstrahlen.
- Nur vom Hersteller spezifiziertes Zubehör verwenden.
- Das Netzkabel dieses Geräts während Gewittern, oder wenn es längere Zeit nicht benutzt wird, von der Steckdose abziehen.
- Wartungsarbeiten nur von qualifiziertem Instandhaltungspersonal ausführen lassen. Das Gerät muss immer dann gewartet werden, wenn es auf irgendeine Weise beschädigt wurde, z. B. wenn das Netzkabel oder der Netzstecker beschädigt ist, Flüssigkeiten auf dem Gerät verschüttet wurden oder Gegenstände in das Gerät gefallen sind, das Gerät Regen oder Feuchtigkeit ausgesetzt wurde, es nicht normal funktioniert oder fallen gelassen wurde.
- Alle anwendbaren örtlichen Vorschriften beachten.
- In Zweifelsfällen oder bei Fragen zur Installation eines Geräts sollten Sie einen qualifizierten Techniker hinzuziehen.

In den USA konstruiert und montiert.

FCC-Erklärung



HINWEIS: Dieses Gerät wurde getestet und gemäß Teil 15 der FCC-Regeln als in Übereinstimmung mit den Grenzwerten für ein digitales Gerät der Klasse B befandlich befunden.

Diese Grenzwerte sollen einen angemessenen Schutz vor schädlichen Empfangsstörungen bei einer Installation in Wohnbereichen bieten. Dieses Gerät erzeugt und nutzt Hochfrequenzenergie und kann diese ausstrahlen. Wenn es nicht in Übereinstimmung mit der Gebrauchsanleitung installiert und benutzt wird, kann es Störungen der Funkkommunikation verursachen. Es gibt jedoch keine Garantie dafür, dass in einer bestimmten Installation keine Störungen auftreten. Sollte dieses Gerät den Radio- und Fernsehempfang stören, was sich durch Ein- und Ausschalten des Geräts nachprüfen lässt, müssen die Störungen durch eine oder mehrere der folgenden Maßnahmen behoben werden:

- durch eine andere Ausrichtung oder Aufstellung der Empfangsantenne;
- durch die Vergrößerung des Abstands zwischen Gerät und Empfänger;
- durch das Anschließen des Geräts an eine Steckdose eines anderen Stromkreises als dem, an dem der Empfänger angeschlossen ist;
- durch Rücksprache mit dem Händler oder einem erfahrenen Radio-/Fernsehtechniker, um sich beraten zu lassen.

Garantie (nur für die USA; wenden Sie sich zwecks Garantieinformationen für andere Länder an Ihren Händler oder Vertriebshändler)

Beschränkte Dreijahresgarantie durch QSC Audio Products

QSC Audio Products, LLC („QSC“) gewährleistet, dass seine Produkte keine Material- und/oder Ausführungsfehler aufweisen, und QSC verpflichtet sich zum Ersatz defekter Teile und zur Reparatur funktionsgestörter Produkte gemäß dieser Garantie, wenn dieser Fehler bei einer normalen Installation und unter normalen Gebrauchsbedingungen auftritt – vorausgesetzt, dass das Gerät unter Vorauszahlung der Transportkosten und zusammen mit einer Kopie des Kaufnachweises (z. B. der Kaufquittung) an unser Werk zurückgeschickt oder an eine unserer autorisierten Kundendienststellen eingeschickt wird. Diese Garantie setzt voraus, dass die Prüfung des zurückgeschickten Produkts in unserem Ermessen einen Herstellungsdefekt zu erkennen gibt. Diese Garantie erstreckt sich auf keine Produkte, die einer unsachgemäßen oder fahrlässigen Behandlung, Unfällen oder einer unvorschriftsmäßigen Installation unterlagen, oder deren Datumcode entfernt oder unkenntlich gemacht wurde. QSC ist für keine Neben- und/oder Folgeschäden haftbar. Diese Garantie gewährt Ihnen bestimmte Rechte. Diese beschränkte Garantie ist während der Garantiezeit frei übertragbar. Die Garantie für QSC-Produkte ist NICHT GÜLTIG, wenn die Produkte von einem nicht autorisierten Händler/Online-Händler erworben wurden oder die werkseitig angebrachte Originalseriennummer auf irgendeine Weise entfernt, unkenntlich gemacht oder ersetzt wurde. Beschädigungen an oder Verlust von Software oder Daten, die auf dem Produkt gespeichert sind, sind nicht durch die Garantie abgedeckt. Bei Reparatur- oder Auswechselarbeiten wird sich QSC angemessen bemühen, die Originalsoftwarekonfiguration des Geräts und darauf folgende Update-Versionen wiederherzustellen, wird die auf dem reparierten Gerät enthaltenen Daten, die nicht ursprünglich im Produkt enthalten waren, aber nicht wiederherstellen oder übertragen.

Manche Kunden können je nach Rechtsprechung zusätzliche und andere Rechte besitzen. Erlischt eine Klausel dieser beschränkten Garantie oder wird sie durch die örtliche Rechtslage verboten oder außer Kraft gesetzt, bleiben die restlichen Klauseln in Kraft.

Die beschränkte Garantie von QSC gilt in den USA und vielen (aber nicht allen) anderen Ländern für einen Zeitraum von drei (3) Jahren ab dem Kaufdatum.

QSC-Garantieinformationen für andere Länder als die USA erhalten Sie von Ihrem autorisierten QSC-Händler oder Distributor. Eine Liste der internationalen QSC-Händler und Distributoren finden Sie unter www.qscaudio.com.

Um Ihr QSC-Produkt online zu registrieren, besuchen Sie www.qscaudio.com und wählen Sie „Product Registration“ (Produktregistrierung). Andere Fragen zu dieser Garantie können per Telefon, E-Mail oder von Ihrem autorisierten QSC-Händler beantwortet werden.

Tel.: 1-800-854-4079 (innerhalb der USA und Kanadas), +1-714-754-6175 (international), **E-Mail:** warranty@qscaudio.com, **Website:** www.qscaudio.com.

RoHS-HINWEIS

Die Q-Sys PS-X-Produkte erfüllen die EU-Direktive 2002/95/EC - Beschränkung gefährlicher Stoffe (RoHS).

Die Q-Sys PS-X-Produkte erfüllen die „China-RoHS“-Vorschriften. Die folgende Tabelle ist zur Nutzung der Produkte in China und seinen Hoheitsgebieten vorgesehen:

		Q-Sys PS-X				
部件名称 (Teilebezeichnung)	有毒有害物质或元素 (Giftige oder gefährliche Stoffe und Elemente)					
	铅 (Pb)	汞 (Hg)	镉 (Cd)	六价铬 (Cr(vi))	多溴联苯 (PBB)	多溴二苯醚 (PBDE)
电路板组件 (Elektronische Leiterplatten)	X	0	0	0	0	0
机壳装配件 (Gehäuseeinheiten)	X	0	0	0	0	0

O: 表明这些有毒或有害物质在部件使用的同类材料中的含量是在 SJ/T11363_2006 极限的要求之下。
(O: Weist darauf hin, dass der Anteil dieses in allen gleichartigen Werkstoffen dieses Teils enthaltenen giftigen oder gefährlichen Stoffes unter den Grenzwertanforderungen gemäß SJ/T11363-2006 liegt.)

X: 表明这些有毒或有害物质在部件使用的同类材料中至少有一种含量是在 SJ/T11363_2006 极限的要求之上。
(X: Weist darauf hin, dass der Anteil dieses in mindestens einem gleichartigen Werkstoff dieses Teils enthaltenen giftigen oder gefährlichen Stoffes über den Grenzwertanforderungen gemäß SJ/T11363_2006 liegt.)

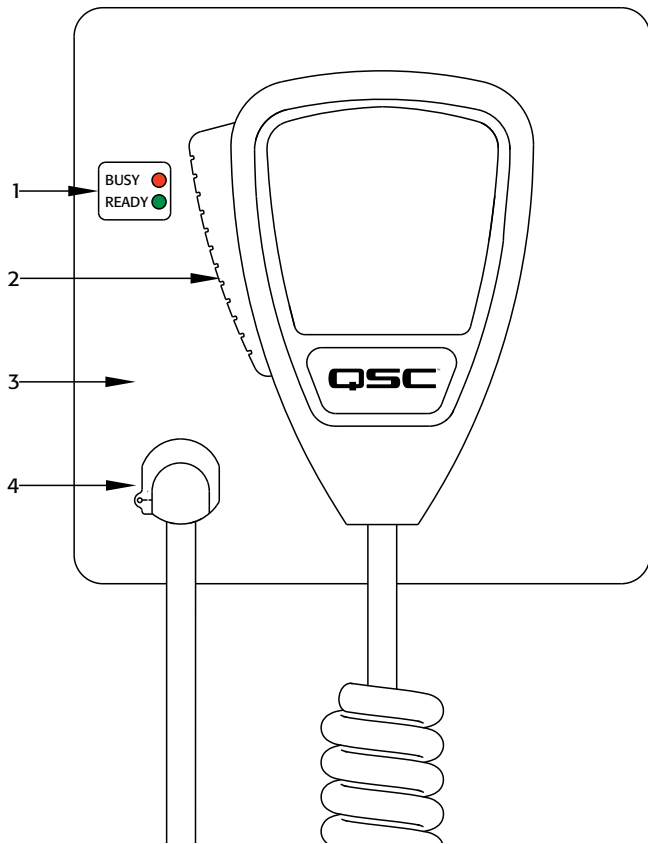
DE

Einführung

Der Page Station Expander ist für die Wandmontage vorgesehen; er befindet sich in einem standardmäßigen Zweifach-Verteilergehäuse (US-Ausführung) und wird über ein Kabel der Kategorie Cat 5e direkt an der Rückseite einer Q-Sys Page Station angeschlossen. Die Spracheingabe erfolgt über ein dynamisches PTT- (Push-to-Talk-) Handmikrofon. Ein spezielles magnetisches Docking-System und eine Kabel-Zugentlastung sorgen für hohe Flexibilität bei der Platzierung des Mikrofons, wenn es nicht in Gebrauch ist, und verhindern gleichzeitig Diebstahl oder Entfernen des Mikrofons. Der Page Station Expander bietet zusammen mit der Page Station mehrfache Eingänge für eine gemeinsame Zone; mit dieser Kombination können z. B. der Kiosk und die Fluggastbrücke eines Flughafen-Gates problemlos abgedeckt werden.

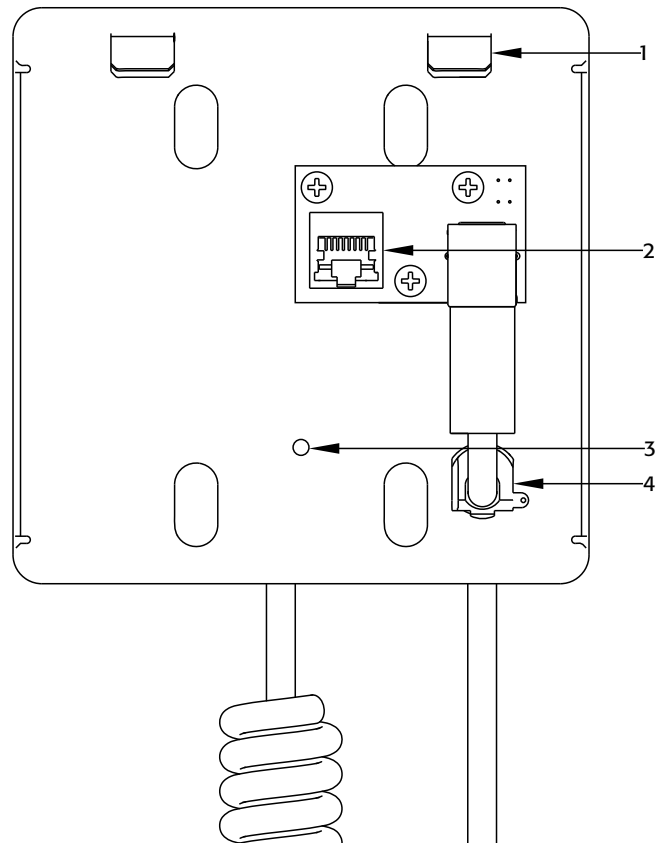
Genauere Informationen über die Q-Sys Sprechstellen und das Q-LAN Netzwerk finden Sie in der Bedienungsanleitung der Page Station und in der Online-Hilfe von Q-Sys Designer.

Funktionsmerkmale des Page Station Expander



– Figure 1 –

- | | |
|-----------------------------------|--------------------------------|
| 1. LED-Anzeigen Belegt und Bereit | 3. Magnetische Fläche |
| 2. PPT- (Push-to-Talk-) Taste | 4. Verriegelbare Zugentlastung |



– Figure 2 –

- | | |
|------------------------------------|----------------------------------|
| 1. Montagelaschen | 3. Befestigungsschraube, Bohrung |
| 2. RJ-45-Stecker (zu Page Station) | 4. Verriegelbare Zugentlastung |

Das Q-Sys Q-LAN Netzwerk

Die Q-Sys Lösung (Abbildung 3) ist für den Einsatz im leistungsstarken Q-LAN Netzwerk von QSC vorgesehen. Q-LAN ist eine proprietäre Netzwerkimplementierung, die mehrere Standardprotokolle in einer Datenübertragungslösung bündelt und für Live-Aufführungen in Multimedia-Umgebungen geeignet ist. Q-LAN bietet Gigabit-Datenraten, Geräte- und Netzwerkredundanz sowie 32-Bit-Fließkomma-Audiodatenübertragung und unterstützt niedrige Latenz bei LAN-Anwendungen. Unter Verwendung von PTP (Precision Time Protocol) gemäß IEEE-1588 sind die genaue Synchronisierung von Endknoten sowie die hochwertige Taktverteilung Bestandteil der Q-LAN Lösung. Die Lösung umfasst die Erkennung und automatische Konfiguration von Endknoten und baut auf branchenüblichen Protokollen in einer standardbasierten IP-Netzwerkimplementierung auf, in der gebrauchsfertige Hardwarekomponenten zum Einsatz kommen.

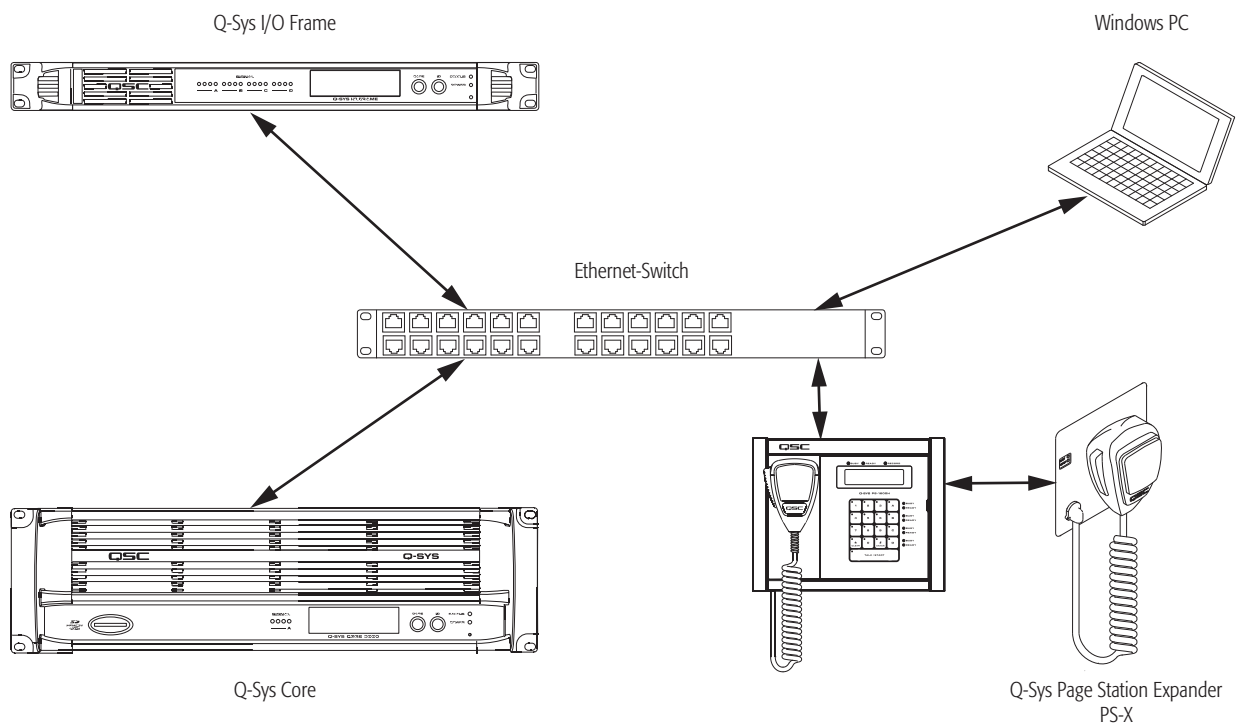
In **Abbildung 3** ist eine sehr einfache Q-LAN Netzwerkimplementierung mit einem Q-Sys Core Processor, einem Q-Sys I/O Frame, einem Q-Sys PS-X Page Station Expander, einem Ethernet-Switch und einem PC, auf dem Q-Sys Designer ausgeführt wird, dargestellt.

Alle Geräte sind mit einem verwalteten Ethernet-Switch (1000 MBit/s) entsprechender Dienstgüte (QoS - Quality of Service) verbunden, der für hochleistungsfähige Gigabit-Netzwerke zur Unterstützung von Multimedia-Anwendungen geeignet ist.

Die PS-X wird bei der Konfiguration der Page Station über Q-Sys Designer konfiguriert.



HINWEIS: Ein PC ist nur während der ursprünglichen Konfiguration des Systems oder auch dann erforderlich, wenn der Systemdesigner bzw. Bediener zur laufenden Verwaltung der Dienste einen PC bevorzugt.





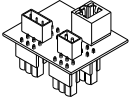
– Figure 3 –

- Über Q-Sys I/O Frame wird ein Audiozugriffspunkt für das Q-Sys System bereitgestellt, der die Audio-Zuschaltung zum und -Trennung vom Q-LAN Netz ermöglicht.
- Der Q-Sys Core Processor stellt die Signalverarbeitung, Verteilung und Verwaltungsdienste für das Q-Sys System bereit. Sämtliche zeitsensitive Audio- und Verwaltungskommunikation wird über das Q-LAN Netz geleitet.
- Der Windows-PC kann ein Desktop- oder Laptop-Computer sein, auf dem Q-Sys Designer oder die Remote-Management-Anwendung der Bedieneroberfläche (UCI - User Control Interface) ausgeführt wird. Der PC wird vom Q-Sys System nur während der Entwicklungsphase zur Konfiguration des Systems benötigt. Er ist nicht für den Laufzeitbetrieb erforderlich, kann jedoch für die laufende Systemverwaltung verwendet werden.
- Die Q-Sys PS-X-Einheit bietet zusammen mit der Q-Sys Page Station und dem Core-Prozessor die Möglichkeit, zwei dedizierte Mikrofone für eine Page Station innerhalb desselben Bereichs zu verwenden.

Auspacken

Beim Auspacken müssen keine besonderen Vorsichtsmaßnahmen beachtet werden. Es wird jedoch empfohlen, das Originalverpackungsmaterial gut aufzubewahren, damit es in den seltenen Fällen, in denen Kundendienstarbeiten erforderlich sind, wieder verwendet werden kann. Sollten derartige Maßnahmen erforderlich sein und die Originalverpackungsmaterialien nicht mehr zur Verfügung stehen, achten Sie darauf, dass das Gerät für den Versand ausreichend geschützt wird (durch einen stabilen Karton geeigneter Größe, ausreichendes Verpackungs-/Polstermaterial zur Vermeidung von Verschiebungen des Inhalts während des Transports und von Schlagschäden), oder fordern Sie telefonisch neues Verpackungsmaterial und einen Karton von der technischen Kundendienstgruppe von QSC an.

PS-X - Packliste

Teilebezeichnung	Anzahl	Beschreibung
PS-X – Page Station Expander	1	
Halterung	1	
Page Station-Steckeradapter	1	
Senkkopfschraube	1	Nr. 8-32, 0,5 Zoll
Info-Blatt mit Warnhinweisen	1	
Q-Sys PS-X-Kurzanleitung	1	TD-000358-00

DE

Installation

Die Montage der Q-Sys PS-X-Einheit erfolgt anhand eines UL-zertifizierten Zweifach-Verteilergehäuses für Neubauanwendungen.

Allgemeine Voraussetzungen

- Für die Verbindung der PS-X an die entsprechende Q-Sys Page Station muss ein Anschluss der Kategorie Cat 5e (RJ45, Klasse 2) vorhanden sein.
- Zur Montage der PS-X ist eine Wandaussparung mit einer Tiefe von mindestens 60,5 mm erforderlich.
- Die PS-X sollte an einer Stelle montiert werden, an der sie die normale Nutzung des Bereichs nicht behindert.
- Das Cat 5e-Kabel darf maximal 100 Meter lang sein.

Befestigung der Halterung an einem Zweifach-Verteilergehäuse – Neubau

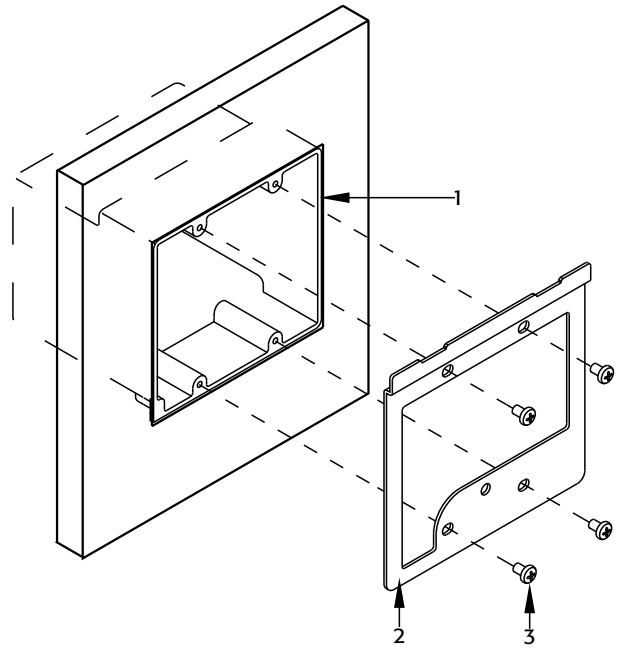


HINWEIS: Das Verfahren zur Befestigung eines Zweifach-Verteilergehäuses für Altbauanwendungen ist das gleiche, wobei jedoch zu beachten ist, dass nicht alle Verteilergehäuse für Altbauanwendungen für die PS-X geeignet sind. Bei Altbauanwendungen muss ein zur Einheit passendes Verteilergehäuse gewählt werden.

Das Zweifach-Verteilergehäuse muss UL-zertifiziert sein und sollte während der Bauarbeiten in die Wand eingebaut und mit Kabel der Kategorie 5e vorverdrahtet werden.

Siehe Abbildung 4.

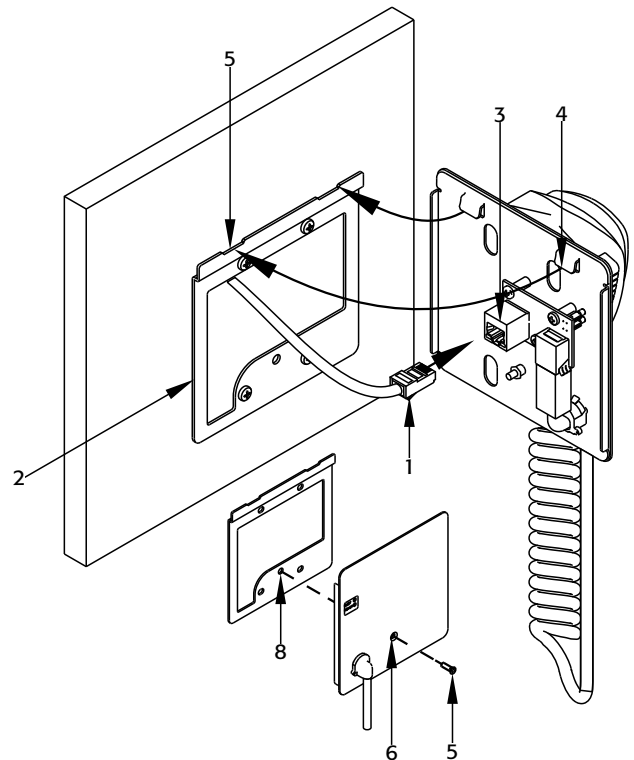
1. Die Montagehalterung so an der Wand positionieren, dass die Löcher in der Halterung (2) mit den Löchern im Zweifach-Verteilergehäuse (1) ausgerichtet sind.
2. Die Halterung mit den vier Schrauben (3) und einem geeigneten Schraubendreher am Zweifach-Verteilergehäuse befestigen.



– Figure 4 –

Siehe Abbildung 5.

1. Das Kabel der Kategorie Cat 5e (1), das einen RJ45-Steckverbinder der Klasse 2 aufweist, durch die Montagehalterung (2) führen und an die RJ45-Buchse (3) an der Rückseite der PS-X-Einheit anschließen.
2. Die obere Kante der PS-X-Einheit sorgfältig (zur Wand hin) anwinkeln und die PS-X-Einheit auf die Montagehalterung (1) schieben, sodass die beiden Befestigungslaschen (4) in die Aufnahmen (5) eingeführt werden. Sicherstellen, dass das Kabel sorgfältig in das Gehäuse bzw. in die Wandaussparung eingeführt wird und nirgends klemmt.
3. Nachdem die Laschen eingeführt wurden, die PS-X-Einheit gerade ausrichten, leicht nach unten ziehen und unten andrücken.
4. Eine Kreuzschlitzsenkschraube (5) in die Bohrung (6) in der Docking-Platte des PS-X-Mikrofons schrauben, um die PS-X-Einheit an der Halterung zu befestigen.



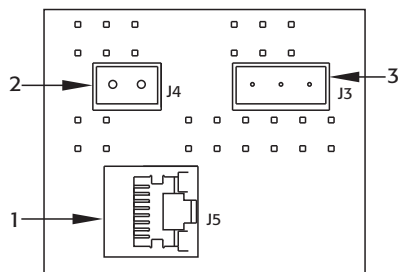
– Figure 5 –

Beschriftung des Page Station-Steckeradapters

Siehe Abbildung 6

Der Adapter wird über die GPIO- und Mic/Line-Anschlüsse der Page Station angeschlossen. Die Aufkleber an der Rückseite der Page Station sind somit nicht mehr relevant. Nähere Angaben sind im Benutzerhandbuch der Page Station zu finden. Die folgenden Page Station-Steckverbinder stehen zur Verfügung.

1. RJ-45-Stecker für die PS-X-Einheit (J5)
2. Aux Power (J4)
3. Line Out (J3)



– Figure 6 –

Computervoraussetzungen und Software-Installation

Die Konfiguration der PS-X-Einheit erfordert einen Q-Sys Core-Prozessor, einen PC, auf dem Q-Sys Designer installiert ist, und eine Q-Sys Page Station, die beide an ein Q-LAN Netz angeschlossen sind. Die neueste Version von Q-Sys Designer kann von der QSC-Website (<http://www.qscaudio.com/>) heruntergeladen werden. Eine CD-ROM mit Q-Sys Designer ist ferner im Lieferumfang aller Q-Sys Core-Prozessor-Einheiten enthalten. Weitere Informationen zu den Systemvoraussetzungen sowie eine Installationsanleitung sind in der Installationsanleitung von Q-Sys Designer auf der QSC-Website oder im Q-Sys Hardware-Benutzerhandbuch des Core-Prozessors zu finden.

Verbindungen

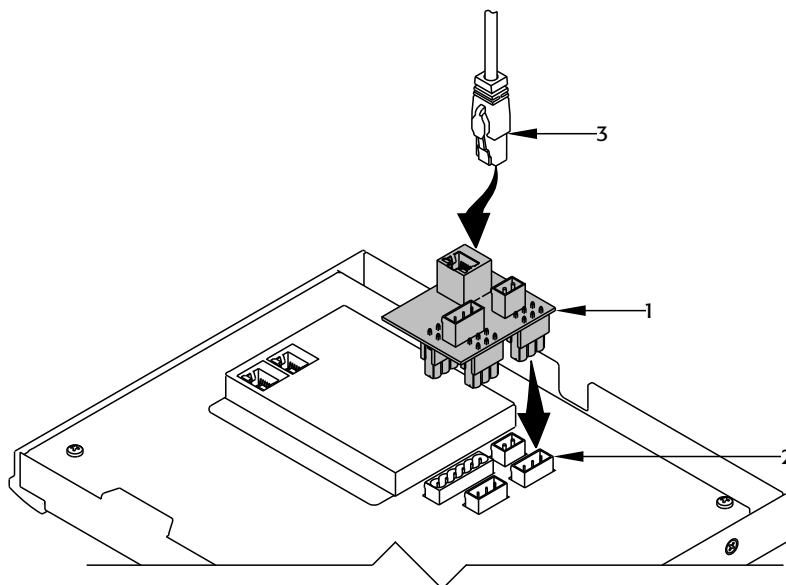
Der Q-Sys Page Station Expander kann an alle Q-Sys Page Station modelle angeschlossen werden. Es werden lediglich ein an beiden Enden mit einem RJ-45-Steckverbinder der Klasse 2 abgeschlossenes Kabel der Kategorie Cat 5e und der Page Station-Steckeradapter benötigt. Das Kabel darf maximal 100 Meter lang sein.

Siehe *Abbildung 7*.

1. Den Page Station-Steckeradapter (1) wie abgebildet an der Rückseite der Page Station (2) anschließen.
2. Sicherstellen, dass der Adapter vollständig eingeführt wurde; den Adapter verriegeln.
3. Den RJ-45-Steckverbinder (3) des Kabels der Kategorie Cat 5e in die RJ-45-Buchse des Adapters stecken.



HINWEIS: Das andere Ende des Kabels der Kategorie Cat 5e sollte wie weiter oben in diesem Dokument beschrieben an der PS-X-Einheit angeschlossen werden.



– Figure 7 –

Die Page Station wie in ihrem Benutzerhandbuch beschrieben montieren bzw. erneut montieren.

Konfigurierung der Page Station für die PS-X-Einheit in Q-Sys

Bevor die PS-X-Einheit verwendet werden kann, muss die Page Station in Q-Sys Designer konfiguriert werden.

1. Q-Sys Designer auf dem PC starten.
2. Das auf dem jeweiligen Core laufende Design öffnen.
3. In Q-Sys Designer sicherstellen, dass die Page Station im Design enthalten ist, und anschließend die Statuskomponente der Page Station auswählen, mit der der PS-X verbunden ist.
4. In den Eigenschaften der Page Station die Option Expander aktivieren auf Ja einstellen.
5. Die Mic/Control-Komponente für die Page Station öffnen. Es sind nun zwei Gruppen von Bedienelementen vorhanden: eine für das Hauptmikrofon (Main Mic) und die andere für den Expander (Xpander). Mit diesen Bedienelementen die richtigen Pegel für die PS-X einstellen. Details sind in der Online-Hilfe enthalten.

Die PS-X ist nun betriebsbereit und der PC ist für den Betrieb des Q-Sys Systems nicht mehr erforderlich.

Verwenden der PS-X

Im Großen und Ganzen hängt die Nutzung der PS-X von der Konfiguration der Page Station im Design ab, das für Ihre Installation von Ihrem Systemdesigner erstellt wurde. Um eine Ansage zu machen, muss die Bereit-LED an der PS-X leuchten; Sie brauchen dann lediglich die Handmikrofontaste gedrückt zu halten und zu sprechen. Lassen Sie die Taste nach Abschluss der Ansage wieder los. Lesen Sie zur Konfigurierung der Page Station die Dokumentation der Page Station, und zwar sowohl das Benutzerhandbuch als auch die Online-Hilfe.

Erkennen der PS-X in Q-Sys Designer

Falls das Design eine große Anzahl von PS-X-Einheiten enthält, lässt sich evtl. nur schwer ermitteln, welche Komponente im Design einem bestimmten Hardwaregerät entspricht. Die PS-X lässt sich anhand der Page Station ermitteln, mit der sie verbunden ist.

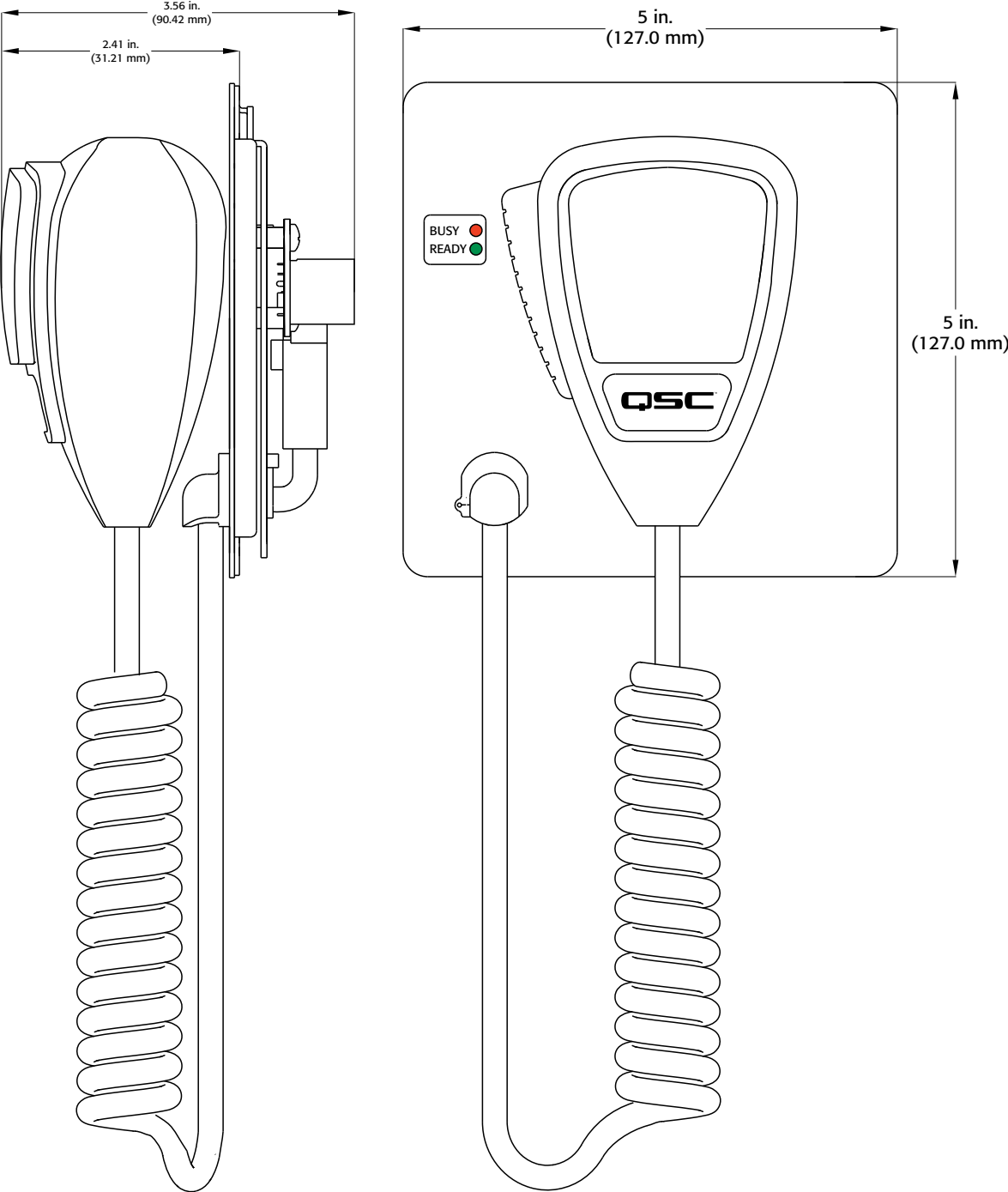
1. In Q-Sys Designer in der Page Station-Statuskomponente auf die ID-Schaltfläche oder in Q-Sys Configurator auf die Page Station klicken. Die LCD der betreffenden Page Station blinkt.

Aktualisieren der Firmware

Die PS-X enthält keine Firmware. Firmwareaktualisierungen werden an der Page Station vorgenommen. Weitere Informationen finden Sie im Benutzerhandbuch der Page Station oder in der Online-Hilfe von Q-Sys Designer.

PS-X - Abmessungen

Das Mikrofonskabel ist bei den Abmessungen nicht berücksichtigt.



DE

- Figure 8 -

PS-X - Technische Daten

Frontplatte

Mikrofon	Dynamisches PTT- (Push-to-Talk-) Handmikrofon
Mikrofon-Dockingfläche	Ferromagnetisches Material
Status-LEDs	Grün = Bereit, Rot = Belegt
Stromversorgung der Status-LEDs	GPIO der Q-Sys Page Station Digital eins = TTL 3,3 V DC bei 2 mA Digital null = 0 V
Anschlüsse auf der Rückplatte	
RJ45	Cat 5e-Anschluss an eine Q-Sys Page Station
Abmessungen (HxBxT)	
Mikrofon-Dockingfläche	127,0 x 127,0 x 90,42 mm (5 in. x 5 in. x 3,56 in.)
Versandgewicht	0,90 kg



Kontaktinfo

Adresse

QSC Audio Products, LLC
1675 MacArthur Boulevard
Costa Mesa, CA 92626-1468 USA

Zentrale

(714) 754-6175

Internet

www.qscaudio.com

Verkauf und Marketing

Telefon

International: +1 (714) 957-7100
Gebührenfrei (nur in den USA): (800) 854-4079

FAX

+1 (714) 754-6174

E-Mail

info@qscaudio.com

Support

Support rund um die Uhr

QSC bietet Support rund um die Uhr (nur für vernetzte Q-Sys™ Audiosysteme).

Umfassender Support

Geschäftszeiten: 6.00 bis 17.00 Uhr Pazifik-Zeit (montags bis freitags)

Tel. 800-772-2834 (nur USA)

Tel. +1 (714) 957-7150

Fax +1 (714) 754-6173

Q-Sys Support nur in Notfällen nach Geschäftsschluss und an Wochenenden*

Tel.: +1-888-252-4836 (USA/Kanada)

Tel.: +1-949-791-7722 (außerhalb der USA)

*Bei Anrufen nach Geschäftsschluss wird NUR bei Q-Sys eine Antwortzeit von 30 Minuten durch einen Mitarbeiter des Q-Sys Support-Teams gewährleistet!

E-Mail

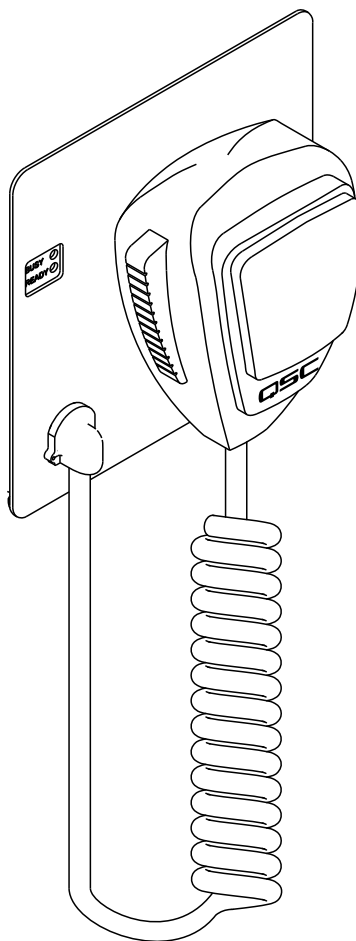
qsysupport@qscaudio.com

(Eine sofortige E-Mail-Antwort wird nicht gewährleistet. In DRINGENDEN Fällen die Telefonnummern oben anrufen.)

24/7
Q-Sys™ Customer Support

DE

PS-X – Page Station Expander



术语及符号说明

“警告！”一词 指示有关人身安全的说明。 如果不遵照这些说明，可能会导致人身伤亡。

“小心！”一词 指示有关可能造成物理设备损坏的说明。 如果不遵照这些说明操作，可能会导致设备损坏，而且这种损坏不在质保范围内。

“重要信息！”一词 指示对于成功完成某一过程至关重要的说明或信息。

“注意”一词用于指示其他有用信息。



三角形内带箭头的闪电符号用于提醒用户该产品外壳内存在非绝缘的“危险”电压，会对人体造成电击危险。



等边三角形内部的惊叹号用于提醒用户注意本手册中重要的安全、操作和维护说明。



重要安全说明



警告！：为了防止火灾或电击，请勿将此设备暴露在雨中或潮湿环境中。
- 最高工作温度为 50°C (122°F)。

- 请阅读这些说明。
- 请保存好这些说明。
- 请谨记所有警告。
- 请遵守所有说明。
- 请不要在靠近水的地方使用本设备。
- 清洁设备时只能用干布擦拭。
- 不要堵塞任何通风口。 根据制造商的说明进行安装。
- 不要将本产品安装在会产生热量的热源，如散热器、热调节装置、炉子或其他设备（包括放大器）附近。
- 只能使用制造商指定的附件/配件。
- 在雷暴天气下或长时间不用时，请断开本设备的电源连接。
- 应由合格人员进行维护。 如果本设备损坏，必须进行维修，比如电源线或插头损坏，液体溅到或物体落入设备中，设备遭受雨淋或受潮，不能正常工作或跌落等情况。
- 严格遵守所有适用的当地法规。
- 如有任何关于物理设备安装的疑问或问题，请咨询持有执照的专业工程师。

在美国设计和组装

FCC 声明



注意：本设备经测试符合 FCC 准则第 15 部分中关于 B 类数字设备的限制。

所规定的这些限制是为了提供合理的保护，防止对住宅设施造成有害干扰。此设备会产生、使用和发出射频能量，如果不按照指导进行安装和使用，可能会对无线通信造成有害干扰。但是，我们不排除在特定安装条件下仍会产生干扰的可能性。如果本设备对无线电或电视接收造成了有害干扰（通过关闭后再打开设备即可以确定），建议用户尝试采取以下一项或多项措施来排除此类干扰：

- 变换接收天线的朝向或重新放置。
- 增大设备和接收器之间的距离。
- 将设备使用的电源插座与接收器所使用的插座分开。
- 咨询经销商或有经验的无线电或电视技术人员以获得帮助。

质保（仅限于美国；其他国家/地区的用户请联系您的经销商或分销商）

QSC Audio Products 3 年有限质保

QSC Audio Products, LLC (“QSC”) 担保其产品不会出现材料和/或制造工艺缺陷；若在正常安装和使用条件下出现质量问题，QSC 将按照本质保协议更换有缺陷的零件并维修故障产品，但前提是，您需要预付运费将产品送回我们的工厂、任一授权维修站或授权的 QSC 国际分销商，并附带购买证明（即销售收据）复印件。此质保协议规定，退回的产品必须经我们检查断定是否存在制造缺陷。本质保不适用于任何因误用、疏忽、意外或不正确安装导致损坏的产品或日期编码被去掉或破损的产品。QSC 不对意外和/或间接发生的损坏承担责任。此质保赋予您特定的法律权力。此有限质保在质保期内可自由转让。如果产品购自未经授权的零售商/网上零售商，或者以任何方式去掉、破坏或覆盖了原始出厂序列号，则此 QSC 产品质保无效。对于此产品中软件或数据的损坏或丢失，不属于质保范围。在进行维修或更换服务时，QSC 将只承担重新安装此产品原始配置软件及后续更新版本等合理范围内的工作，对于所维修设备上非此产品原始附带的软件或数据，不进行任何恢复或传输操作。

客户可能享有更多权利，具体取决于所在的国家/地区或州/省/自治区。如果本有限质保的某一条款被当地法律视为无效、禁止或被取代，则其余条款仍然有效。

在美国和许多（但不是全部）其他国家/地区，QSC 有限质保期限为三 (3) 年，从购买之日算起。

要了解美国之外其他国家/地区的 QSC 质保信息，请联系相应的 QSC 授权国际分销商。可在 www.qscaudio.com 中找到 QSC 国际分销商列表。

若要在线注册您的 QSC 产品，请转至 www.qscaudio.com 并选择 “Product Registration”（产品注册）。对于此质保协议的其他问题，可以通过电话、电子邮件寻求答复，或者联系授权的 QSC 分销商。

电话：1-800-854-4079（美国和加拿大），+1-714-754-6175（国际），**电子邮件：**warranty@qscaudio.com，**网址：**www.qscaudio.com。

RoHS 声明

Q-Sys PS-X 产品符合欧盟指令 2002/95/EC – 有害物质限制 (RoHS)。

Q-Sys PS-X 产品符合“中国 RoHS”指令。 以下图表适用于在中国及其各地区中使用的产品：

		Q-Sys PS-X				
部件名称 (Part Name)	有毒有害物质或元素 (Toxic or hazardous Substances and Elements)					
	铅 (Pb)	汞 (Hg)	镉 (Cd)	六价铬 (Cr(vi))	多溴联苯 (PBB)	多溴二苯醚 (PBDE)
电路板组件 (PCB Assemblies)	X	O	O	O	O	O
机壳装配件 (Chassis Assemblies)	X	O	O	O	O	O

O:表明这些有毒或有害物质在部件使用的同类材料中含量低于 SJ/T11363_2006 中的限制要求。
(O: Indicates that this toxic or hazardous substance contained in all of the homogeneous materials for this part is below the limit requirement in SJ/T11363_2006.)
X: 表明这些有毒或有害物质在部件使用的同类材料中至少有一种含量高于 SJ/T11363_2006 中的限制要求。
(X: Indicates that this toxic or hazardous substance contained in at least one of the homogeneous materials used for this part is above the limit requirement in SJ/T11363_2006.)

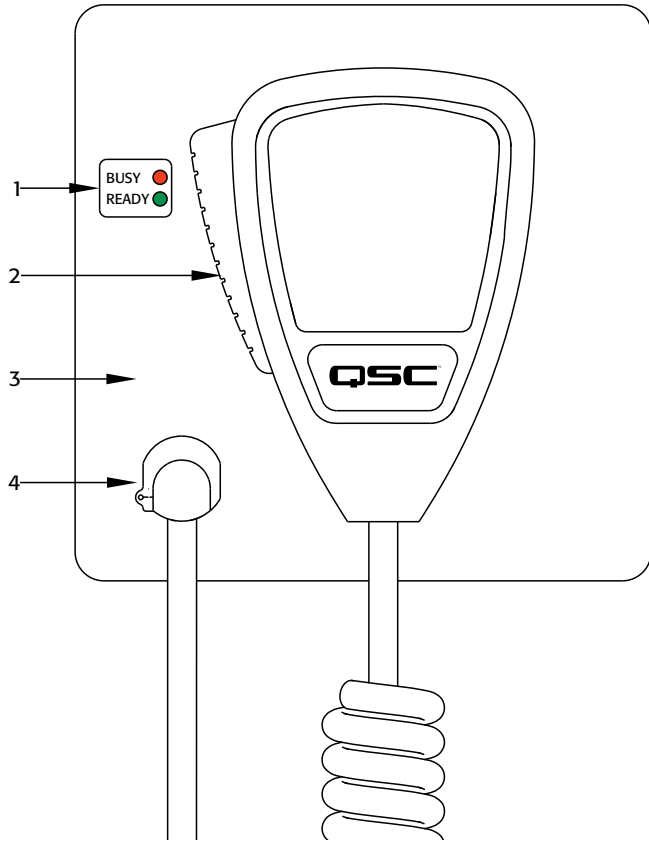
CH

简介

Page Station Expander 设计为在墙壁上进行安装，与美国标准的两向电箱相吻合，可通过 Cat 5e 电缆直接连接到 Q-Sys Page Station 的后面。通过手持式动态一键通话筒实现语音输入。在不使用话筒时，所具有的独特磁性固定系统和弹性电缆便于灵活放置话筒，还有利于防止盗窃或移动话筒。Page Station Expander 与 Page Station 结合使用可为公共区域提供多输入，例如对于机场机位的电话亭和喷气式跑道，二者结合使用便可轻松实现多输入。

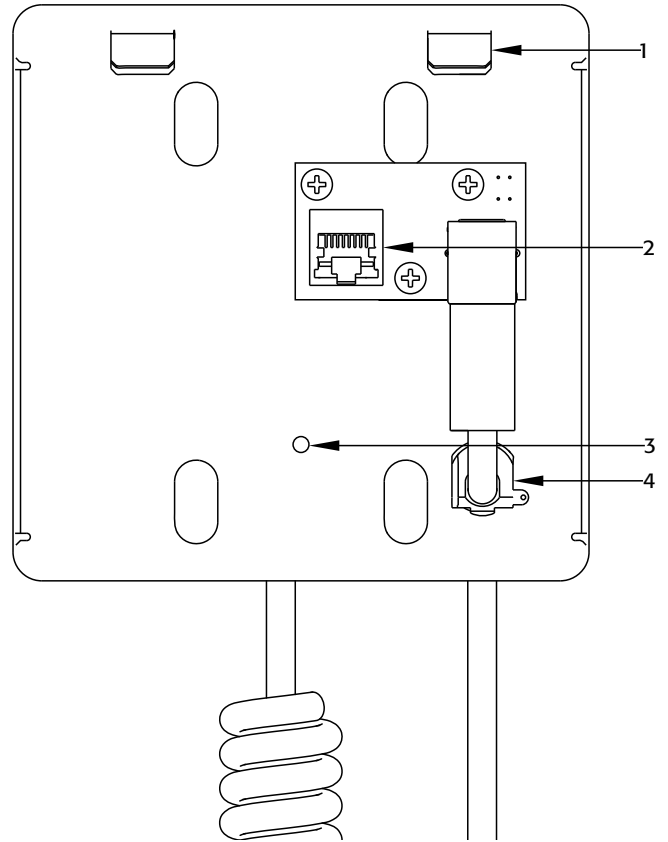
有关 Q-Sys Page Stations 和 Q-LAN 网络的详细信息，请参阅《Page Station 用户指南》和 Q-Sys Designer 联机帮助。

Page Station Expander 特性



— 图 1 —

- 1. “正忙”和“就绪”LED 指示灯
- 2. 一键通按钮
- 3. 磁性界面
- 4. 锁定弹性电缆



— 图 2 —

- 1. 安装卡销
- 2. RJ-45 连接器（连接到 Page Station）
- 3. 安装螺丝孔
- 4. 锁定弹性电缆

Q-Sys Q-LAN 网络

Q-Sys 解决方案（图 3）设计为在 QSC 的高性能 Q-LAN 网络上部署。Q-LAN 是一种专用网络实施，将多个行业标准协议整合到一个数据传输解决方案中，适用于实时性能多媒体环境。Q-LAN 可为局域网部署提供千兆位数据传输速率、设备和网络冗余、32 位浮点音频数据传输以及低延迟支持。通过使用 IEEE-1588 精密时间协议，Q-LAN 解决方案中内置了终端节点的准确同步和高质量的时钟分布。通过在利用现有硬件组件的标准型 IP 网络实施中使用行业标准协议，此解决方案包括了发现终端节点和自动配置终端节点。

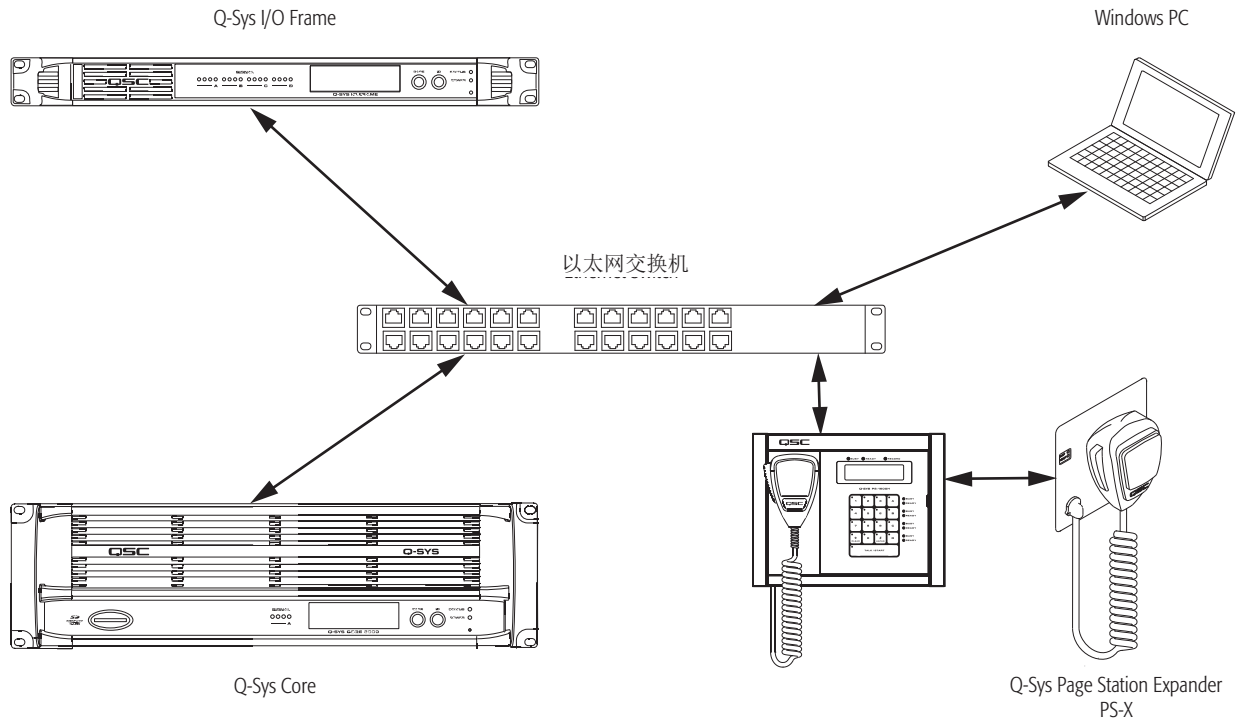
图 3 显示了非常简单的 Q-LAN 网络实施，其中包含一个 Q-Sys Core Processor、一个 Q-Sys I/O Frame、一个 Q-Sys PS-X Page Station Expander、以太网交换机和一台运行 Q-Sys Designer 的 PC。

所有设备都连接到一台受管千兆位以太网交换机，其中包含适用于高性能千兆位网络的相应 QoS（服务质量），以支持多媒体应用。

配置 Page Station 时，可以通过 Q-Sys Designer 配置 PS-X。



注意： 只有在最初配置系统期间或 PC 是向系统设计人员或操作人员提供实时管理服务的首选方式时，才需要使用 PC。



— 图 3 —

- 通过支持音频接入和退出 Q-LAN 网络，Q-Sys I/O Frame 提供 Q-Sys 系统的音频接入点。
- Q-Sys Core Processor 为 Q-Sys 系统提供信号处理、分发和管理服务。所有时间相关的音频和管理通信都会通过 Q-LAN 网络。
- Windows PC 可以是运行 Q-Sys Designer 或用户控制界面 (UCI) 远程管理应用程序的台式机或便携式电脑。Q-Sys 系统仅在配置系统的设计阶段需要 PC。尽管 PC 可能用于后续系统管理，但运行操作并不需要 PC。
- Q-Sys PS-X 与 Q-Sys Page Station 和 Core Processor 结合使用，可以在相同物理区域对一个 Page Station 使用两个专用话筒。

拆包

没有有关拆包的特别注意事项。但是，建议您保留原包装材料以便在发生意外事件需要维修时使用。如果需要维修但已没有原包装材料，请确保设备在运输时有足够的保护（使用尺寸适当的紧固包装箱、足够的包装/填充材料以防负载转移或冲撞损坏）或致电 QSC 的技术服务部以获取替换的包装材料和纸箱。

PS-X 装箱单

部件名称	数量	说明
PS-X – Page Station Expander	1	
安装支架	1	
Page Station 连接器适配器	1	
平头螺丝	1	#8-32, 0.5"
警告信息表	1	
Q-Sys PS-X 快速入门指南	1	TD-000358-00

安装

Q-Sys PS-X 使用新式结构、UL 认证和两向电箱进行安装。

一般要求

- PS-X 必须接入到与关联的 Q-Sys Page Station 相连接的 Cat 5e (RJ45 Class 2)。
- PS-X 安装的墙壁深度必须不低于 2.38" (60.5 mm)。
- PS-X 应该安装在不妨碍正常通行的位置。
- Cat 5e 电缆长度必须小于或等于 100 米。

将安装支架安装到双向电箱上 - 新式结构

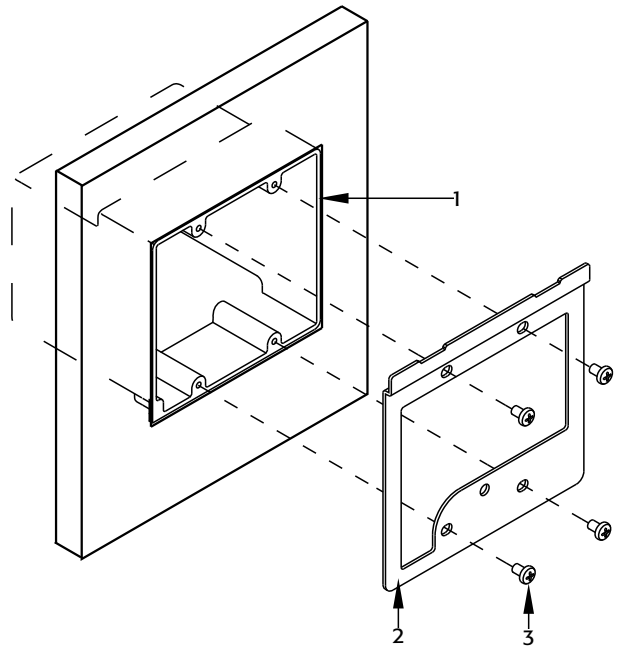


注意： 安装过程与老式结构双向电箱相同，但并不是所有老式结构电箱都适用于 PS-X。 确保在墙壁上安装老式结构电箱之前验证是否适合安装。

安装双向电箱（必须经 UL 认证）时应该使用 Cat 5e 电缆预布线，并且应该安装在墙上。

请参阅图 4。

1. 将安装支架固定到墙上，保持安装支架 (2) 中的孔与双向电箱 (1) 中的孔对齐。
2. 使用四个安装支架螺丝 (3) 和相应的螺丝刀将安装支架固定到双向电箱上。

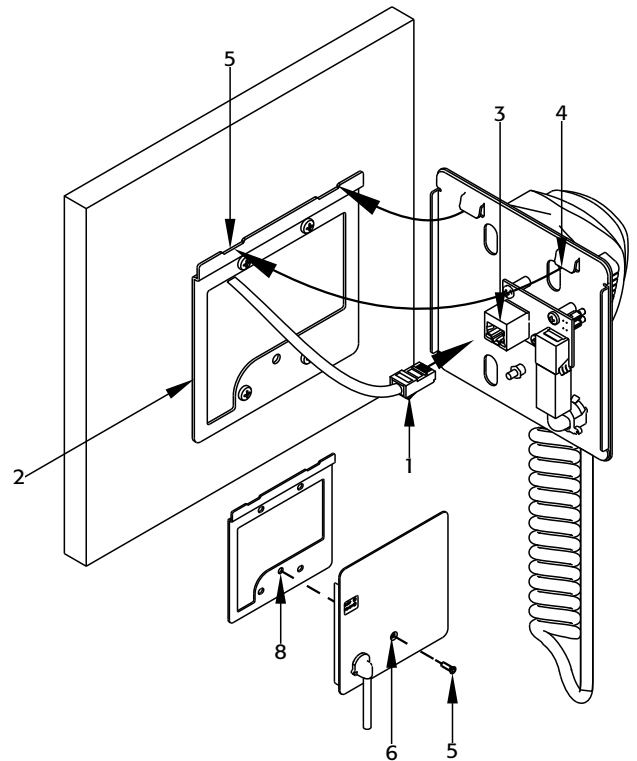


— 图 4 —

将 PS-X 安装到安装支架上

请参阅图 5。

1. 将 Cat 5e 电缆 (1) 连接到 Class 2 RJ45 连接器，穿过安装支架 (2) 并将其插入到 PS-X 后面的 RJ45 插座 (3) 中。
2. 小心地将 PS-X 顶部向前弯曲（对着墙），然后将 PS-X 滑到安装支架 (1) 上，并将两个安装卡销 (4) 插入安装卡销插座 (5) 中。 确保小心地将电缆连接到电箱或墙上，并且电缆在任何地方均未锁定。
3. 插入卡销后，将 PS-X 拉直并略向下拉，推向底部。
4. 将十字钻孔螺丝 (5) 插入 PS-X 话筒对接板中，让 PS-X 固定到安装支架上。



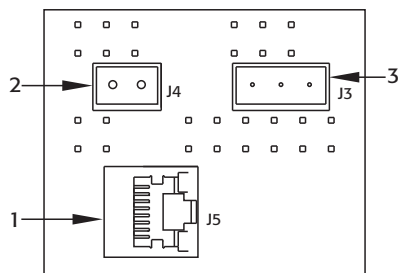
— 图 5 —

Page Station 连接器适配器标签

请参阅图 6。

将适配器连接到 Page Station 后，它会利用其上的 GPIO 和 Mic/Line 连接器，并且 Page Station 后面的标签不再相关。 有关详细信息，请参阅《Page Station 用户手册》。 以下 Page Station 连接器可供使用。

1. RJ-45 连接器转 PS-X (J5)
2. Aux Power (J4)
3. Line Out (J5)



— 图 6 —

电脑要求和软件安装

配置 PS-X 需要一个 Q-Sys Core Processor、一台运行 Q-Sys Designer 软件的 PC 和一个 Q-Sys Page Station，并且都需要连接到 Q-LAN 网络。Q-Sys Designer 的最新版本可从 QSC 网站下载，网址：<http://www.qscaudio.com/>。另外，所有 Q-Sys Core Processor 均包含一个 Q-Sys Designer CD-ROM。有关系统要求和安装说明的更多信息，请参阅 QSC 网站上或《Core Processor's Q-Sys 硬件使用手册》。

中有关连接

Q-Sys Page Station Expander 可连接到任一 Q-Sys Page Station 型号。连接必备：Cat 5e 电缆、Class 2 RJ-45 终端连接器和 Page Station 连接器适配器。电缆长度不得超过 100 米。

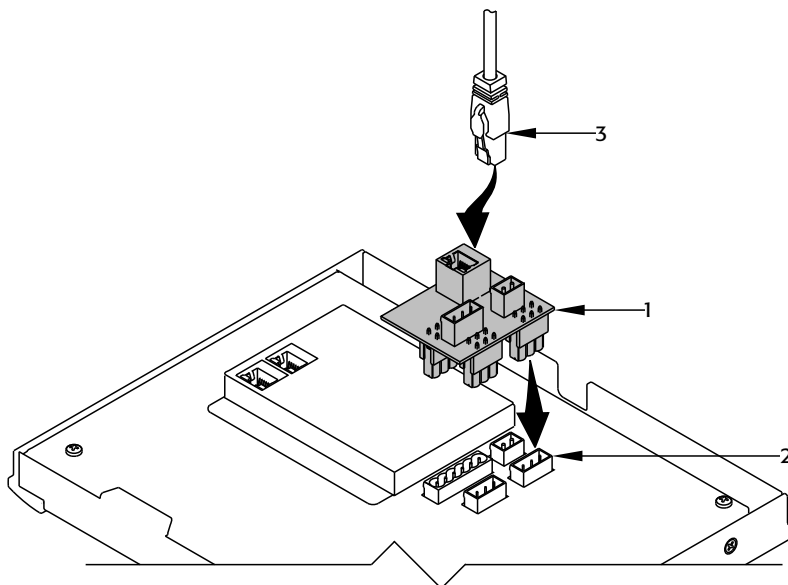
请参阅图 7。

1. 如图所示，将 Page Station 连接器适配器 (1) 插入 Page Station (2) 后面板。
2. 确保适配器完全插入，并将其固定。
3. 将 Cat 5e 电缆 RJ-45 连接器 (3) 插入适配器上的 RJ-45 插座。



注意：如上所述，Cat 5e 电缆的另一端应连接到 PS-X。

按照《Page Station 用户手册》的说明安装或重新安装 Page Station。



— 图 7 —

CH

在 Q-Sys 中配置 PS-X 的 Page Station

在使用 PS-X 之前，您必须在 Q-Sys Designer 中配置 Page Station。

1. 启动 PC 上的 Q-Sys Designer。
2. 打开相应 Core 上运行的设计。
3. 在 Q-Sys Designer 中，确保运行 Page Station 设计，然后选择 PS-X 所连接的 Page Station 的状态组件。
4. 在 Page Station 的“属性”中，将“启用 Expander”设置为“是”。
5. 打开 Page Station 的话筒/控制组件。现在有两组控件。一组用于主话筒，另一组用于 Expander (Xpander)。利用这些控件为 PS-X 设置正确的级别。有关详细信息，请参阅联机帮助。

至此，PS-X 便准备就绪，可以开始使用。运行 Q-Sys 系统不再需要 PC。

使用 PS-X

多数情况下，使用 PS-X 取决于系统设计师在安装时创建的设计中的 Page Station 配置。要制作页面，PS-X 上的“就绪”LED 必须亮起，然后按住手持式话筒按钮即可开始通话。通话结束后释放按钮。查阅 Page Station 文档，包括有关 Page Station 配置的用户手册和联机帮助。

识别 Q-Sys Designer 中的 PS-X

如果设计中有大量 PS-X，则要在设计中找到与特定硬件匹配的组件可能并非易事。查找 PS-X 的方法是在该 PS-X 连接的 Page Station 中进行查找。

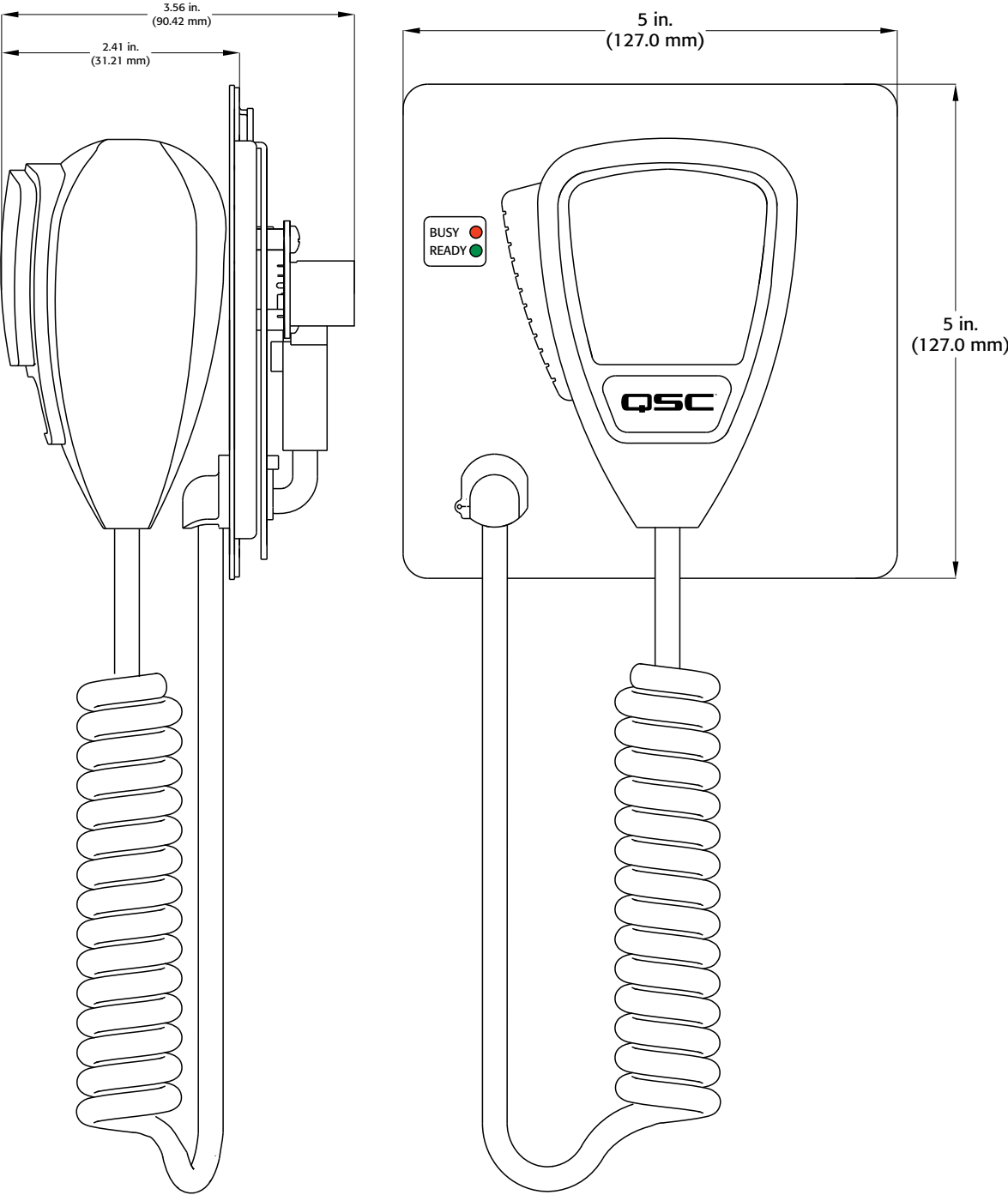
1. 敲击 Q-Sys Designer 的 Page Station 状态组件中的 ID 按钮，或者是 Q-Sys 配置程序的 Page Station 中的 ID 按钮。关联的 Page Station 上的 LCD 即会闪光。

更新固件

PS-X 上无固件。可对 Page Station 进行固件更新。请参阅《Page Station 用户手册》或 Q-Sys Designer 联机帮助。

PS-X 尺寸

尺寸不包括话筒线。



CH

— 图 8 —

PS-X 规格

前面板

话筒	手持式、一键通、动态话筒
话筒对接界面	铁磁材料
状态 LED	“就绪”（绿色），“正忙”（红色）
状态 LED 电源	Q-Sys Page Station GPIO TTL 3.3 VDC @ 2 mA（数字“1”） 0 V（数字“0”）
后面板连接器	
RJ45	Cat 5e 连接一个 Q-Sys Page Station
尺寸（高x宽x深）	
话筒对接界面	5 in. x 5 in. x 3.56 in.（127.0 mm x 127.0 mm x 90.42 mm）
运输重量	2 磅（0.90 千克）



联系方式

通信地址

QSC Audio Products, LLC
1675 MacArthur Boulevard
Costa Mesa, CA 92626-1468 U.S.

总机

(714) 754-6175

网址

www.qscaudio.com

销售与营销部门

电话

(714) 957-7100 (国际)

免费电话 (仅限美国) (800) 854-4079

传真

(714) 754-6174

电子邮件

info@qscaudio.com

支持

24/7 支持

QSC 仅在 Q-Sys™ 网络音频系统上提供 24/7 支持。

完全支持

营业时间：6 AM 到 5 PM，太平洋时间（周一至周五）

电话：800-772-2834（仅限美国）

电话：+1 (714) 957-7150

传真：+1 (714) 754-6173

非营业时间和周末仅处理 Q-Sys 紧急事件*

电话：+1-888-252-4836（美国/加拿大）

电话：+1-949-791-7722（非美国）

* 对于非营业时间的呼叫，Q-Sys 支持团队成员将确保在 30 分钟内响应！

电子邮件

qsysupport@qscaudio.com

（不能确保即时响应电子邮件，有关紧急问题请拨打上述电话。）

