



Attero Tech by QSC unDX2IO+

Dante/AES67 network audio
Wall Plate - 4x2 mic/line I/O

Features

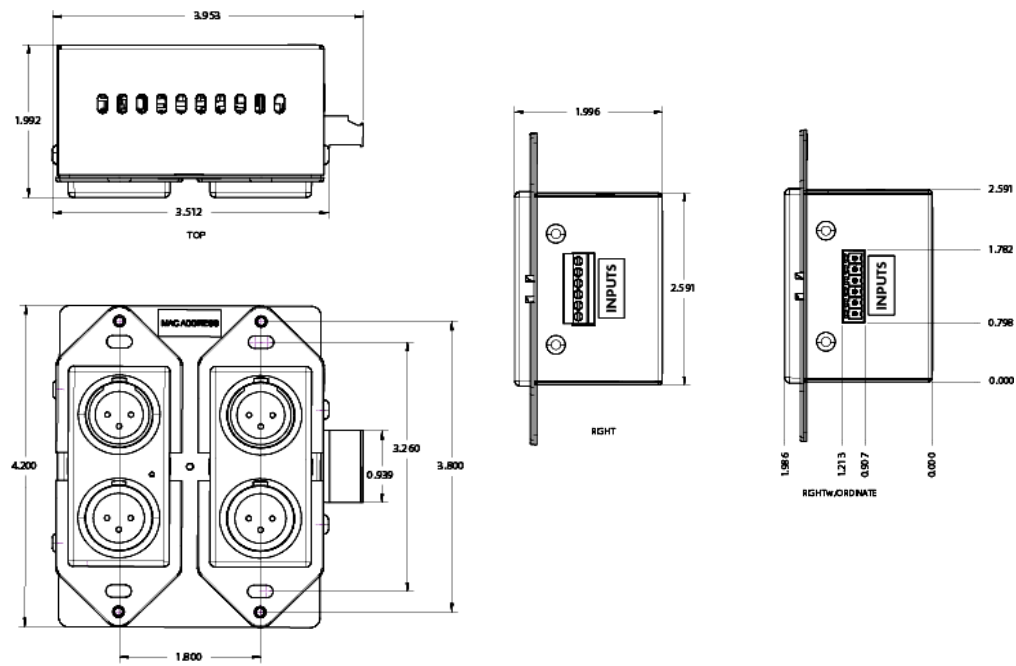
- Dante Domain Manager™ ready
- Small form factor allows for easy co-location near analog sources or sinks
- 802.3af compliant PoE powered
- Four input gains to accommodate common line levels, dynamic and phantom powered mics
- +48V phantom power per channel
- Analog output gain is software adjustable between 0 dB and -60 dB plus mute to accommodate all types of line input audio equipment - both consumer and professional levels
- Industry standard +20 dBu maximum input levels (at 0 dB input gain) and +20 dBu maximum output levels
- Product accessory kit available



Applications: Hotel Ballrooms • Spas • Fitness Facilities Convention Centers • Education • Conference Center

The unDX2IO+ is a cost-effective multi-IO Dante™ audio network wall plate. The unDX2IO+ features two balanced mic/line XLR inputs, two balanced XLR line outputs, and two balanced line outputs on depluggable connectors on the side of the unit. All inputs and outputs can be used simultaneously and all audio channels are available separately. The unDX2IO+ is designed to fit into all dual-gang US junction boxes, mud rings, and old work brackets. The unDX2IO+ is PoE enabled, so all connectivity (power, control, and data) is provided by a single CAT-5/6 cable. The wall plate's size and I/O density make it easy to put Dante connectivity wherever it's needed.

Dimensions:



unDX2IO+ Details

Audio Inputs	
Input types	3-pin XLR (balanced and RF filtered)
Gain	-18 dB, -3dB, +25dB, +40dB, software selectable
Input impedance	>1.8 K Ω at any gain setting
Maximum input levels: 1 & 2	+20 dBu @ 0 dB w/ -15 dB Pad +5 dBu @ 0 dB gain, -22 dBu @ +25 dB gain, -38 dBu @ +40 dB gain
Maximum input levels: 3 & 4	+4 dBu Mode: +20 dBu -10 dBV Mode: +12 dBu
Phantom power	+48v, software selectable

Audio Outputs	
Output type	Balanced line level with automatic muting on loss of Dante signal
Output gain	0 dB
Maximum output level	+20 dBu

Audio Performance	
EIN	-115 dBu (+40 dB gain)
THD+N	< -85 dBu @ 0 dB gain
Frequency response	< 0.05% at any gain, input signal 3 dB below maximum

Dante Network	
Physical level	Standard ethernet
Connector	Single RJ-45
Cable quality	CAT-5e or better
Transmission speed	100 Mbps
Supported sample rates	44.1 kHz, 48 kHz
Minimum Dante network latency	1 ms

General	
Dimensions (HWD)	4.2 x 3.5 x 2 in (114.3 x 88.9 x 50.8 mm)
Weight	0.6 lb (.27 kg)
Operating temperature	0 to 40° C
Regulatory compliance	FCC CFR 47 Parts 15B Class A ICES-003 CE (EN55022) RoHS REACH

Environmental	
PoE	802.3af PoE PD compliant
Power consumption	< 5 W max

