

4

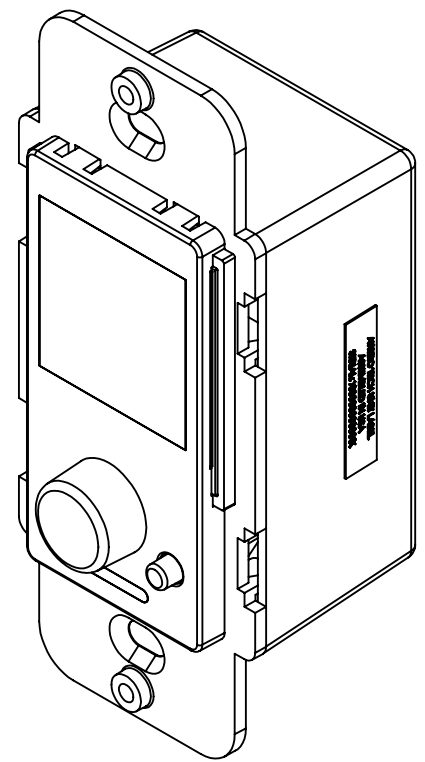
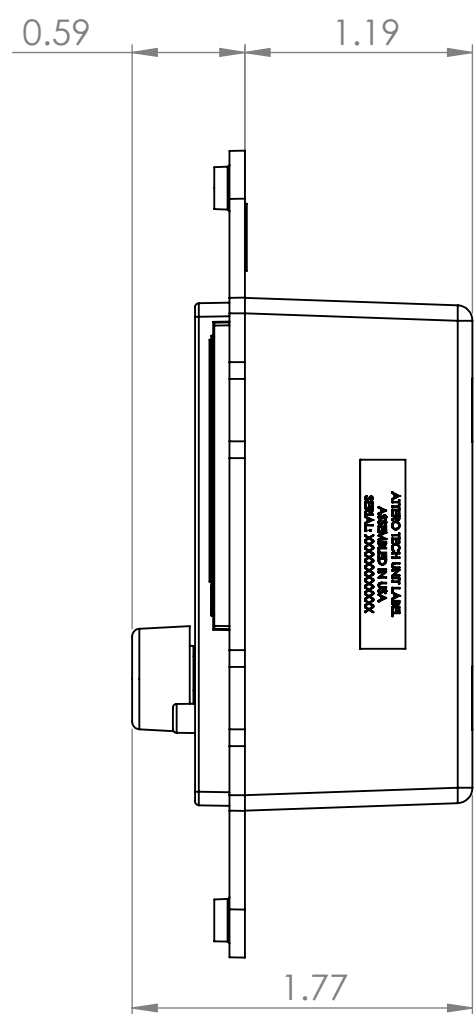
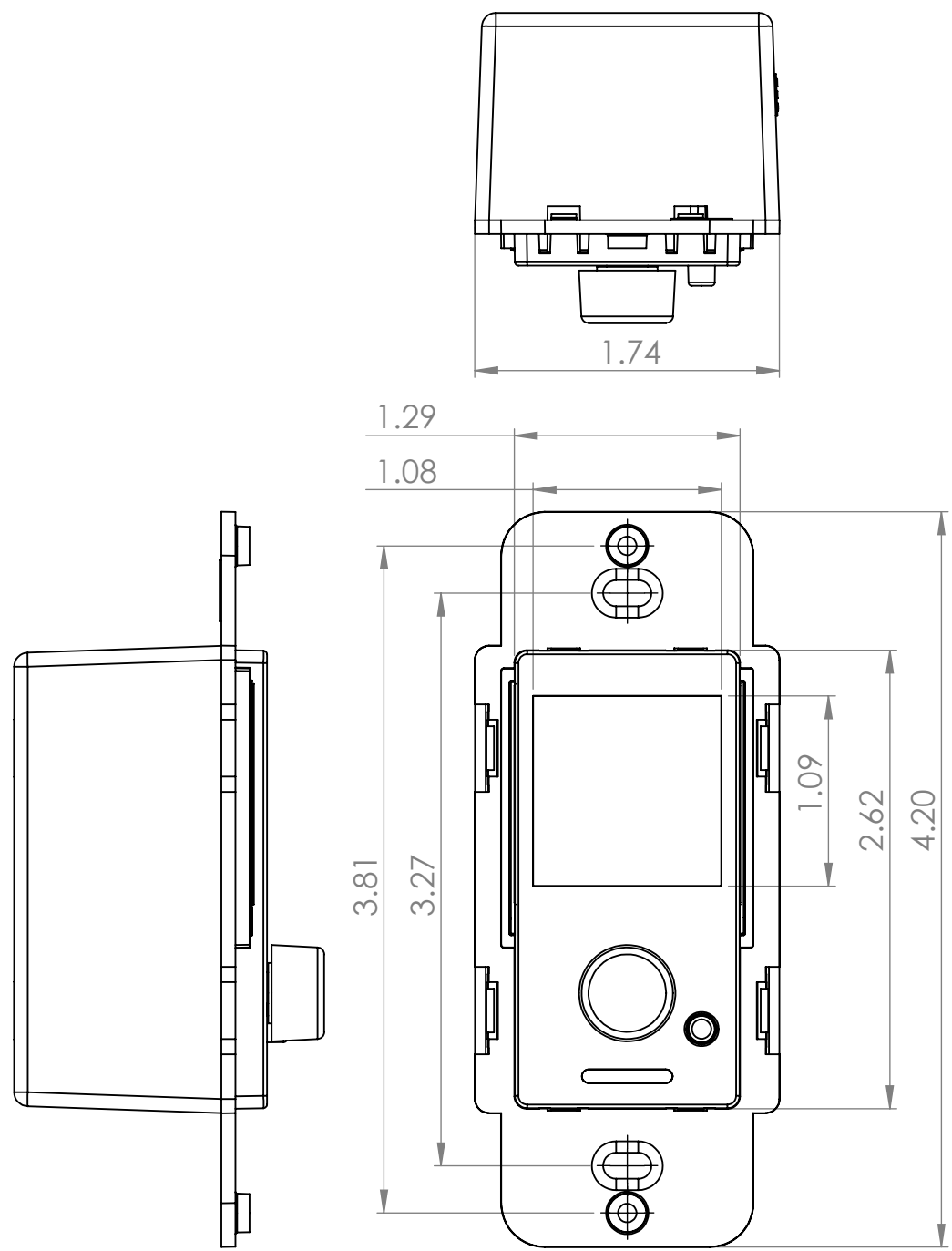
3

2

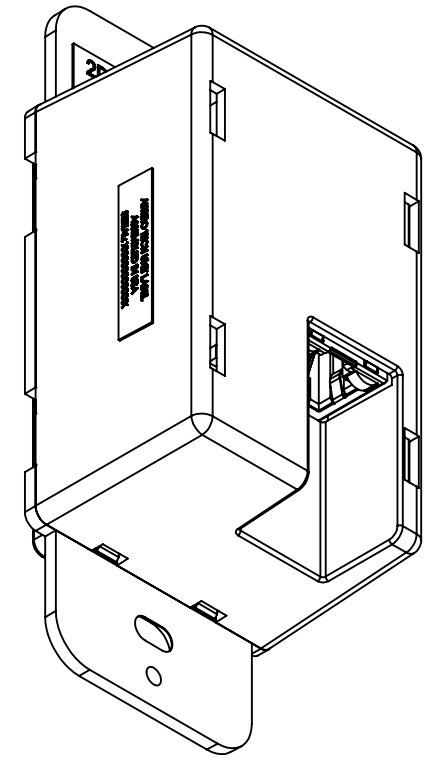
1

B

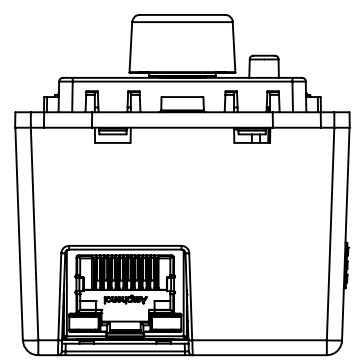
B



FRONT ISOMETRIC VIEW



REAR BOTTOM ISOMETRIC VIEW



4


3

2

1

A

A

MATERIAL: ABS / UV				CLIENT NAME: (C) 2018 ATTEROTECH	
FINISH:				PART NO. 711-00006-01	
UNLESS OTHERWISE SPECIFIED: DIMENSIONS ARE IN INCHES TOLERANCE: ANGLE +/- 1 DEG X.XX= +/- 0.01" X.XXX= +/- 0.010" DO NOT SCALE DRAWING		DESIGNER MCH		DATE 10/4/2018	
		CUSTOMER		DATE	
THE INFORMATION CONTAINED IN THIS DOCUMENT IS ISSUED IN STRICT CONFIDENCE AND SHALL NOT, WITHOUT PRIOR WRITTEN PERMISSION OF THE CLIENT BE REPRODUCED, COPIED OR USED FOR ANY PURPOSE WHATSOEVER AND MUST BE RETURNED UPON REQUEST.		MFG		DATE	
		APPROVED		DATE	
		DESCRIPTION UNIT ASY, ATTERO TECH, AXON C1, WALL CONTROLLER, US			
		SIZE B	CUST NO.	DWG. NO. 711-00006-01	DOC REV. 1.0
		SCALE 1:1	SHEET TITLE		SHEET 1 OF 1