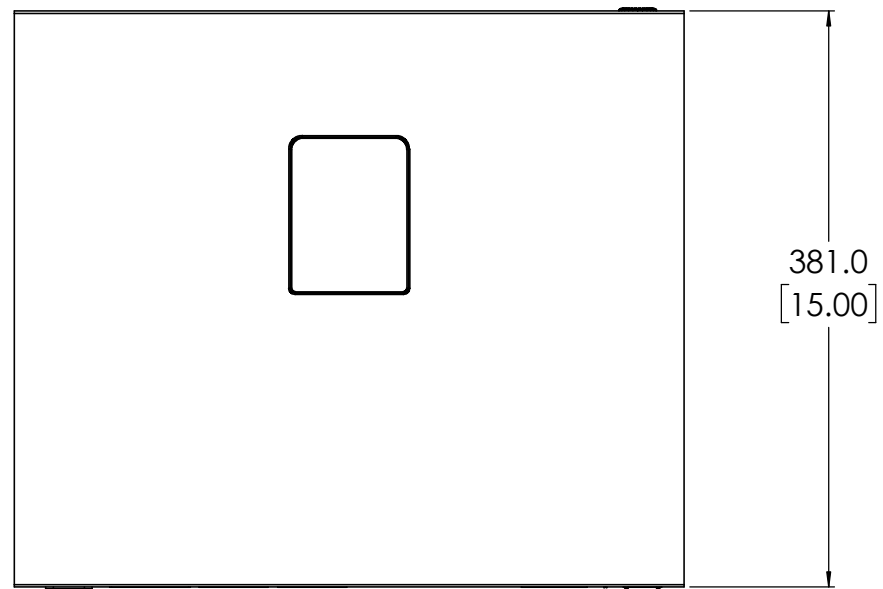
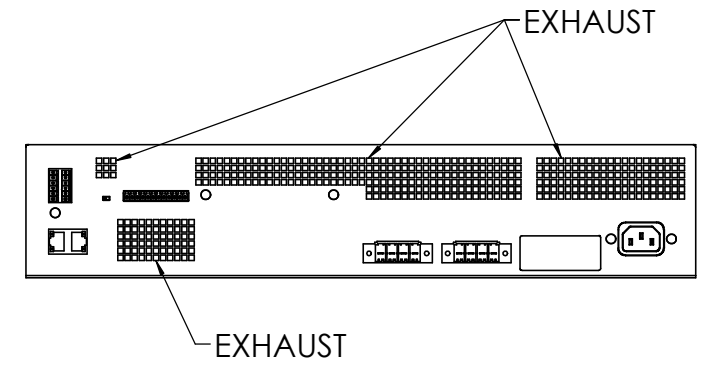
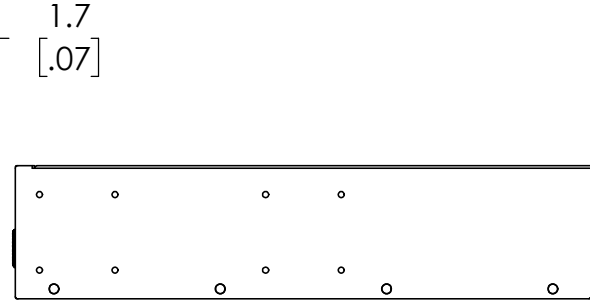
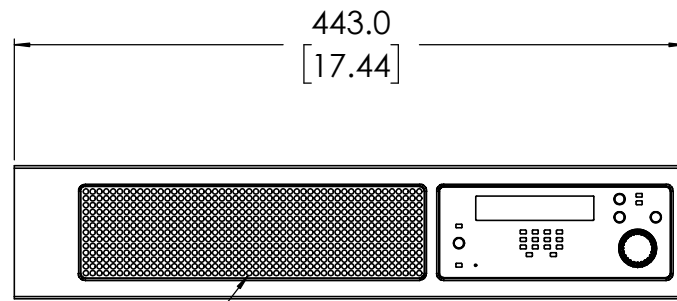
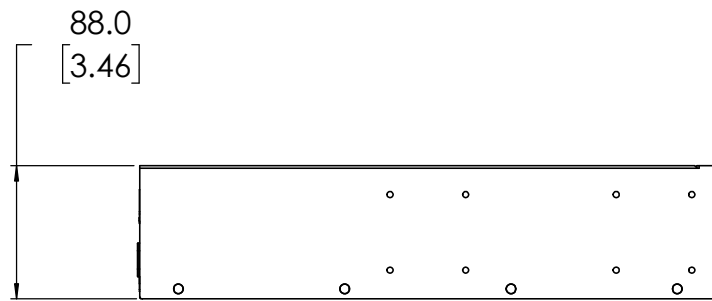
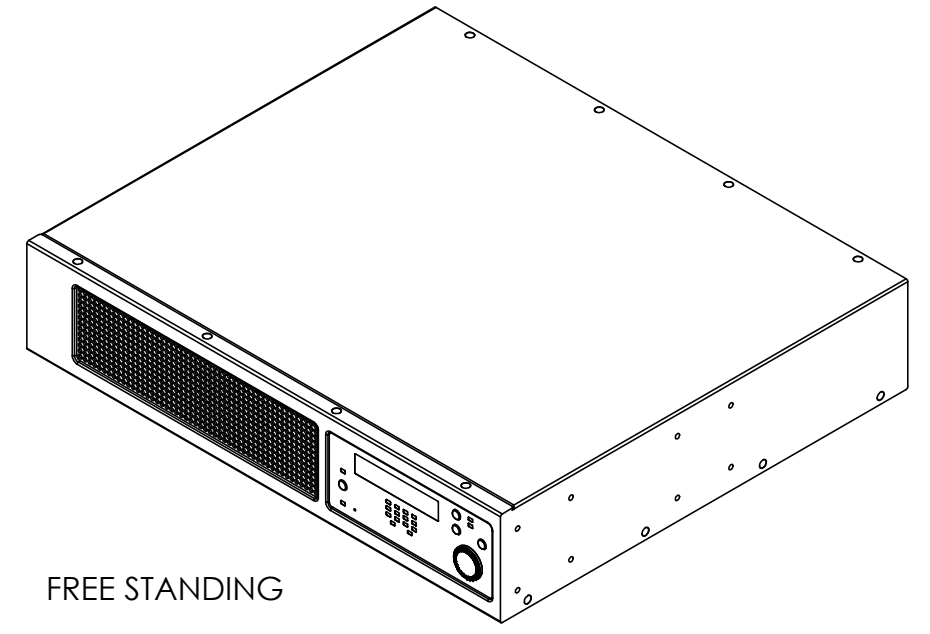
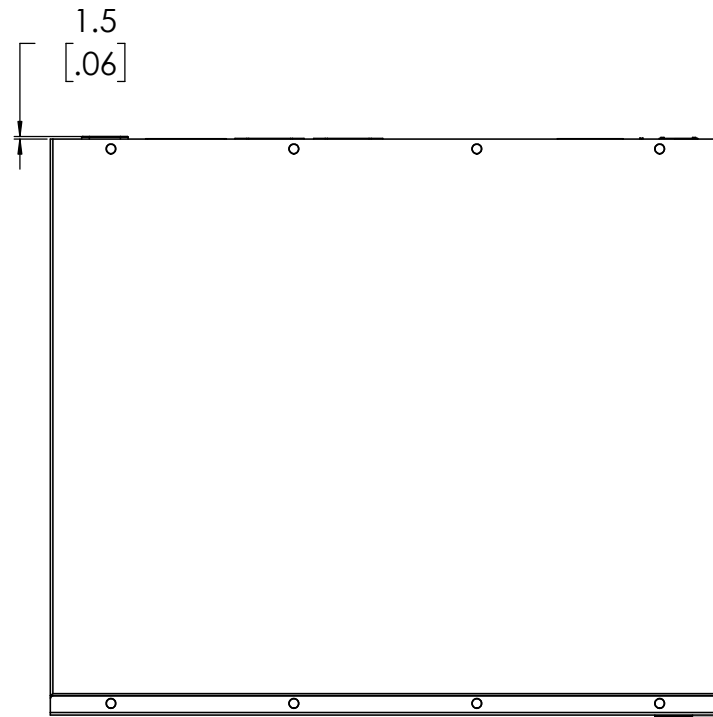
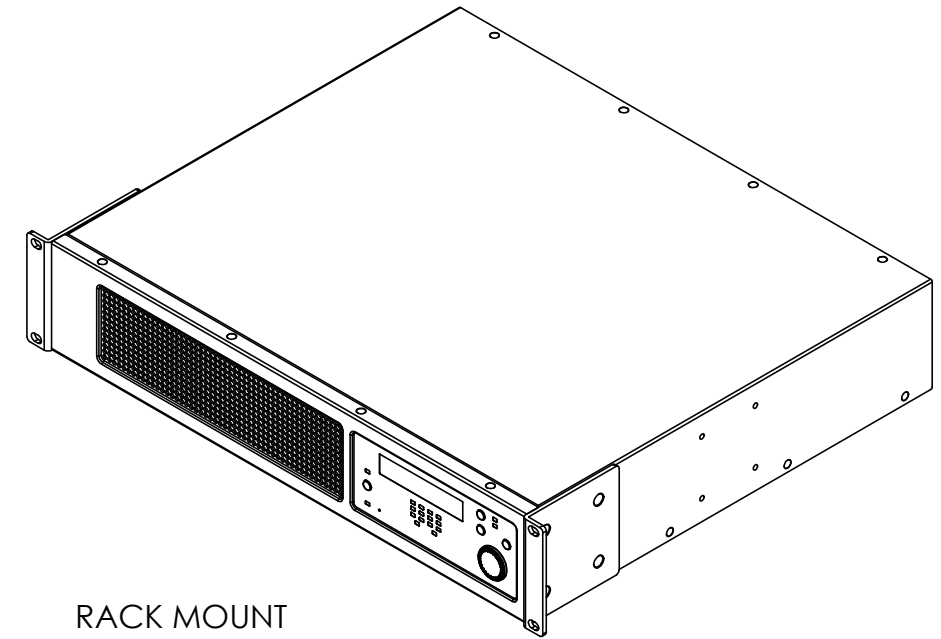
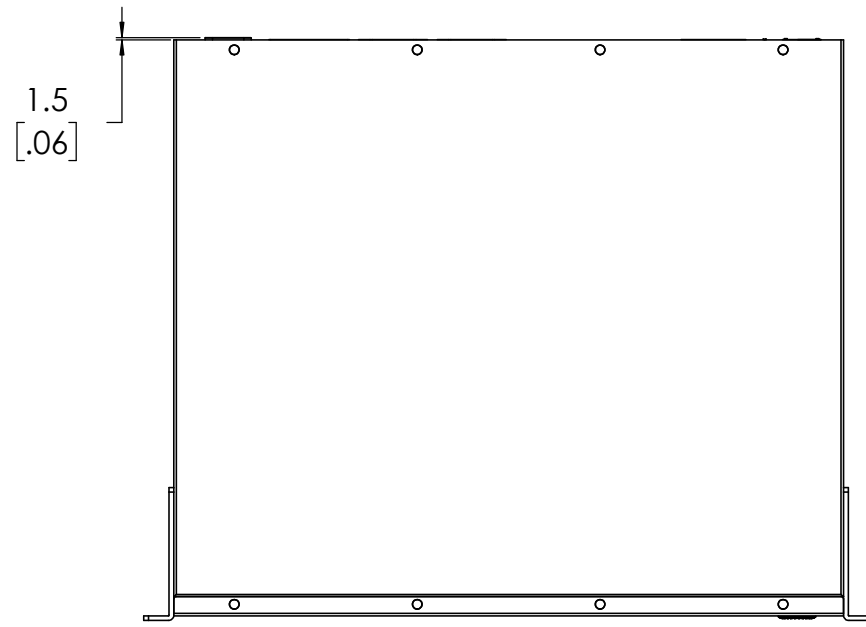


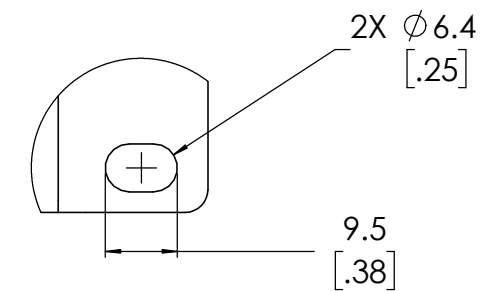
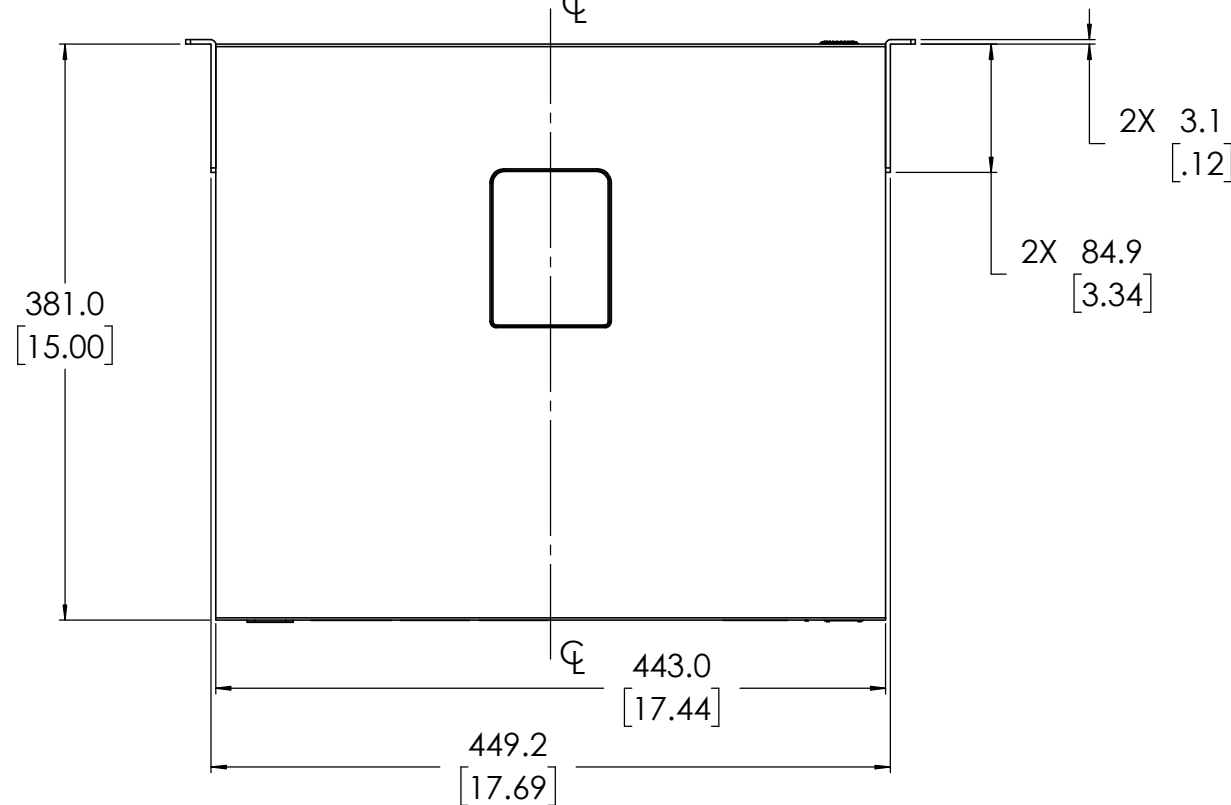
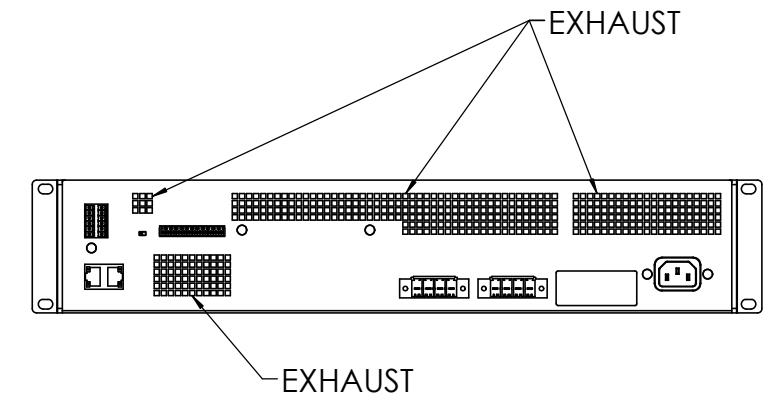
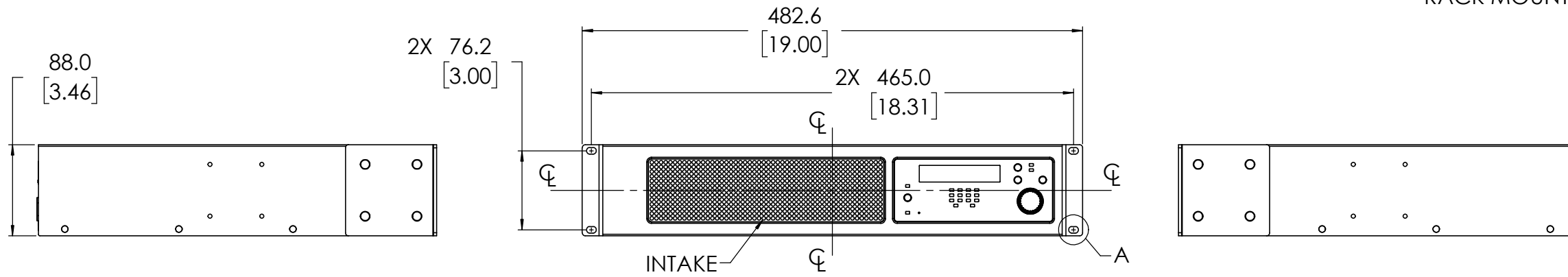
NOTES: UNLESS OTHERWISE SPECIFIED

1. NET WEIGHT IS APPROXIMATELY 9.4 KG [20.7 LBS].
2. PRODUCT IS SYMMETRIC ABOUT CENTERLINES WHERE INDICATED.

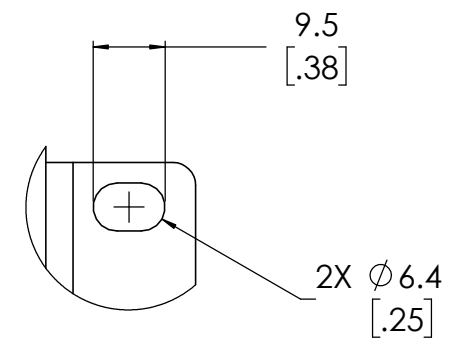
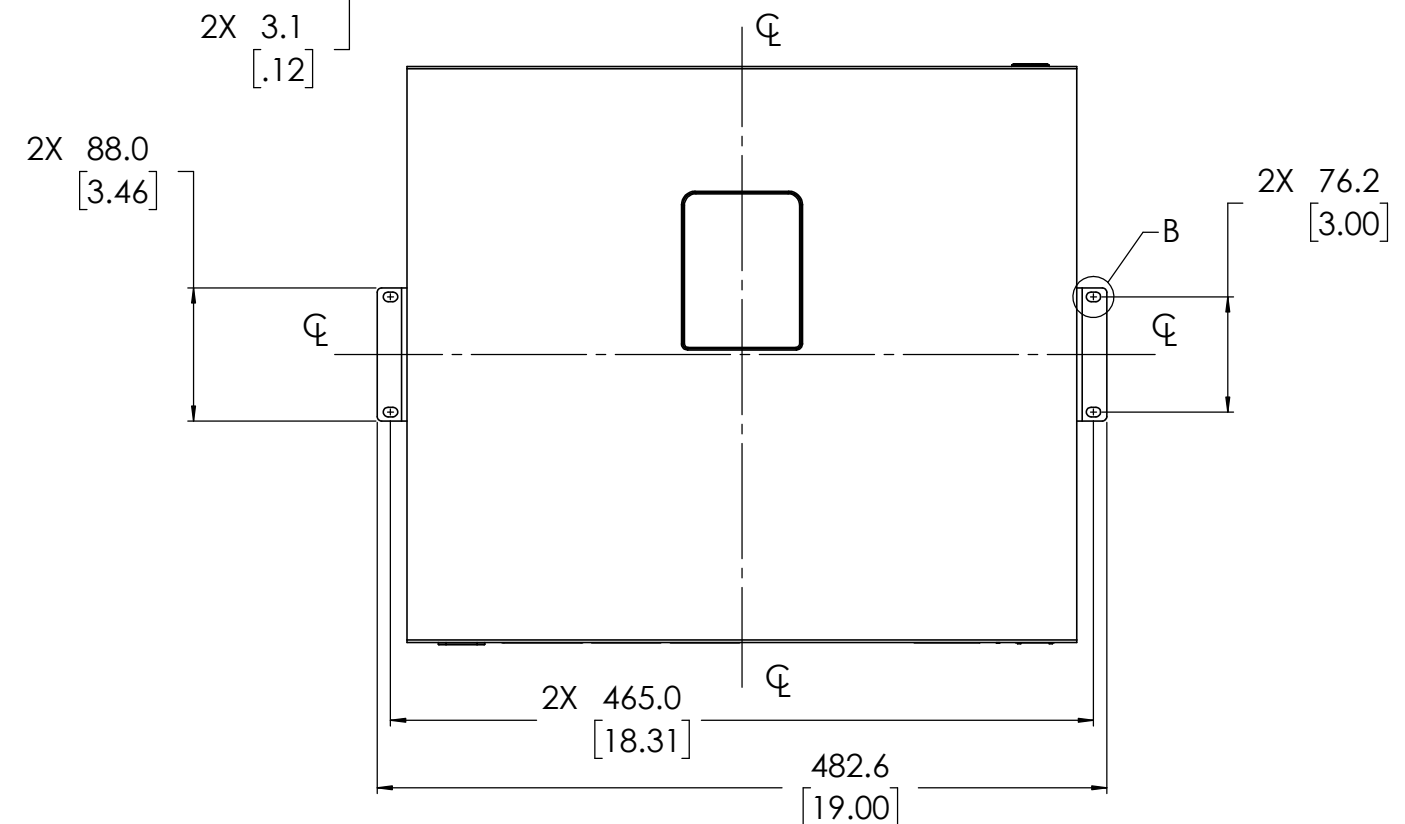
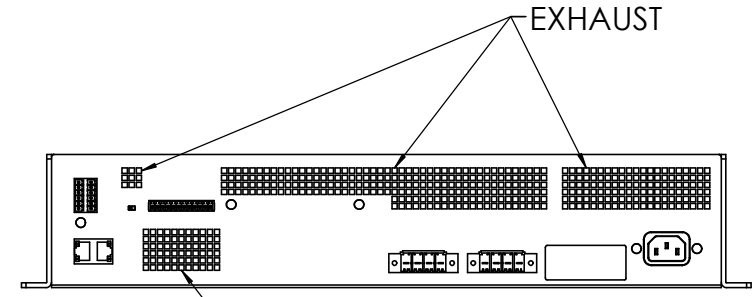
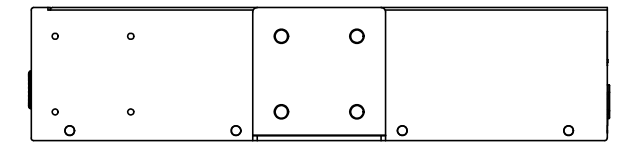
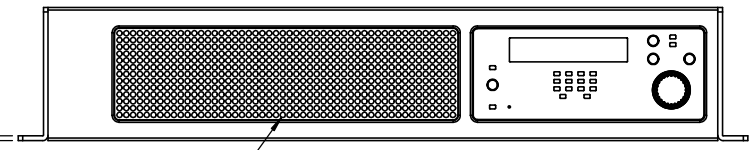
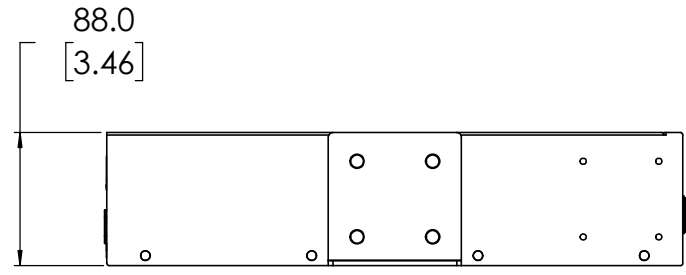
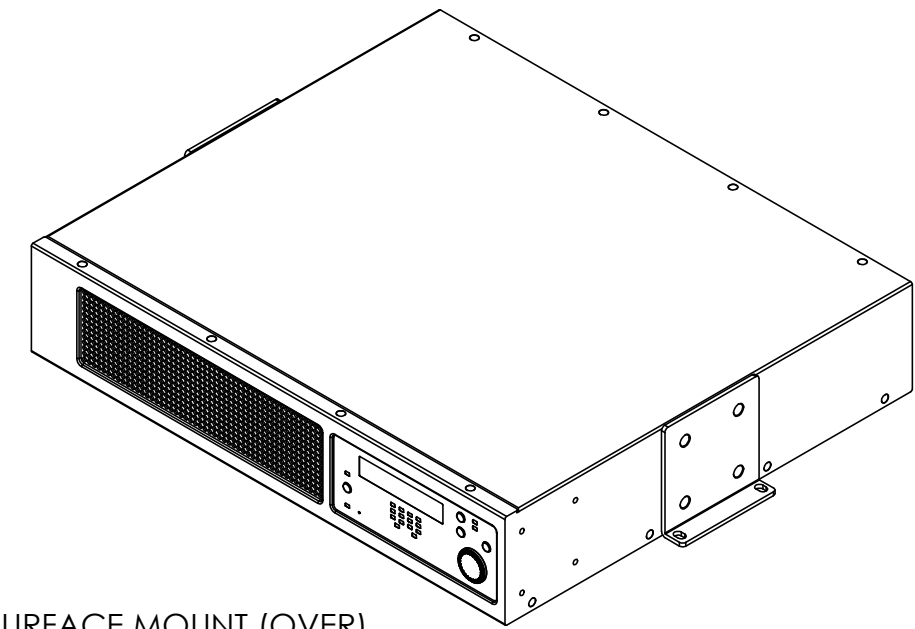
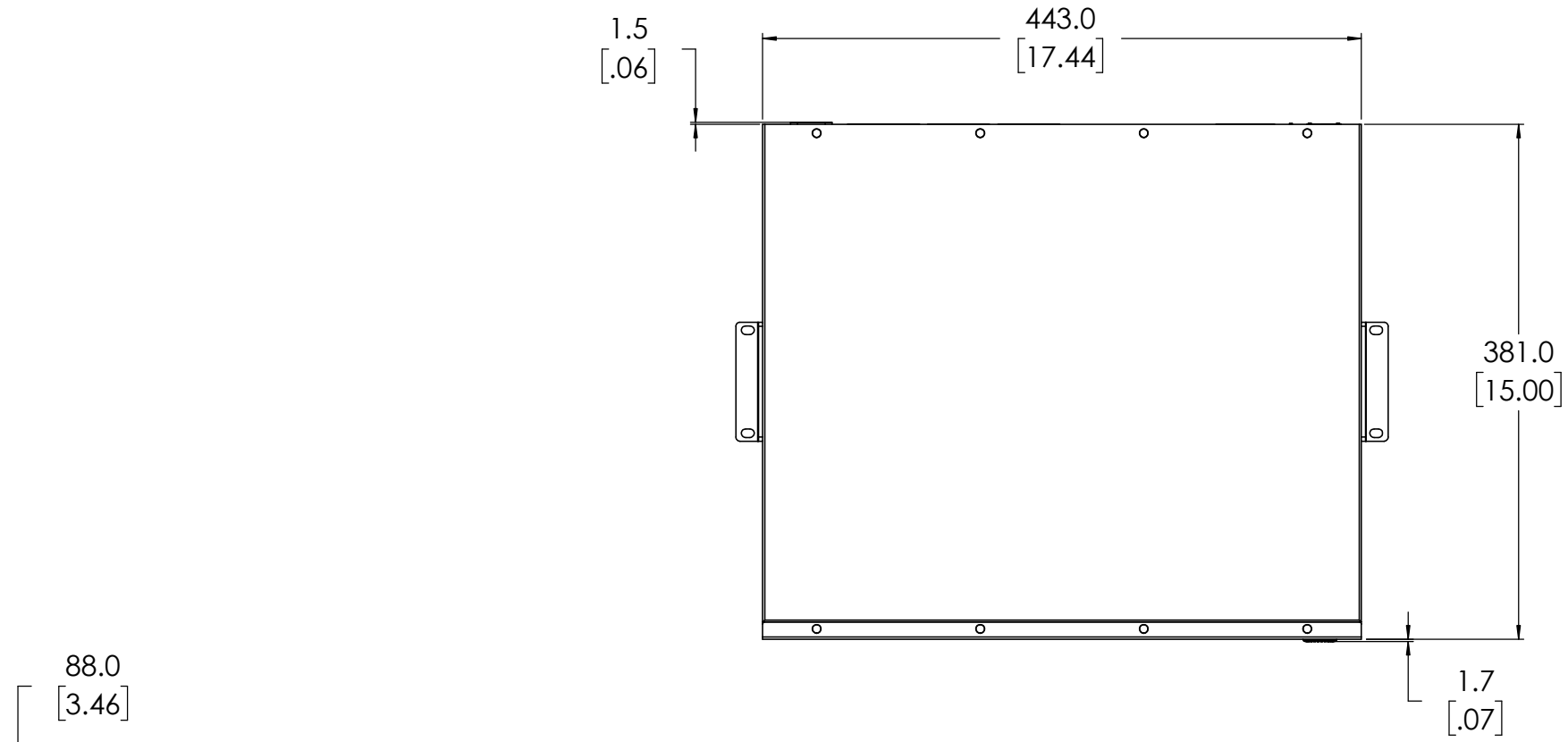




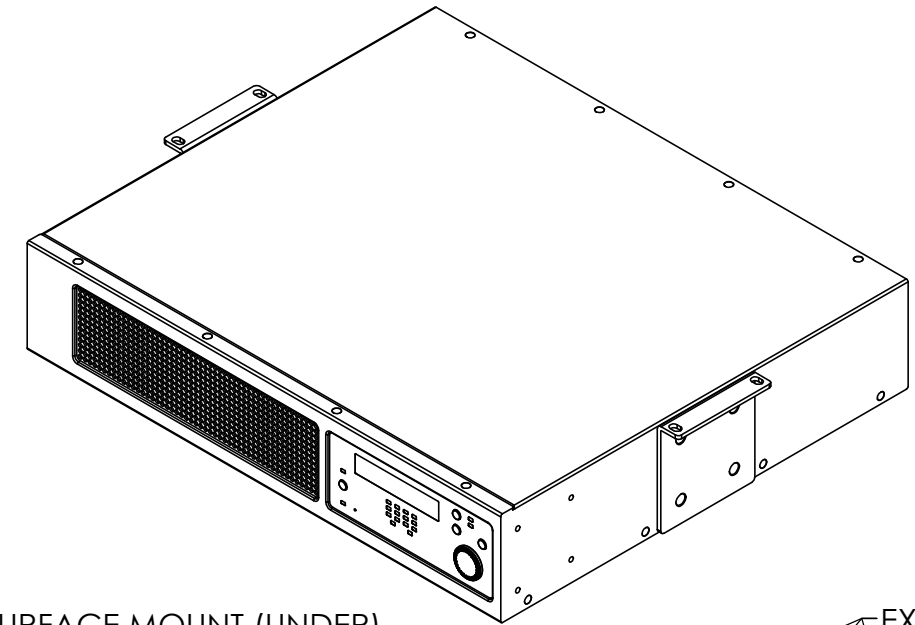
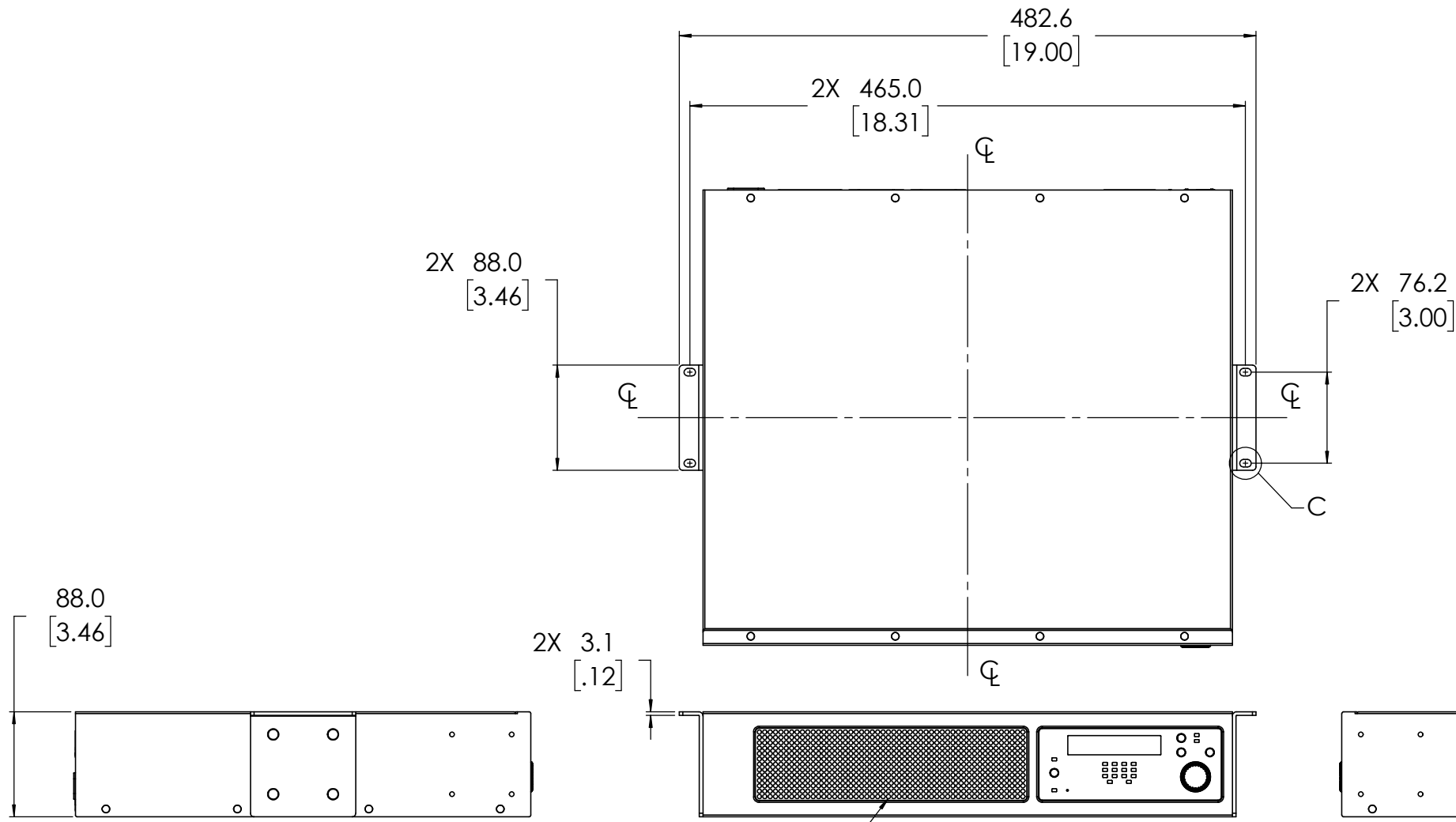
RACK MOUNT



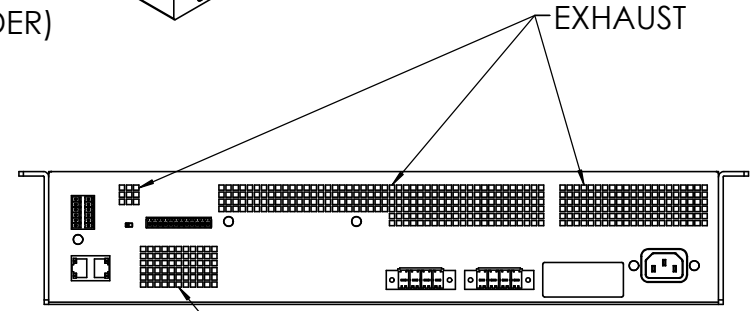
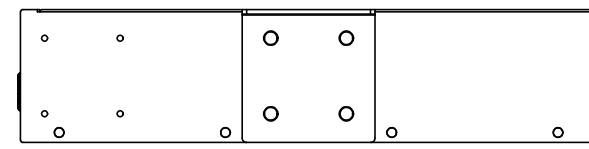
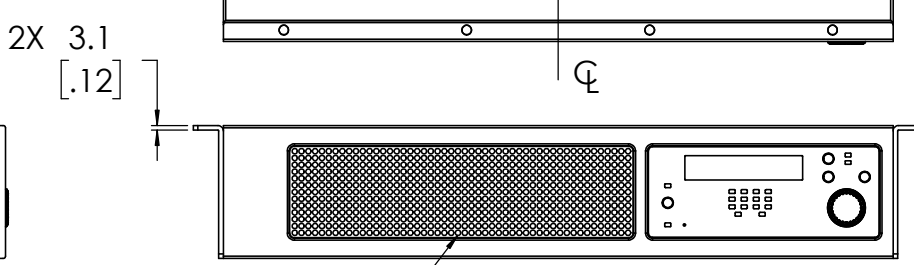
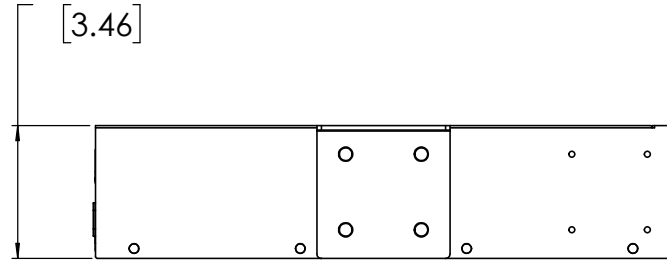
DETAIL A
MOUNTING EYELET
4 PLACES
SCALE 1 : 1



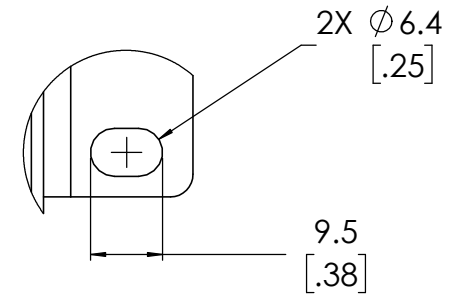
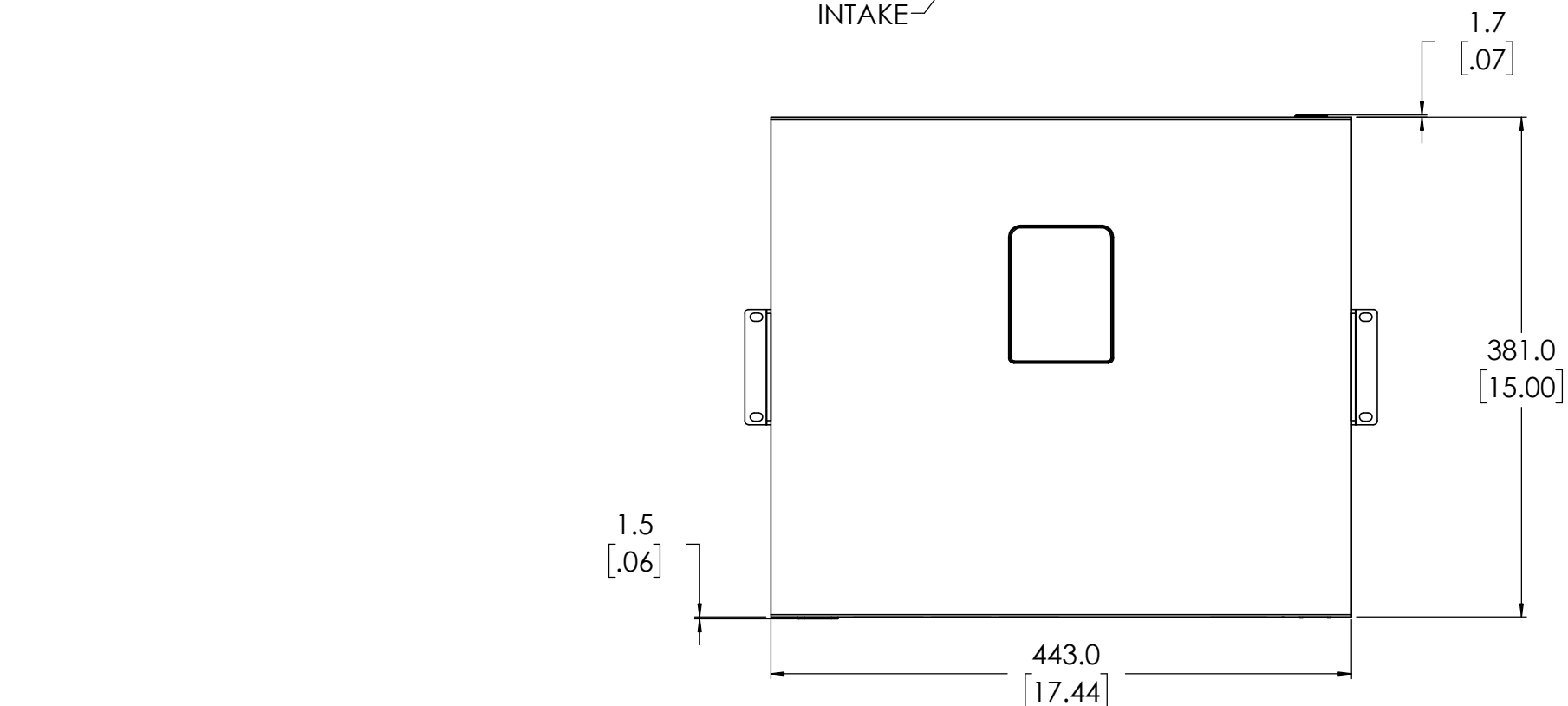
DETAIL B
MOUNTING EYELET
4 PLACES
SCALE 1 : 1



SURFACE MOUNT (UNDER)



EXHAUST



DETAIL C
MOUNTING EYELET
4 PLACES
SCALE 1 : 1