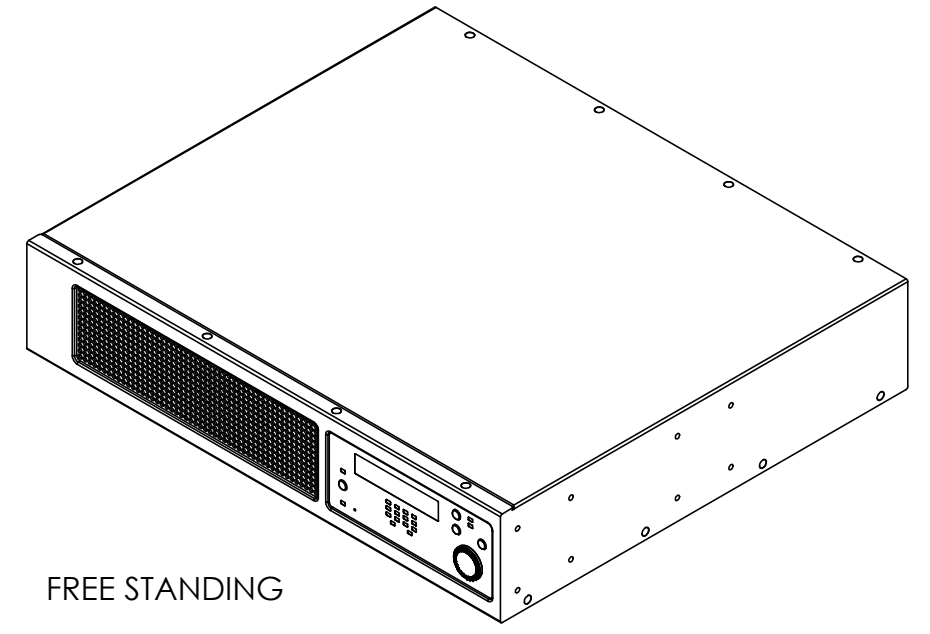
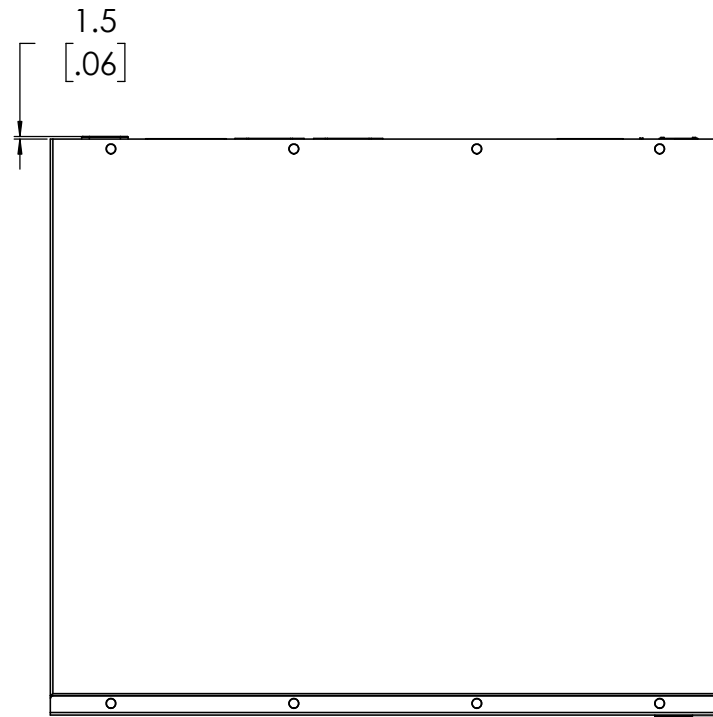
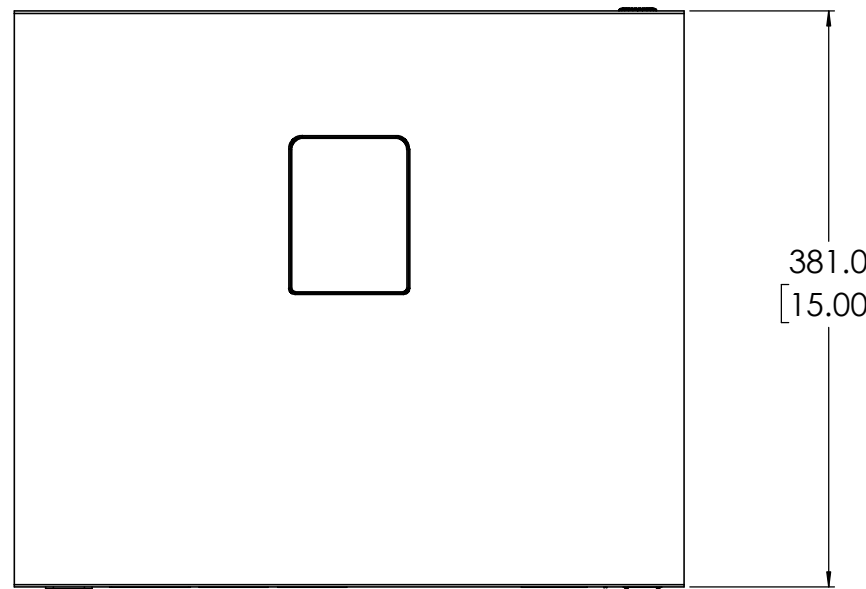
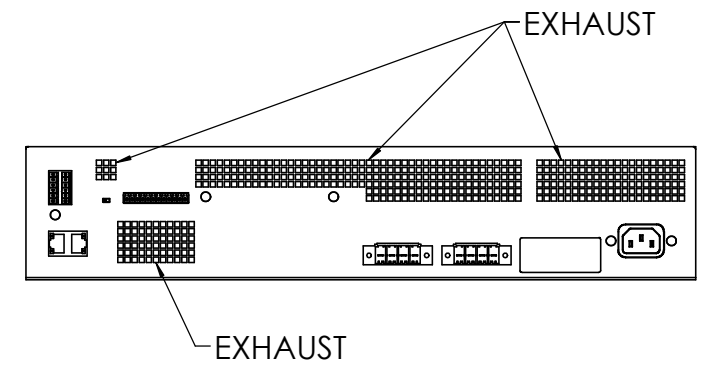
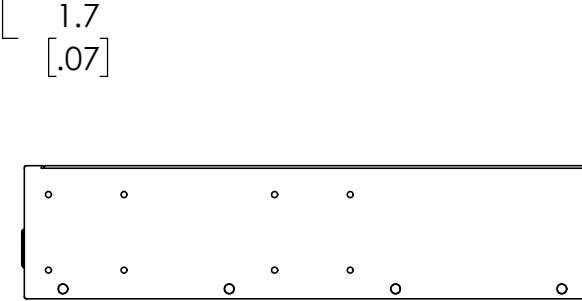
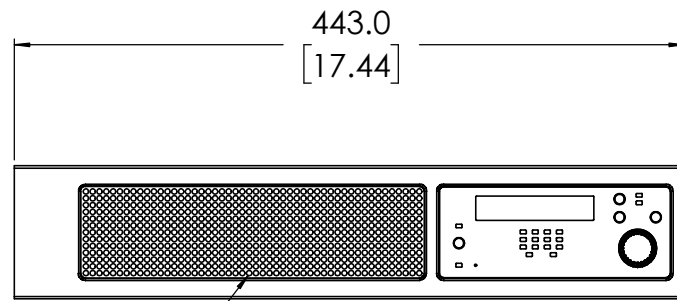
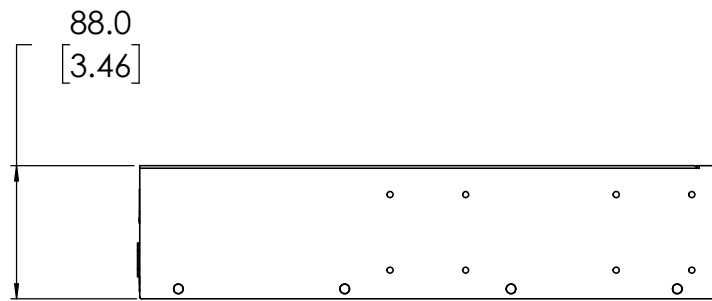


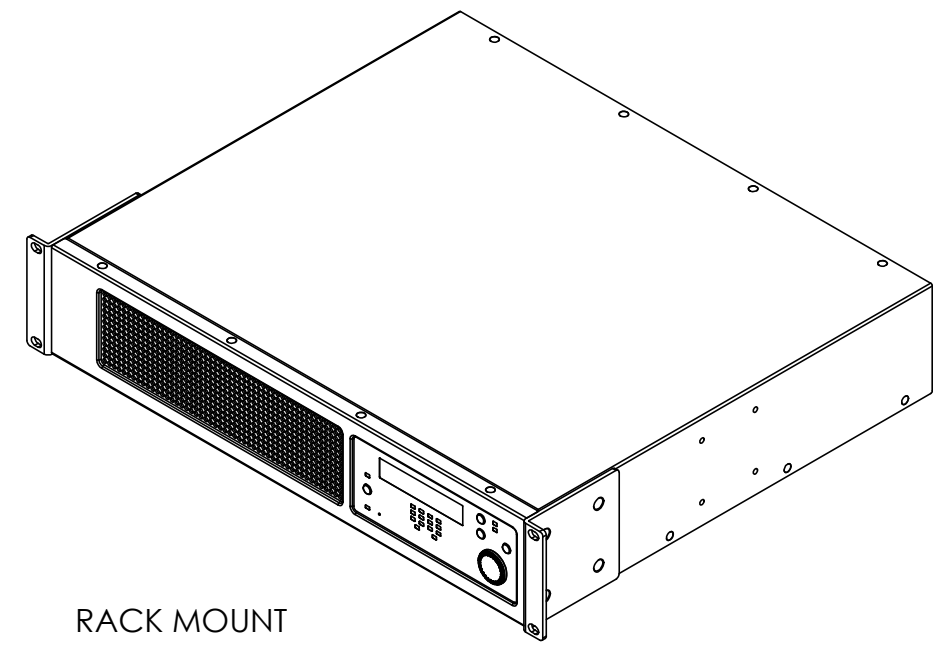
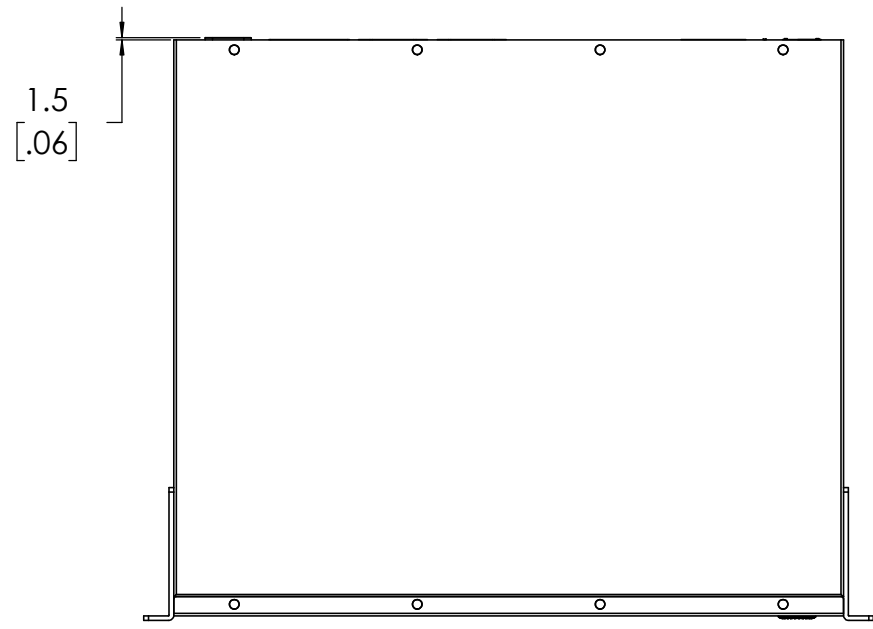
NOTES: UNLESS OTHERWISE SPECIFIED

1. NET WEIGHT IS APPROXIMATELY 9.0 KG [19.9 LBS].
2. PRODUCT IS SYMMETRIC ABOUT CENTERLINES WHERE INDICATED.

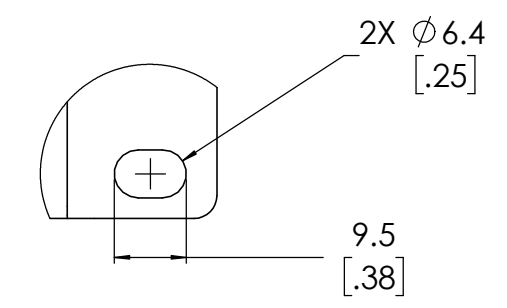
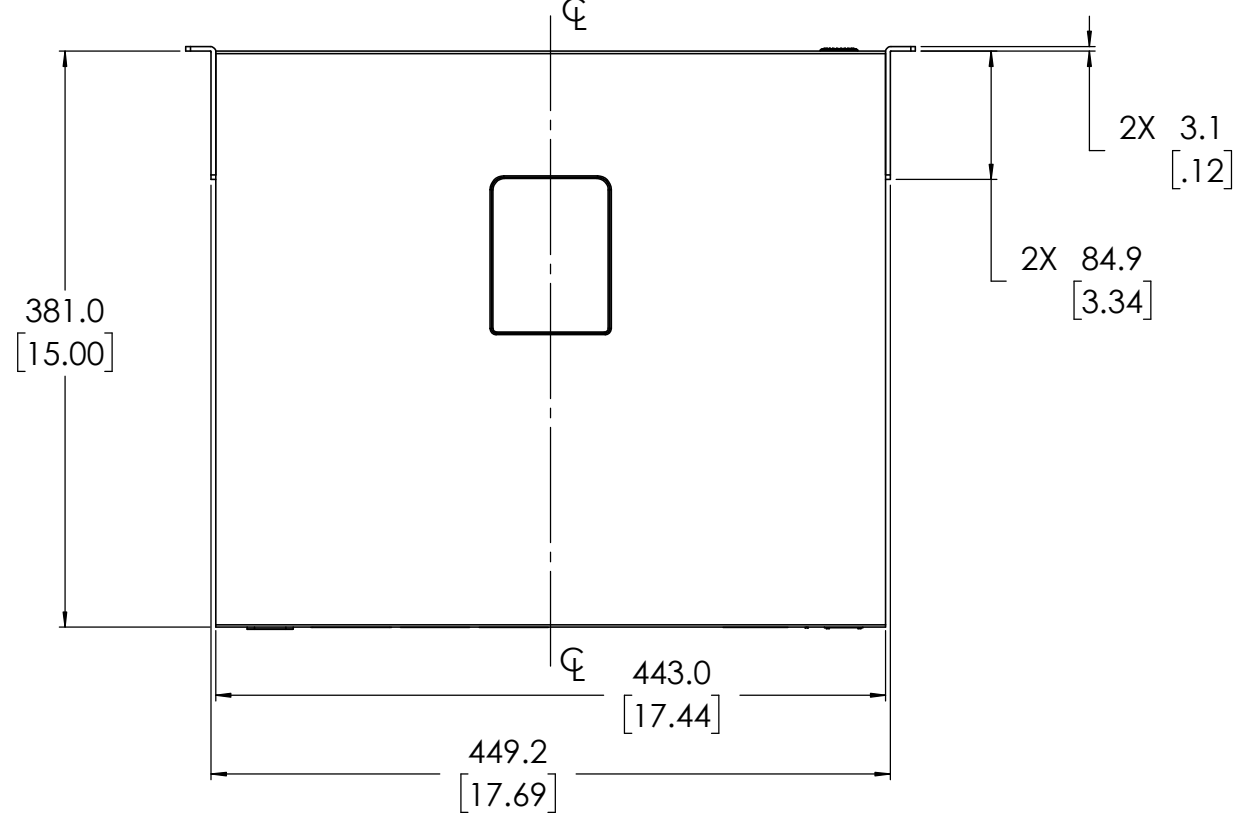
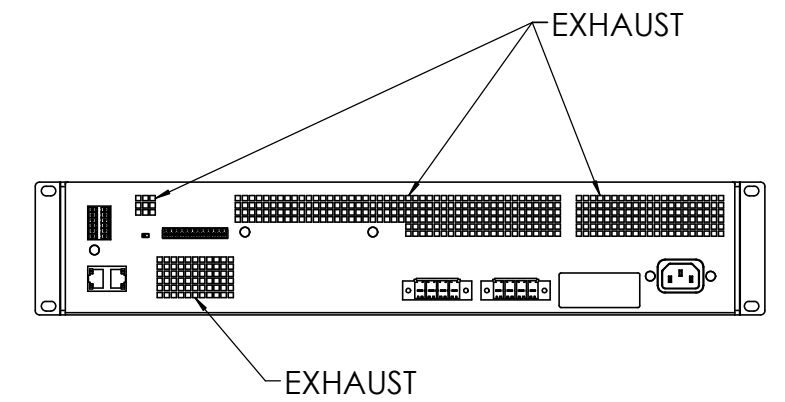
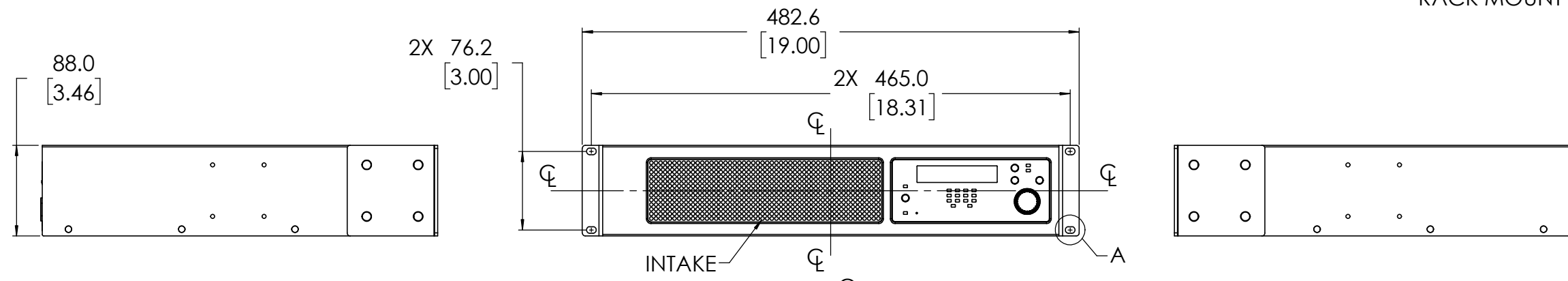


FREE STANDING

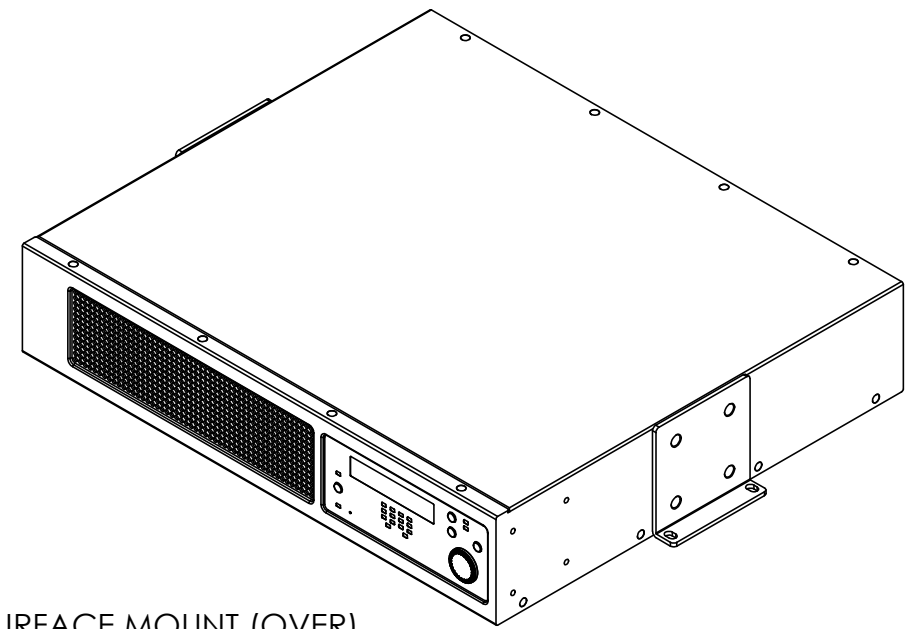
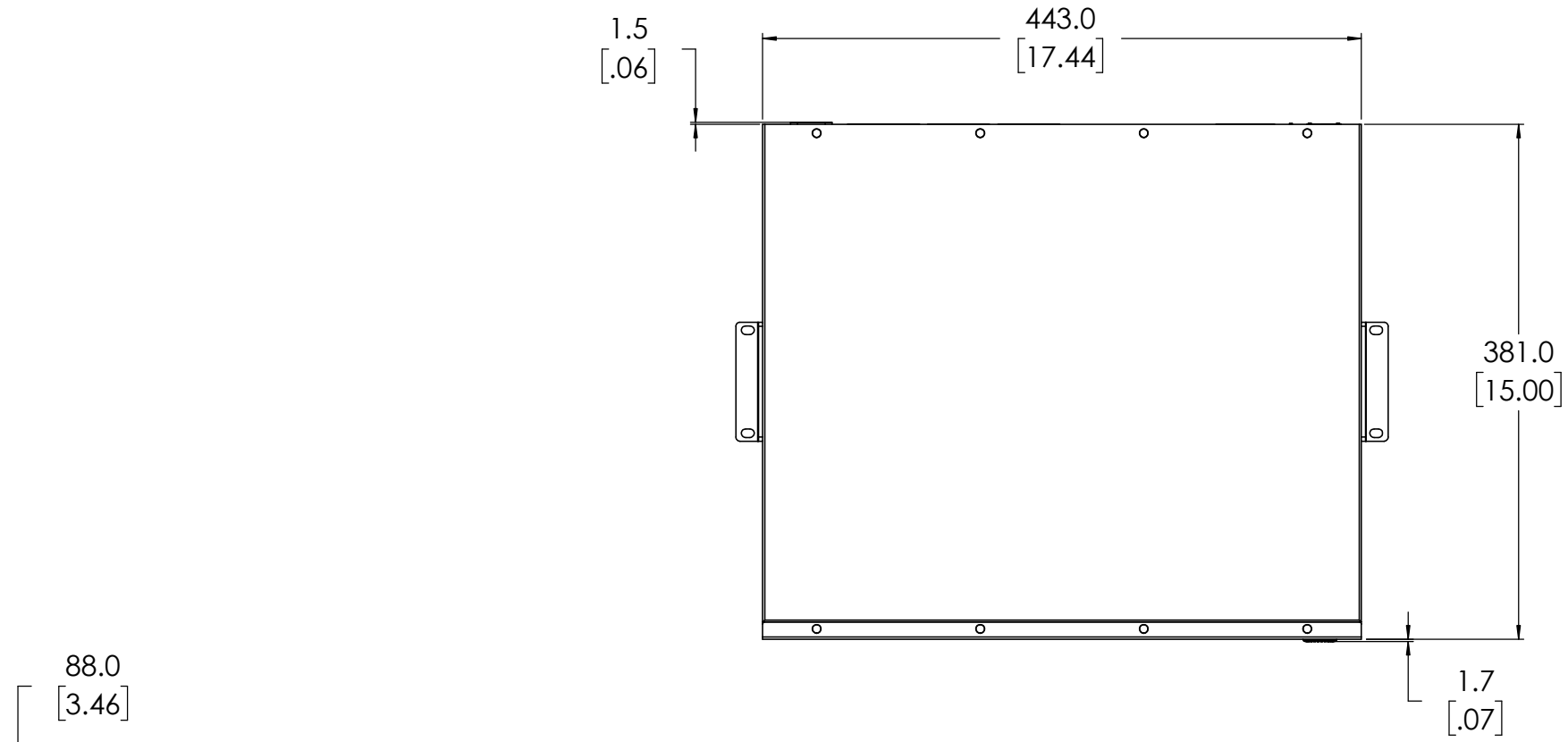




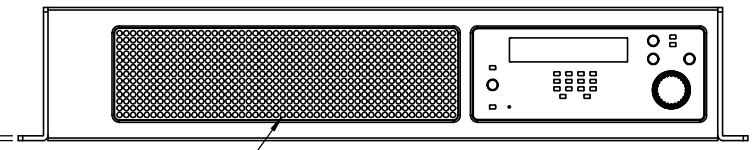
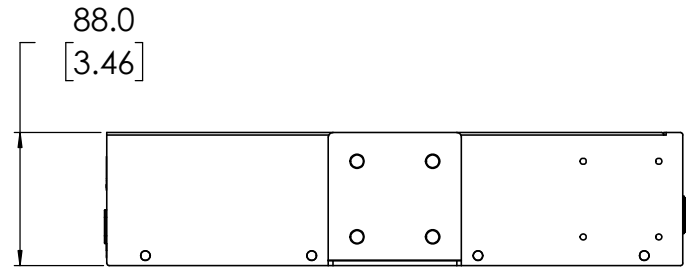
RACK MOUNT



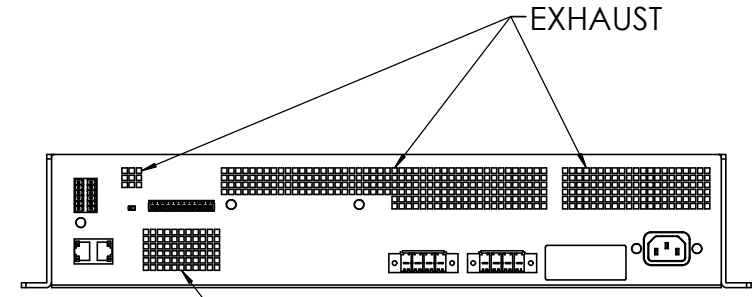
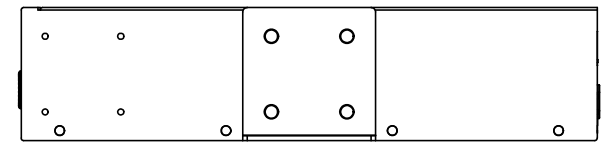
DETAIL A  
MOUNTING EYELET  
4 PLACES  
SCALE 1 : 1



SURFACE MOUNT (OVER)

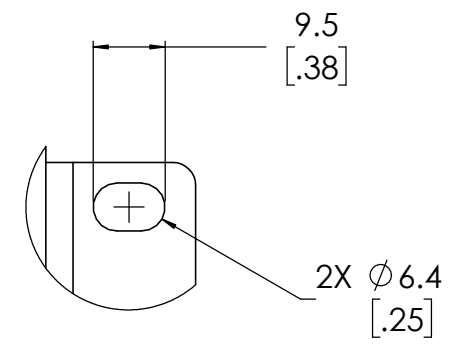
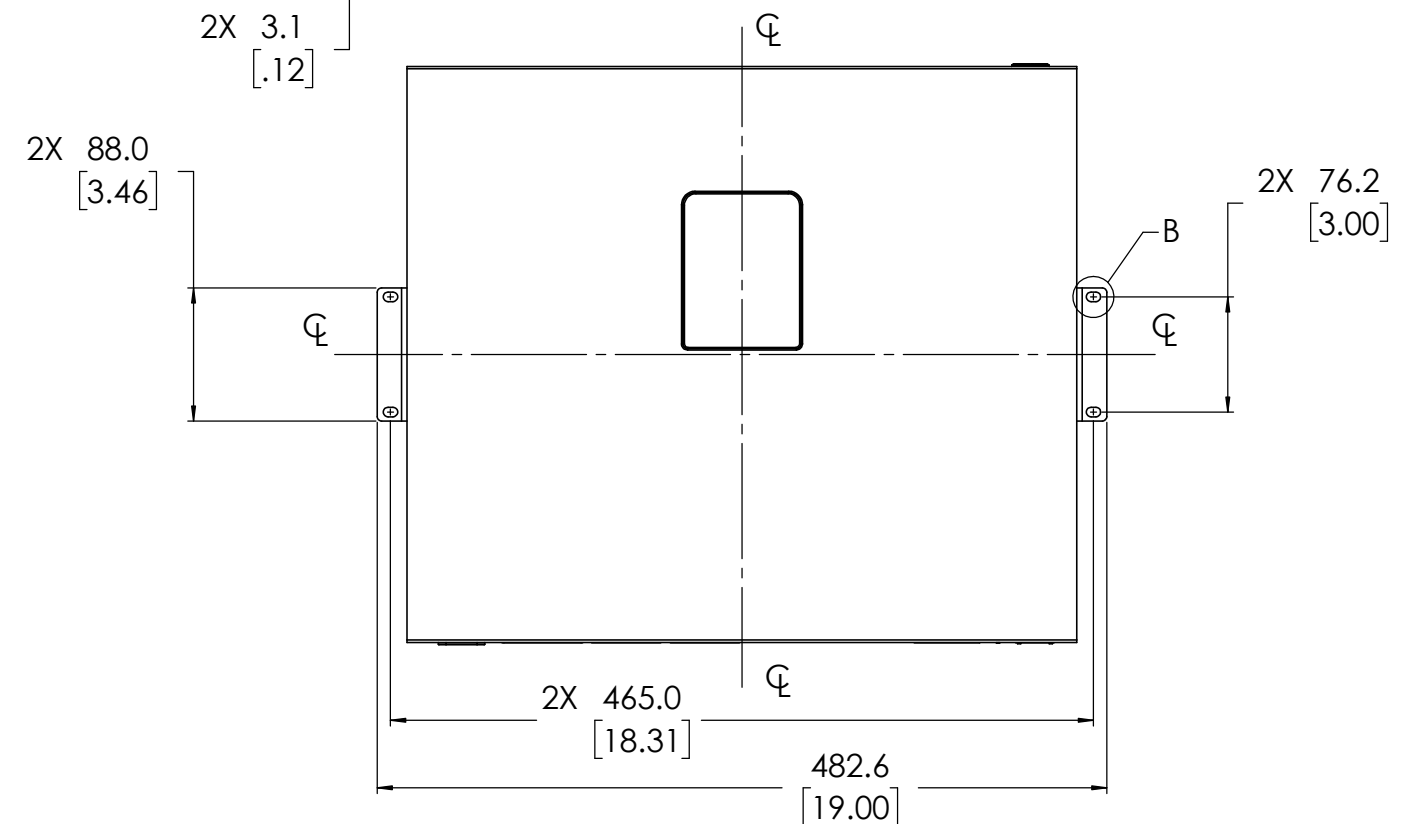


INTAKE

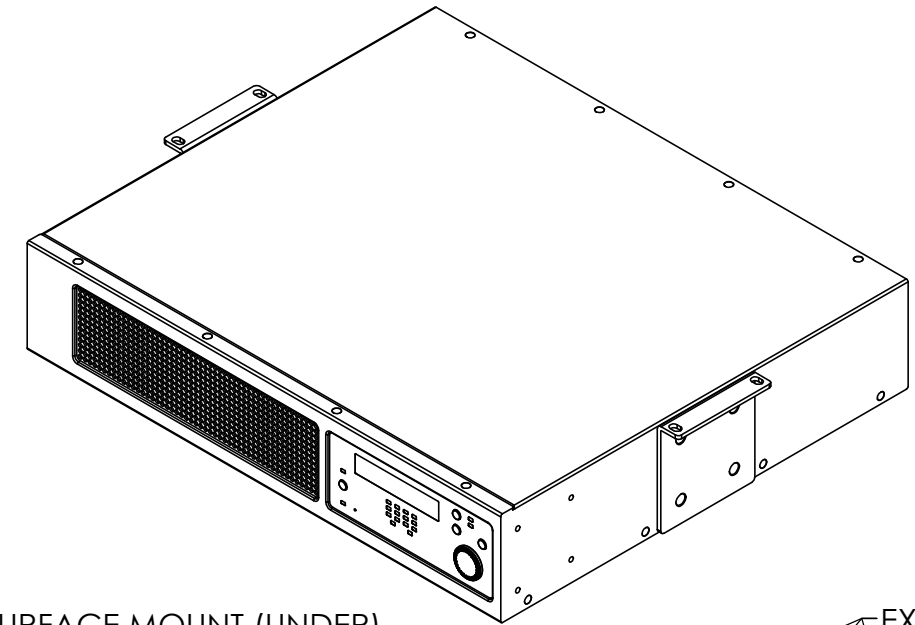
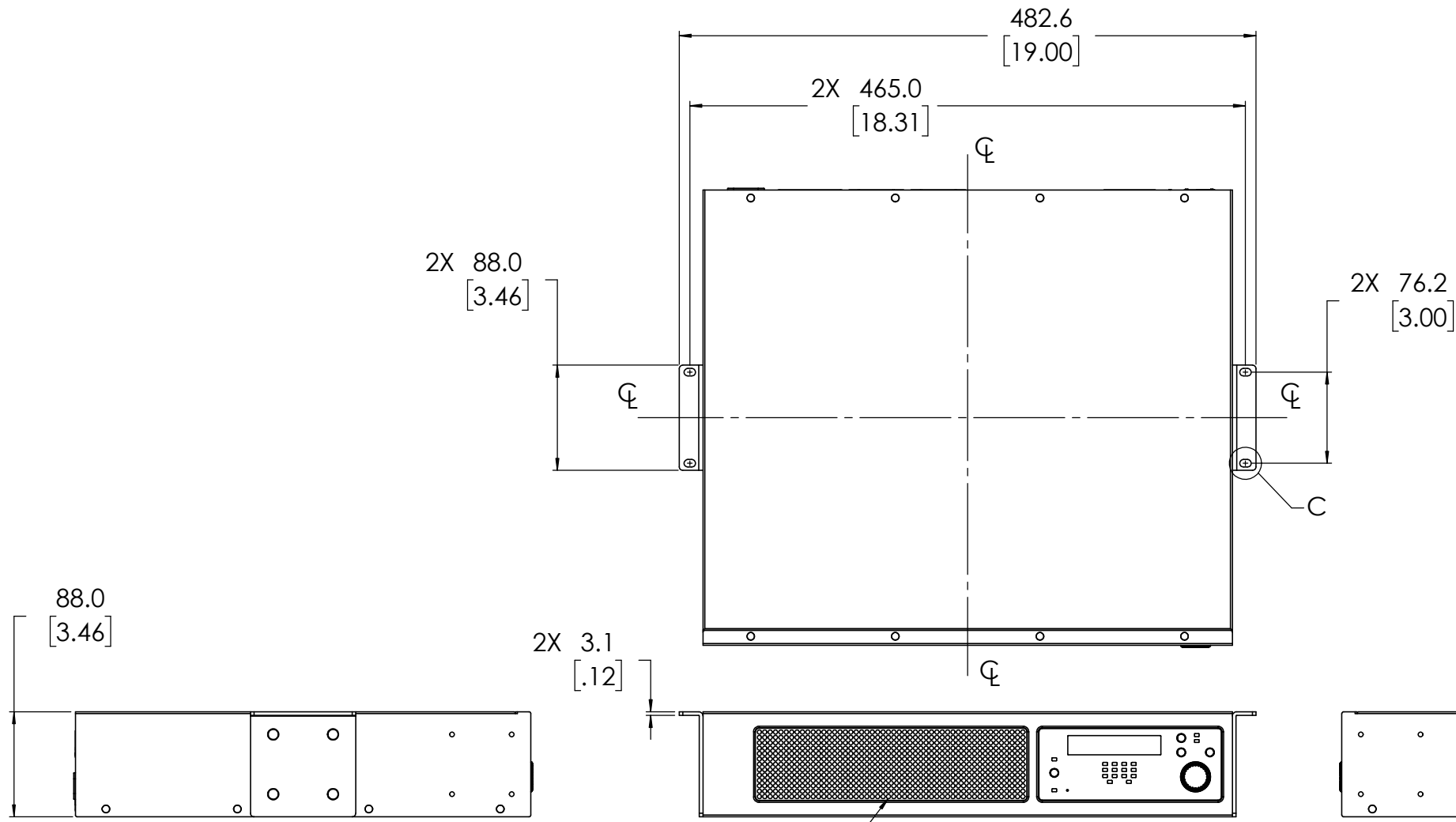


EXHAUST

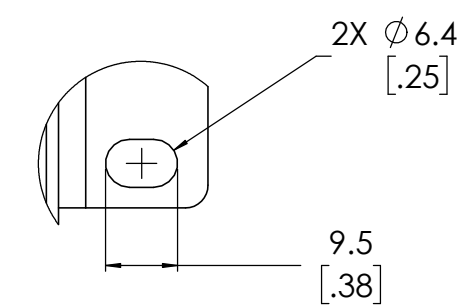
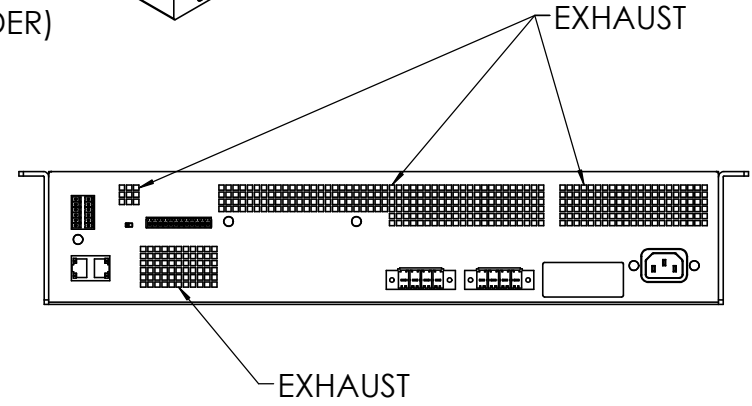
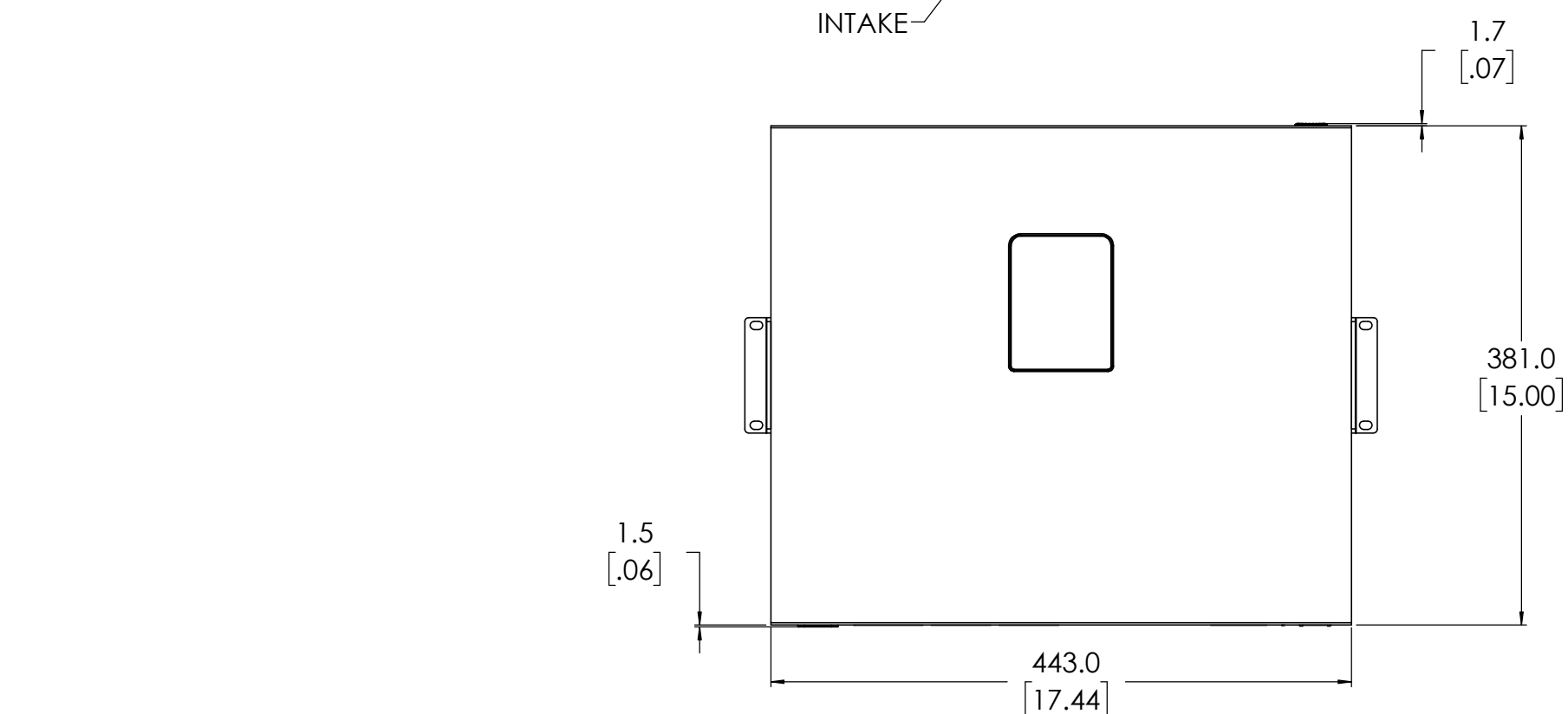
EXHAUST



DETAIL B  
MOUNTING EYELET  
4 PLACES  
SCALE 1 : 1



SURFACE MOUNT (UNDER)



DETAIL C  
MOUNTING EYELET  
4 PLACES  
SCALE 1 : 1